



Chipsmall Limited consists of a professional team with an average of over 10 year of expertise in the distribution of electronic components. Based in Hongkong, we have already established firm and mutual-benefit business relationships with customers from,Europe,America and south Asia,supplying obsolete and hard-to-find components to meet their specific needs.

With the principle of “Quality Parts,Customers Priority,Honest Operation,and Considerate Service”,our business mainly focus on the distribution of electronic components. Line cards we deal with include Microchip,ALPS,ROHM,Xilinx,Pulse,ON,Everlight and Freescale. Main products comprise IC,Modules,Potentiometer,IC Socket,Relay,Connector.Our parts cover such applications as commercial,industrial, and automotives areas.

We are looking forward to setting up business relationship with you and hope to provide you with the best service and solution. Let us make a better world for our industry!



## Contact us

Tel: +86-755-8981 8866 Fax: +86-755-8427 6832

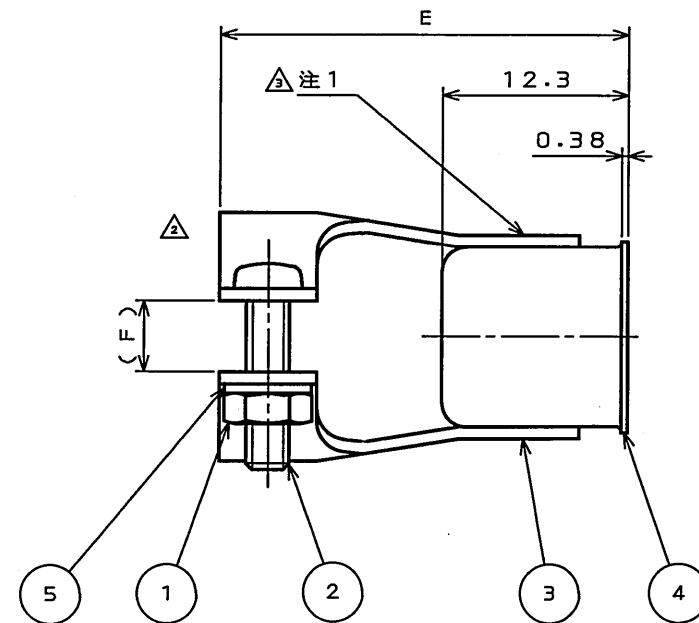
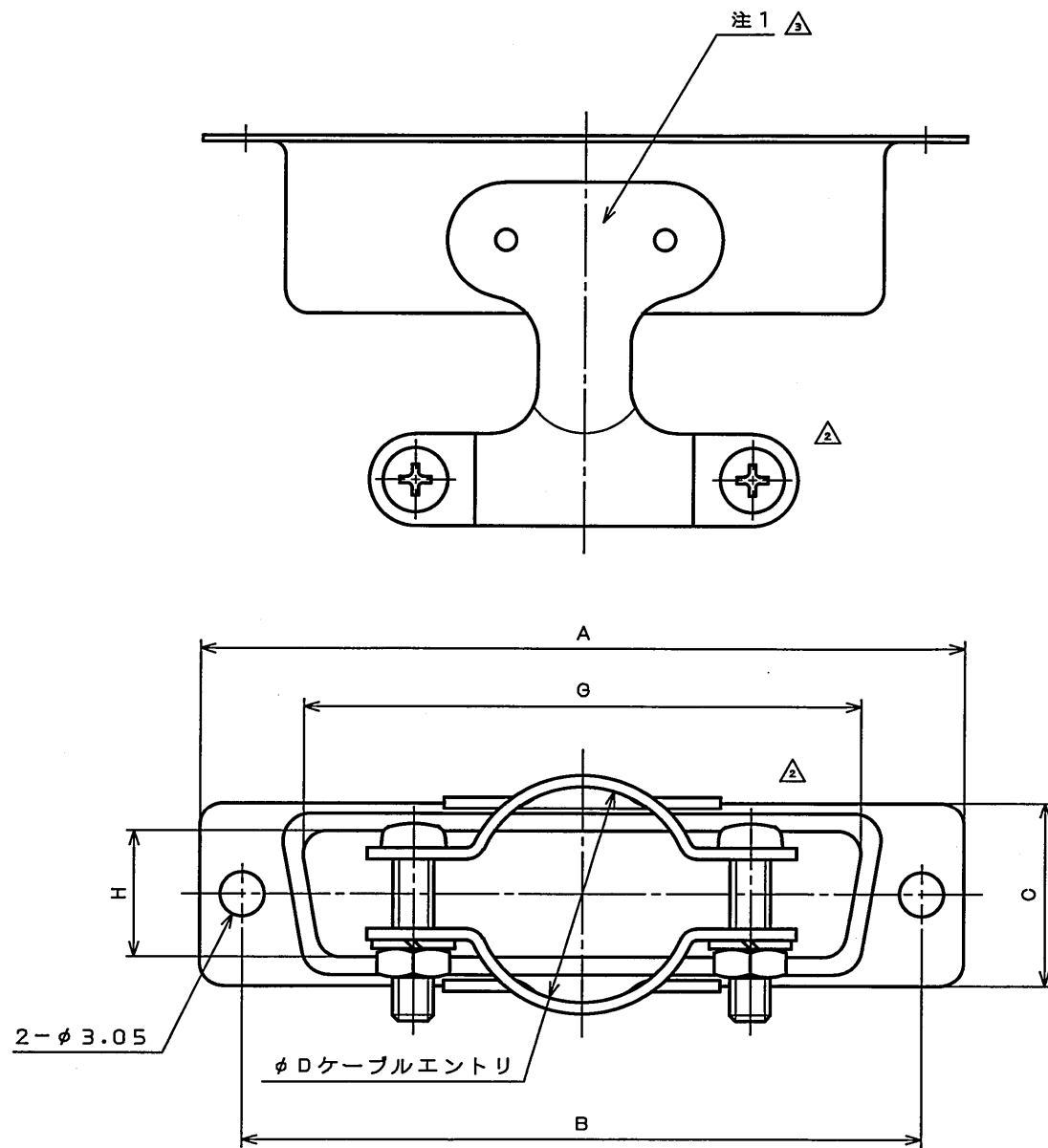
Email & Skype: info@chipsmall.com Web: www.chipsmall.com

Address: A1208, Overseas Decoration Building, #122 Zhenhua RD., Futian, Shenzhen, China



sj102267  
(DRAWING NO.)

版数 REV.	年月日 DATE	DCN NO.	変更内容 DESCRIPTION	製図 DR.	担当 CHK.	査閲 APPD.	承認 APPD.
2	2005.8.25	058072	ネジ形状変更 他		高木(洋)		窪田(好)
3	2005.9.30	058348	注1 追加		高木(洋)	多胡	窪田



品名	A	B	C <sup>±0.3</sup>	D <sup>以下</sup>	E <sup>±1.2</sup>	(F)	G	H
DA20961R	38.9	33.32	12.7	10.3	26.2	3.2	25.0	8.7
DB20962R	52.8	47.04	12.7	15.1	27.0	4.8	38.5	8.7
DC20963R	69.1	63.50	12.7	18.3	27.0	6.4	55.1	8.7
DD20964R	66.7	61.11	15.5	20.6	27.0	7.9	53.2	11.1
DE44994R	30.7	24.99	12.7	10.3	26.2	3.2	16.8	8.7

符号 NO.	名称 DESCRIPTION	個数 QTY.	材料 MATERIAL	仕上 FINISH	備考 REMARKS
5	ばね座金	2	鋼	亜鉛メッキ上3価クロメート処理	
4	シェル	1	鋼	亜鉛メッキ上3価クロメート処理	
3	クランプ	2	鋼	亜鉛メッキ上3価クロメート処理	
2	十字穴付なべ小ねじ	2	鋼	亜鉛メッキ上3価クロメート処理	
1	六角ナット	2	鋼	亜鉛メッキ上3価クロメート処理	

注1.側面に社名及び品名を表示する。  
ただし、品名末尾の「R」は表示しない。

仕様書 (SPECIFICATION)	第1版 (ORIGINAL DATE) 2005.5.16	尺度 (SCALE) 2:1	シリーズ (SERIES) D-sub	日本航空電子工業株式会社 JAPAN AVIATION ELECTRONICS INDUSTRY, LTD.
製図 DR.	野見山(亨)	名称 (TITLE) DE44994R D*2096*R シェル組立	図面番号 (DRAWING NO.) SJ102267	
公差 (GENERAL TOLERANCE)	担当 CHK.	質量 (MASS)		版数 (REV.) 3
寸法 (DIMENSION)	査閲 APPD.			
角度 (ANGLES)	承認 APPD.			

DOF-0-212E(03.08)

