



Chipsmall Limited consists of a professional team with an average of over 10 year of expertise in the distribution of electronic components. Based in Hongkong, we have already established firm and mutual-benefit business relationships with customers from,Europe,America and south Asia,supplying obsolete and hard-to-find components to meet their specific needs.

With the principle of “Quality Parts,Customers Priority,Honest Operation,and Considerate Service”,our business mainly focus on the distribution of electronic components. Line cards we deal with include Microchip,ALPS,ROHM,Xilinx,Pulse,ON,Everlight and Freescale. Main products comprise IC,Modules,Potentiometer,IC Socket,Relay,Connector.Our parts cover such applications as commercial,industrial, and automotives areas.

We are looking forward to setting up business relationship with you and hope to provide you with the best service and solution. Let us make a better world for our industry!



## Contact us

Tel: +86-755-8981 8866 Fax: +86-755-8427 6832

Email & Skype: info@chipsmall.com Web: www.chipsmall.com

Address: A1208, Overseas Decoration Building, #122 Zhenhua RD., Futian, Shenzhen, China

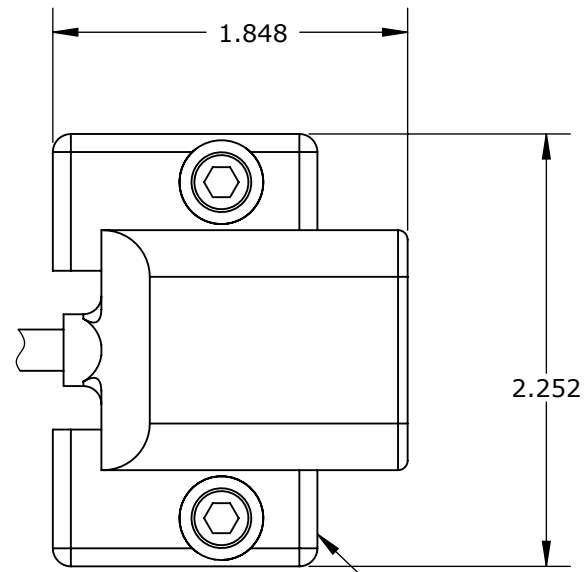


CUSTOMER PRINT

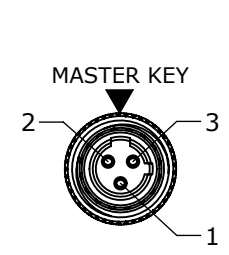
PART NUMBER: DB40S3SS3P3-XFAM

3 POLE ASSEMBLIES	
PART NO.	"X" DIM
DB40S3SS3P3-1	1 FT ±1 IN.
DB40S3SS3P3-2	2 FT ±2 IN.
DB40S3SS3P3-3	3 FT ±2 IN.
DB40S3SS3P3-4	4 FT ±2 IN.
DB40S3SS3P3-6	6 FT ±2 IN.
DB40S3SS3P3-12	12 FT ±4 IN.
DB40S3SS3P3-	

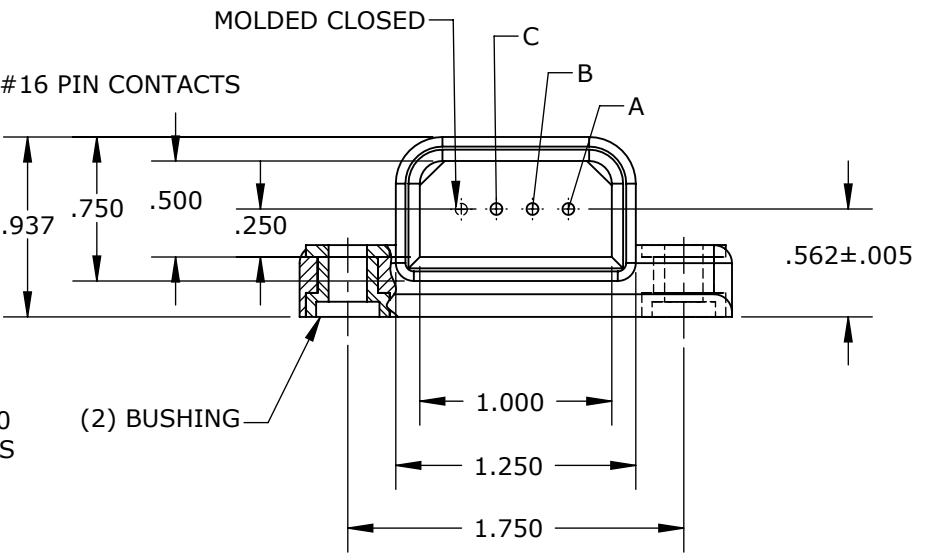
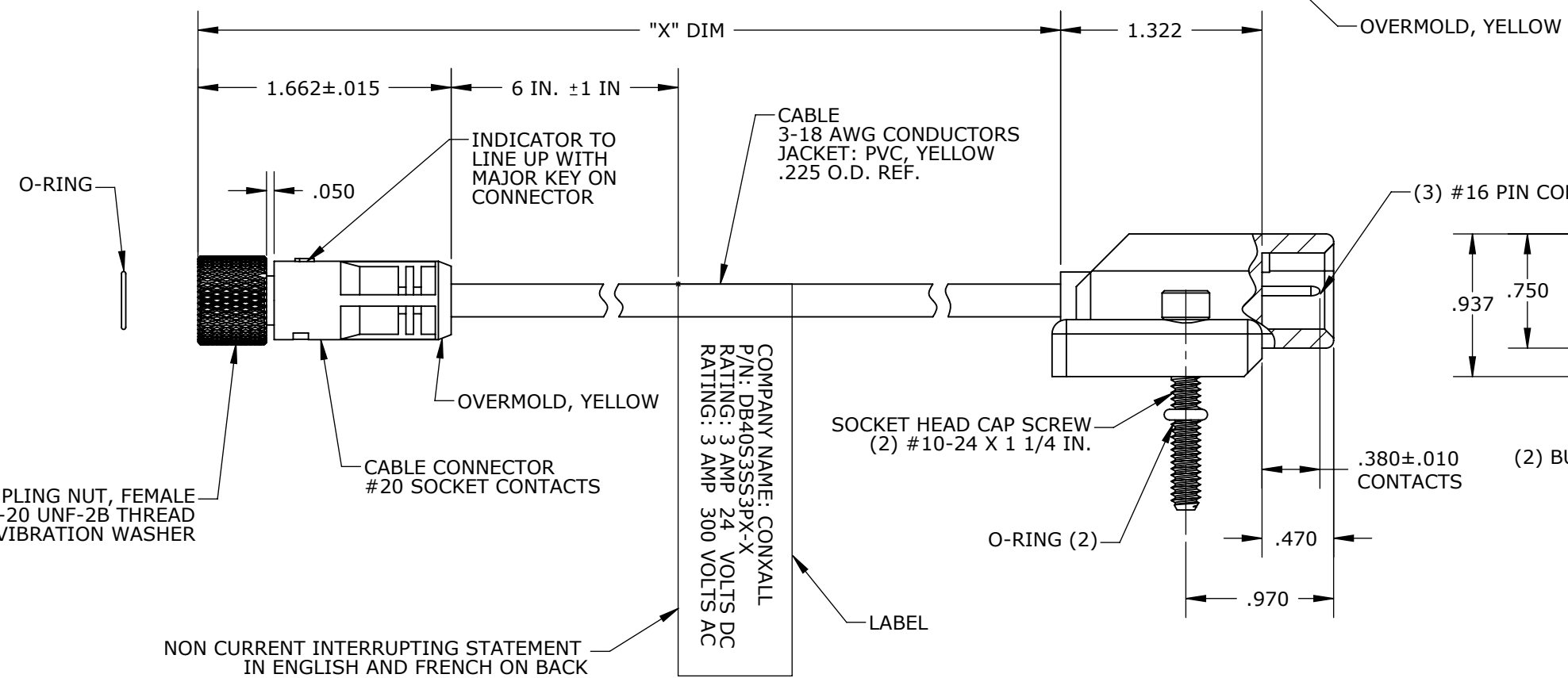
- NOTES:
1. FINISHED PRODUCT 3 FEET AND SHORTER TO BE BUNDLED  
FINISHED PRODUCT OVER 3 FEET TO BE COILED  
FOR PART NUMBER SEE TABLE  
ALL DIMENSIONS ARE REFERENCE UNLESS OTHERWISE SPECIFIED
  2. OVERMOLD BOOT MATERIAL: POLYURETHANE WITH YELLOW COLORANT, TYP. BOTH ENDS
  3. ELECTRICAL RATINGS: 3 AMPS, 300 VOLTS AC  
3 AMPS, 24 VOLTS DC
  4. ELECTRICAL TEST:  
a) 100% CONTINUITY TEST  
b) AT CELL SET-UP AND SAMPLING:  
HI-POT@1500V DC EACH CONTACT AGAINST ALL OTHERS AND GROUND



LENGTH IN FEET



END "A" FACE VIEW



NOTE: POSITIONS MARKED "----" ARE MOLDED CLOSED

COLOR CODE END "A"			WIRE COLOR CODE, END "B"			
POS. 1	POS. 2	POS. 3	POS. A	POS. B	POS. C	POS. D
GRN	RED/WHT	RED/BLK	GRN	RED/WHT	RED/BLK	---

**CUSTOMER APPROVAL**

THIS DOCUMENT CONTAINS CONFIDENTIAL INFORMATION PROPRIETARY TO CONXALL CORPORATION. ANY REPRODUCTION, DISCLOSURE, OR USE OF THIS DOCUMENT /INFORMATION IS EXPRESSLY PROHIBITED UNLESS AUTHORIZED IN WRITING BY CONXALL CORPORATION.

APPROVED BY: \_\_\_\_\_

DATE: \_\_\_\_\_

C	PD	08-04-11	UPDATED MANUFACTURING DRAWING PER ECR 7934
B	BZ	11-17-09	UPDATED MANUFACTURING DRAWING PER ECR 7305
A	BZ	03-06-09	DRAWING CREATED PER DOR 09-1230JT
REV.	INIT.	DATE	DESCRIPTION
	BZ	03-06-09	ALL INFORMATION ILLUSTRATED IS THE PROPERTY OF "CONXALL CORPORATION". UNAUTHORIZED DUPLICATION OR DISTRIBUTION OF THIS DOCUMENT IS PROHIBITED.
<small>ALL UNITS ARE IN FEET, INCHES, FRACTION OF INCHES AND DECIMALS.</small>			<p>601 E. WILDWOOD VILLA PARK, IL 60181</p>
<small>APPROVED BY:</small> _____			<small>TITLE:</small> CABLE ASSEMBLY (YELLOW) SOCKET CABLE CONNECTOR WITH DIE BLOCK MICRO-MIZER <small>CUSTOMER:</small> STANDARD PRODUCT
<small>SCALE</small> NTS		<small>SIZE</small> B	<small>SHEET</small> 1 OF 1
<small>FILE:</small> DB40S3SS3P3-X		<small>DIRECTORY:</small> SLW	<small>PART NUMBER:</small> DB40S3SS3P3-XFAM
<small>Δ - CRITICAL CHARACTERISTIC FLAG PER SPEC. XXXX</small>			<small>REV</small> c