



Chipsmall Limited consists of a professional team with an average of over 10 year of expertise in the distribution of electronic components. Based in Hongkong, we have already established firm and mutual-benefit business relationships with customers from,Europe,America and south Asia,supplying obsolete and hard-to-find components to meet their specific needs.

With the principle of “Quality Parts,Customers Priority,Honest Operation,and Considerate Service”,our business mainly focus on the distribution of electronic components. Line cards we deal with include Microchip,ALPS,ROHM,Xilinx,Pulse,ON,Everlight and Freescale. Main products comprise IC,Modules,Potentiometer,IC Socket,Relay,Connector.Our parts cover such applications as commercial,industrial, and automotives areas.

We are looking forward to setting up business relationship with you and hope to provide you with the best service and solution. Let us make a better world for our industry!



## Contact us

Tel: +86-755-8981 8866 Fax: +86-755-8427 6832

Email & Skype: info@chipsmall.com Web: www.chipsmall.com

Address: A1208, Overseas Decoration Building, #122 Zhenhua RD., Futian, Shenzhen, China



NOTES: UNLESS OTHERWISE SPECIFIED

1. CONSTRUCTION:

HOUSING: NYLON 6,6 33% GLASS FILLED.  
 AVAILABLE IN BLK OR RED.  
 FRAME: BRASS. NICKEL PLATED.  
 CONTACT: BeCu OR PHOSPHOR BRONZE. NICKEL PLATED.  
 HARDWARE: BLACK OXIDE STEEL WIRE CLAMPING SET SCREW. STAINLESS STEEL HOUSING CLAMPING NUT & SCREW.

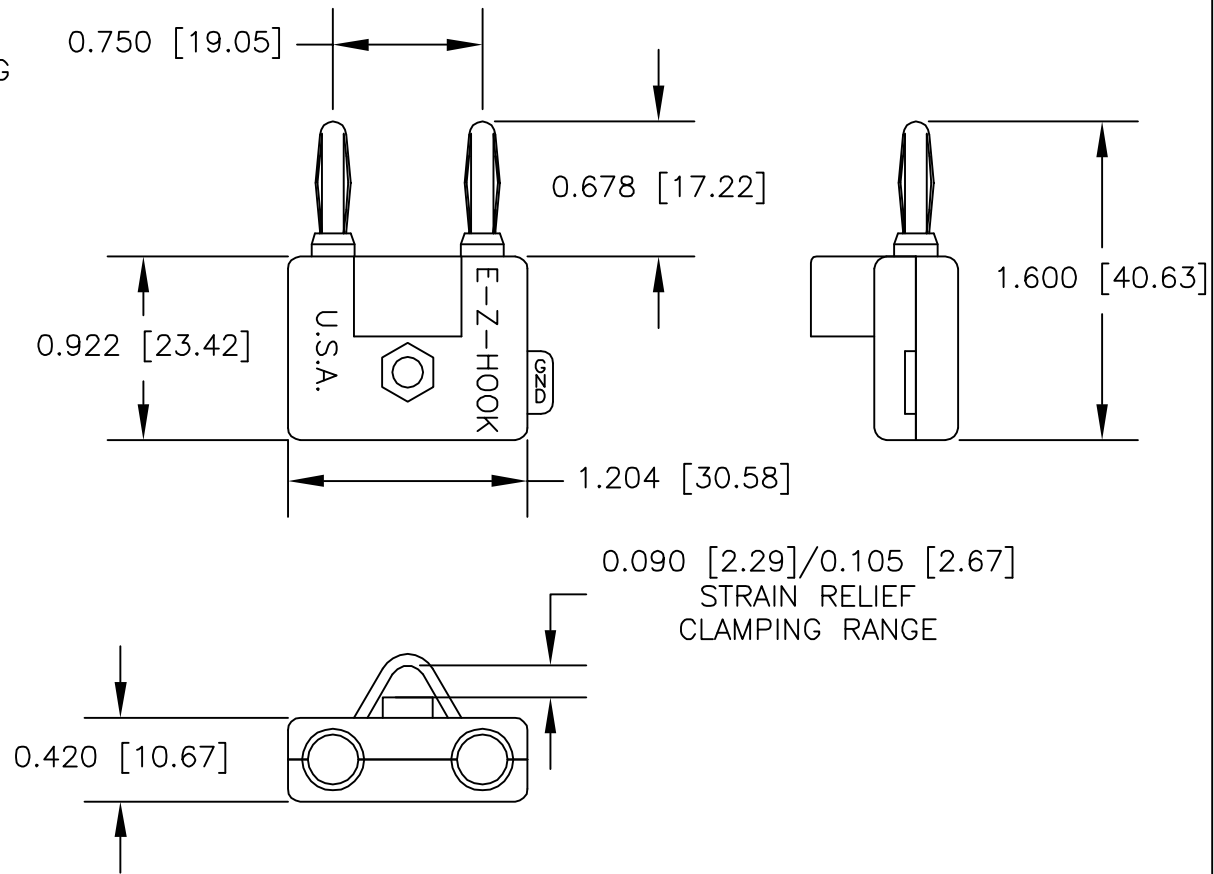
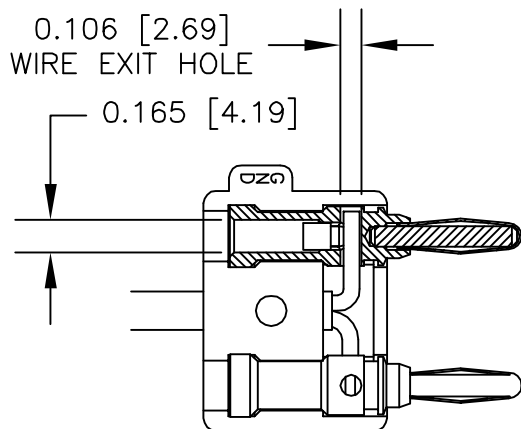
2. PERFORMANCE:

MAXIMUM CURRENT: 3.0 AMPS  
 MAXIMUM VOLTS: 1400 VRMS  
 MAXIMUM TEMPERATURE: 167°F (75°C)

3. FEATURES:

AVAILABLE WITH RESISTOR.

		REVISIONS	DATE	APPROVED
LTR				



		UNLESS OTHERWISE SPECIFIED DIMENSIONS ARE IN INCHES TOLERANCES ARE: FRACTIONS DECIMALS ANGLES ± .XX ± ± .XXX ±	CONTRACT NO.		<b>E-Z-HOOK</b> DIVISION OF TEKTEST INC. ARCADIA, CA 91006 U.S.A.			
			APPROVALS					
		MATERIAL SEE NOTE.	DRAWN R.L.		DESCRIPTION STK DOUBLE BANANA PLUG			
			FINISH SEE NOTE.	APPROVED BY		SIZE	CODE IDENT NO.	DRAWING NO.
NEXT ASSY	USED ON					<b>A 08505</b>	DB750	
APPLICATION		DO NOT SCALE DRAWING		SCALE 1:1		SHEET 1 OF 1		

THE INFORMATION CONTAINED IN THIS DOCUMENT IS PROPRIETARY TO E-Z-HOOK. THE INFORMATION IS NOT TO BE REPRODUCED WITHOUT PRIOR WRITTEN PERMISSION OF E-Z-HOOK, DIV. OF TEKTEST INC. MAXIMUM TESTED RATINGS IN A HANDS-FREE CONTROLLED ENVIRONMENT. MAXIMUM RATINGS ARE NOT TO BE USED CONCURRENTLY.