



Chipsmall Limited consists of a professional team with an average of over 10 year of expertise in the distribution of electronic components. Based in Hongkong, we have already established firm and mutual-benefit business relationships with customers from,Europe,America and south Asia,supplying obsolete and hard-to-find components to meet their specific needs.

With the principle of “Quality Parts,Customers Priority,Honest Operation,and Considerate Service”,our business mainly focus on the distribution of electronic components. Line cards we deal with include Microchip,ALPS,ROHM,Xilinx,Pulse,ON,Everlight and Freescale. Main products comprise IC,Modules,Potentiometer,IC Socket,Relay,Connector.Our parts cover such applications as commercial,industrial, and automotives areas.

We are looking forward to setting up business relationship with you and hope to provide you with the best service and solution. Let us make a better world for our industry!



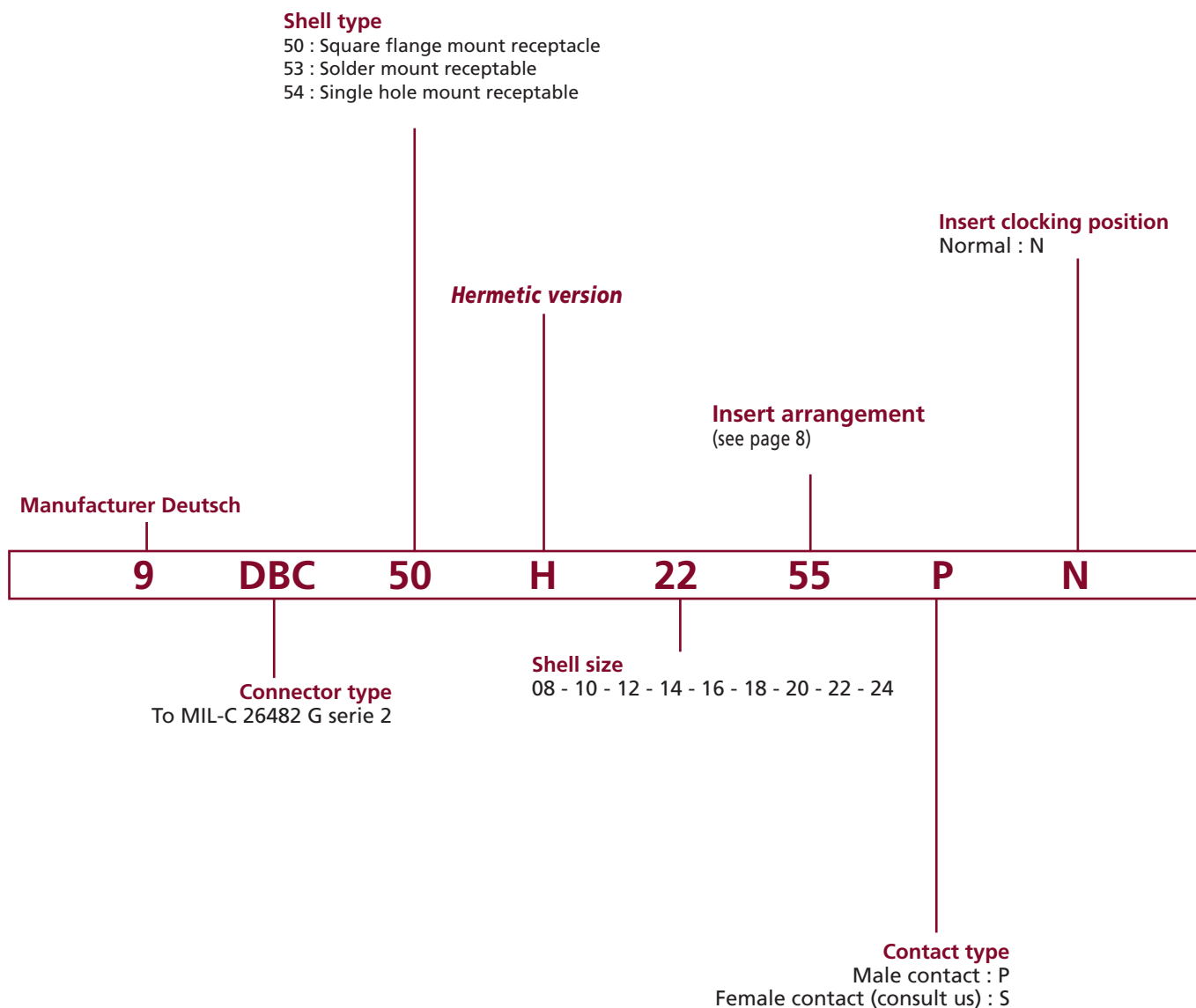
Contact us

Tel: +86-755-8981 8866 Fax: +86-755-8427 6832

Email & Skype: info@chipsmall.com Web: www.chipsmall.com

Address: A1208, Overseas Decoration Building, #122 Zhenhua RD., Futian, Shenzhen, China





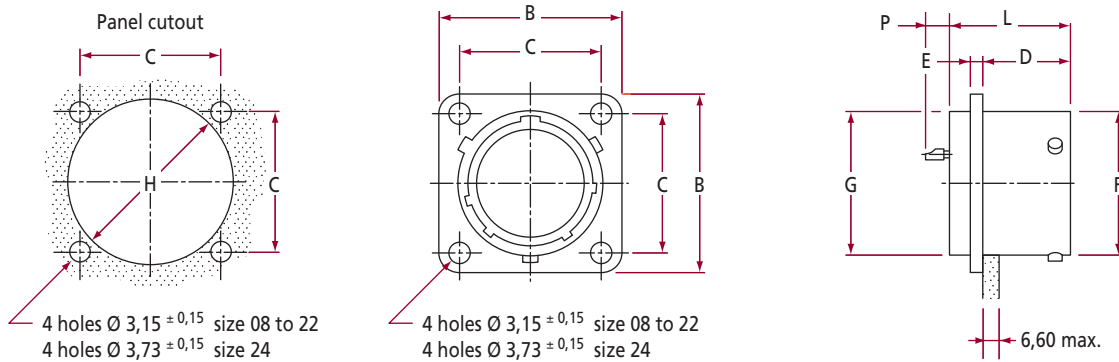
Mechanical

| | | |
|---------------------------|---------|---|
| Materials | Shell | : Steel |
| | Plating | : Tin over nickel plating |
| Insert | | : Compression glass ; silicone gasket |
| Insert retention in shell | | : The glass can withstand 70 bars of pressure differential without loss of mechanical or electrical characteristics |
| Contacts | Type | : Solder type |
| | Finish | : Gold as per MIL-G 45204 |
| Durability | | : 500 full coupling and uncoupling cycles |
| Temperature | | : - 55° C to + 200° C |
| Air leakage | | : Leakage inferior to $\leq 1 \times 10^{-7} \text{ cm}^3 / \text{hour}$ under a 1 bar differential pressure |
| Physical Shocks | | : 50 G in the 3 axes |

Electrical

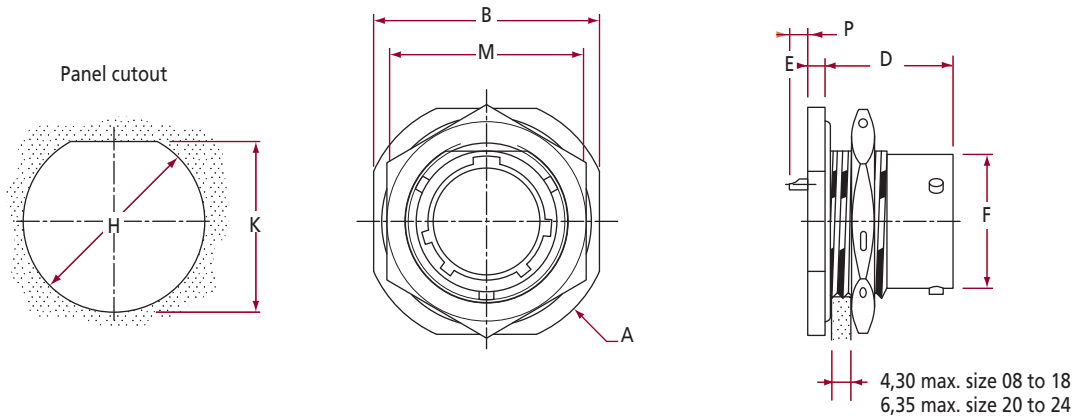
| | | |
|--------------------------|------------------------|---|
| Withstanding voltage | at sea level | : Service 1 : 1500 V 50 Hz (R.M.S) Service 2 : 2300 V 50 Hz (R.M.S) |
| | in altitude at 15000 m | : Service 1 : 500 V Service 2 : 750 V |
| | in altitude at 21000 m | : Service 1 : 375 V Service 2 : 500 V |
| | in altitude at 33000 m | : Service 1 : 200 V |
| | | : Service 2 : 200 V |
| Insulation resistance | | : Higher than 5000 M Ω at 20° C at 65 % R.H |
| Contacts maximum current | | : Size 20 : 5 A. Size 16 : 10 A. Size 12 : 17 A. |
| Contact millivolt drop | | : Size 20 : 75 mv at 5 A. Size 16 : 100 mv at 10 A. Size 12 : 100 mv at 17 A. |

■ Square flange receptacle



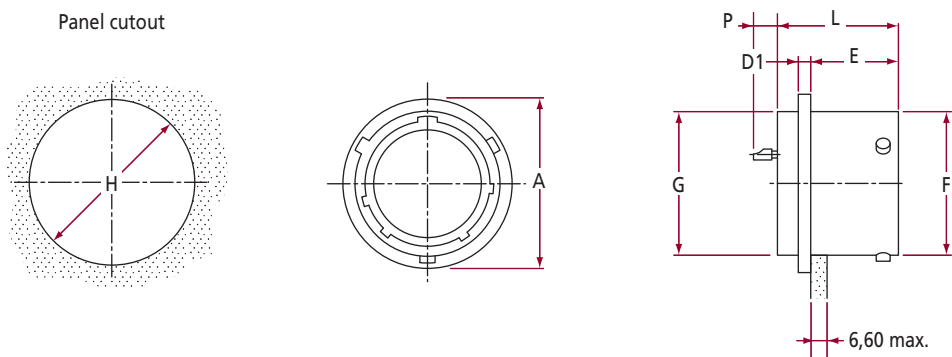
| Reference | B | C | D | E | F | G | L | P max. Sizes | | H |
|-------------------|-------|-------|--------|------|-------|-------|-------|--------------|-------|------------|
| | max. | ± 0,1 | ± 0,15 | max. | max. | max. | max. | 20 | 16-12 | +0 -0,2 |
| DBC 50H-08-**-P-* | 21,00 | 15,08 | 14,95 | 1,60 | 12,03 | 14,30 | 20,35 | 4,55 | 6,30 | 14,70 |
| DBC 50H-10-**-P-* | 24,20 | 18,26 | 14,95 | 1,60 | 15,01 | 17,10 | 20,35 | 4,55 | 6,30 | 17,50 |
| DBC 50H-12-**-P-* | 26,55 | 20,62 | 14,95 | 1,60 | 19,07 | 19,90 | 20,35 | 4,55 | 6,30 | 20,30 |
| DBC 50H-14-**-P-* | 28,95 | 23,02 | 14,95 | 1,60 | 22,24 | 23,05 | 20,35 | 4,55 | 6,30 | 23,45 |
| DBC 50H-16-**-P-* | 31,30 | 24,58 | 14,95 | 1,60 | 25,42 | 26,25 | 20,35 | 4,55 | 6,30 | 26,65 |
| DBC 50H-18-**-P-* | 33,70 | 26,98 | 14,95 | 1,60 | 28,60 | 29,40 | 20,35 | 4,55 | 6,30 | 29,80 |
| DBC 50H-20-**-P-* | 36,85 | 29,36 | 16,55 | 2,40 | 31,77 | 31,80 | 21,95 | 4,55 | 6,30 | 32,20 |
| DBC 50H-22-**-P-* | 39,95 | 31,76 | 16,55 | 2,40 | 34,94 | 34,95 | 22,75 | 3,70 | 5,50 | 35,35 |
| DBC 50H-24-**-P-* | 43,15 | 34,92 | 16,55 | 2,40 | 38,12 | 38,15 | 22,75 | 3,70 | 5,50 | 38,55 |

■ Single hole receptacle



| Reference | A | B | D | E | F | H | K | M | P max. Sizes | |
|-------------------|-------|-------|--------|------|-------|------------|------------|-------|--------------|-------|
| | max. | max. | ± 0,15 | max. | max. | +0 -0,2 | +0 -0,2 | max. | 20 | 16-12 |
| DBC 54H-08-**-P-* | 27,35 | 24,20 | 17,78 | 2,85 | 12,03 | 14,65 | 13,85 | 19,20 | 3,40 | 5,20 |
| DBC 54H-10-**-P-* | 30,55 | 27,35 | 17,78 | 2,85 | 15,01 | 17,80 | 17,05 | 22,37 | 3,40 | 5,20 |
| DBC 54H-12-**-P-* | 35,30 | 32,15 | 17,78 | 2,85 | 19,07 | 22,55 | 21,15 | 27,12 | 3,40 | 5,20 |
| DBC 54H-14-**-P-* | 38,50 | 35,30 | 17,78 | 2,85 | 22,24 | 25,70 | 24,30 | 30,30 | 3,40 | 5,20 |
| DBC 54H-16-**-P-* | 41,65 | 38,50 | 17,78 | 2,85 | 25,42 | 28,90 | 27,45 | 33,47 | 3,40 | 5,20 |
| DBC 54H-18-**-P-* | 44,80 | 41,65 | 17,78 | 2,85 | 28,60 | 32,05 | 30,65 | 36,67 | 3,40 | 5,20 |
| DBC 54H-20-**-P-* | 49,60 | 46,40 | 19,43 | 3,70 | 31,77 | 35,25 | 33,80 | 39,82 | 2,55 | 2,55 |
| DBC 54H-22-**-P-* | 52,75 | 49,60 | 19,43 | 3,70 | 34,94 | 38,40 | 37,00 | 43,02 | 2,55 | 2,55 |
| DBC 54H-24-**-P-* | 55,95 | 52,75 | 20,17 | 3,70 | 38,12 | 41,60 | 40,15 | 46,17 | 2,55 | 2,55 |

Solder receptacle



| Reference | A | D1 | E | F | G | H | L | P max. Sizes | |
|-------------------|-------|------|------|-------|-------|-------|------------|--------------|-------|
| | max. | max. | max. | max. | max. | max. | +0 -0,2 | 20 | 16-12 |
| DBC 53H-08-**-P-* | 16,15 | 4,00 | 0,90 | 12,03 | 14,30 | 14,70 | 20,35 | 4,55 | 6,30 |
| DBC 53H-10-**-P-* | 19,30 | 4,00 | 0,90 | 15,01 | 17,50 | 17,10 | 20,35 | 4,55 | 6,30 |
| DBC 53H-12-**-P-* | 21,70 | 4,00 | 0,90 | 19,07 | 19,90 | 20,30 | 20,35 | 4,55 | 6,30 |
| DBC 53H-14-**-P-* | 24,90 | 4,00 | 0,90 | 22,24 | 23,45 | 23,05 | 20,35 | 4,55 | 6,30 |
| DBC 53H-16-**-P-* | 28,05 | 4,00 | 0,90 | 25,42 | 26,25 | 26,65 | 20,35 | 4,55 | 6,30 |
| DBC 53H-18-**-P-* | 31,20 | 4,00 | 0,90 | 28,60 | 29,40 | 29,80 | 20,35 | 4,55 | 6,30 |
| DBC 53H-20-**-P-* | 33,60 | 4,00 | 0,90 | 31,77 | 31,80 | 32,20 | 21,95 | 4,55 | 6,30 |
| DBC 53H-22-**-P-* | 36,80 | 4,80 | 0,90 | 34,94 | 34,95 | 35,35 | 22,75 | 3,70 | 5,50 |
| DBC 53H-24-**-P-* | 40,00 | 4,80 | 0,90 | 38,12 | 38,15 | 38,55 | 22,75 | 3,70 | 5,50 |