



Chipsmall Limited consists of a professional team with an average of over 10 year of expertise in the distribution of electronic components. Based in Hongkong, we have already established firm and mutual-benefit business relationships with customers from,Europe,America and south Asia,supplying obsolete and hard-to-find components to meet their specific needs.

With the principle of “Quality Parts,Customers Priority,Honest Operation,and Considerate Service”,our business mainly focus on the distribution of electronic components. Line cards we deal with include Microchip,ALPS,ROHM,Xilinx,Pulse,ON,Everlight and Freescale. Main products comprise IC,Modules,Potentiometer,IC Socket,Relay,Connector.Our parts cover such applications as commercial,industrial, and automotives areas.

We are looking forward to setting up business relationship with you and hope to provide you with the best service and solution. Let us make a better world for our industry!



## Contact us

Tel: +86-755-8981 8866 Fax: +86-755-8427 6832

Email & Skype: info@chipsmall.com Web: www.chipsmall.com

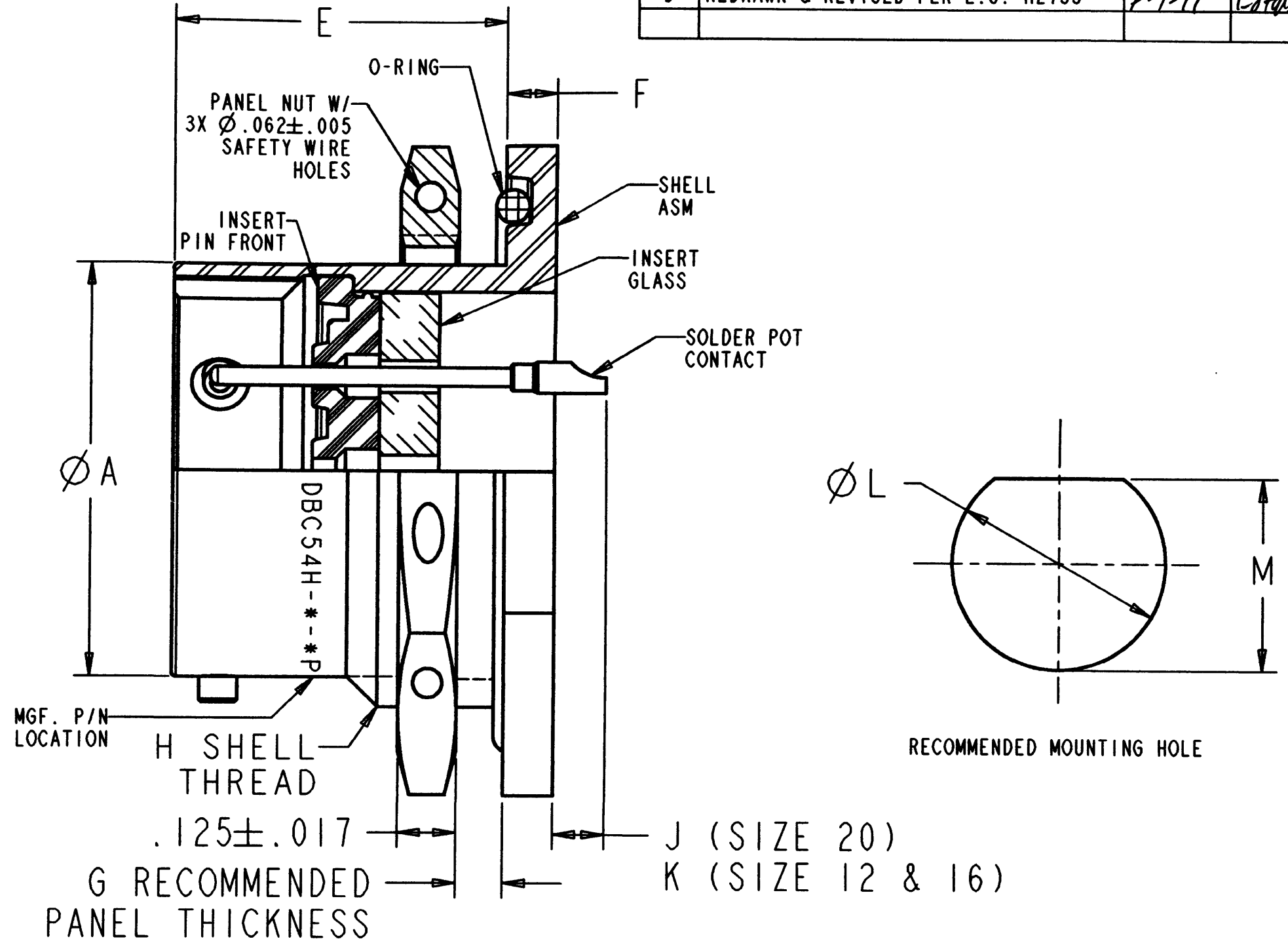
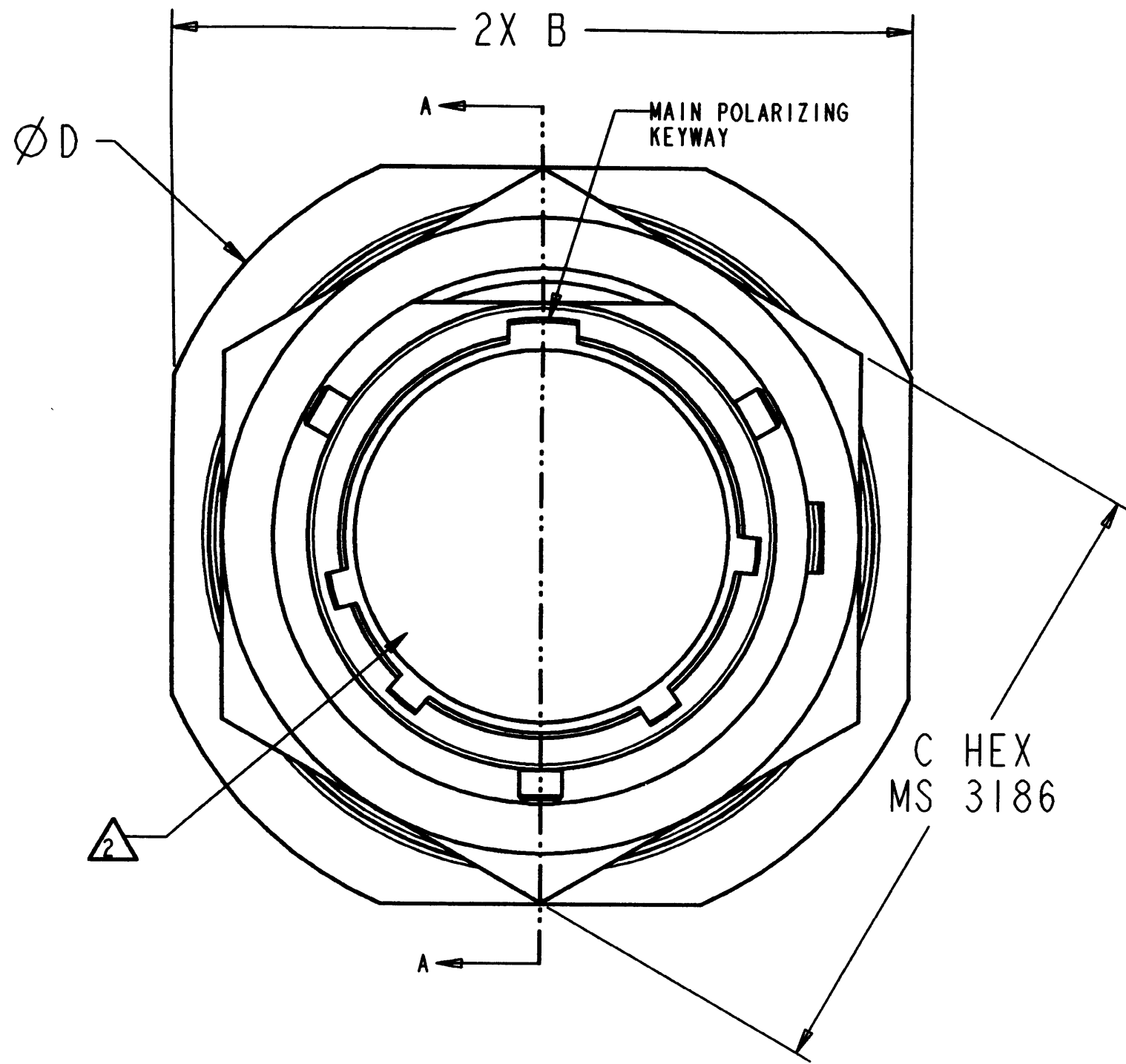
Address: A1208, Overseas Decoration Building, #122 Zhenhua RD., Futian, Shenzhen, China



PROPERTY OF DEUTSCH E.C.D.  
THIS DRAWING CONTAINS PROPRIETARY INFORMATION THAT SHALL NOT BE DISCLOSED, DUPLICATED,  
NOR USED IN WHOLE OR IN PART FOR ANY PURPOSE OTHER THAN TO EVALUATE THIS DRAWING.

D DBC54H-\*-\*P\*

REVISIONS			
REV	DESCRIPTIONS	DATE	APPROVED
C	REDRAWN PER E.O. 61951	8/20/69	J. VEGA
D	REDRAWN & REVISED PER E.O. H2755	2-1-89	[Signature]

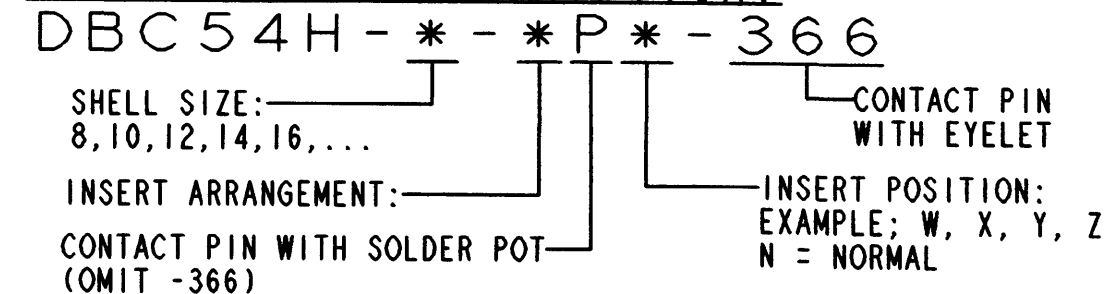


SECTION A-A

PART No:	+.001 A-.005	B±.015	C±.017	D±.015	E±.008	F±.008	G PANEL THK.		H THREAD CLASS 2A	J±.030	K±.030	+.010 L-.000	+.010 M-.000	WEIGHT MAX (lb.)
							MIN	MAX						
DBC54H-8-*P*	.473	.938	.750	1.062	.699	.105	.062	.187	.5625-24UNEF	.104	.174	.572	.537	.043
DBC54H-10-*P*	.590	1.062	.875	1.187	.699	.105	.062	.187	.6875-24UNEF	.104	.174	.697	.661	.061
DBC54H-12-*P*	.750	1.250	1.062	1.375	.699	.105	.062	.187	.8750-20UNEF	.104	.174	.895	.824	.088
DBC54H-14-*P*	.875	1.375	1.188	1.500	.699	.105	.062	.187	1.0000-20UNEF	.104	.174	1.010	.948	.110
DBC54H-16-*P*	1.000	1.500	1.312	1.625	.699	.105	.062	.187	1.1250-18UNEF	.104	.174	1.135	1.072	.131
DBC54H-18-*P*	1.125	1.625	1.438	1.750	.699	.105	.062	.187	1.2500-18UNEF	.104	.174	1.260	1.197	.172
DBC54H-20-*P*	1.250	1.812	1.562	1.938	.763	.138	.062	.250	1.3750-18UNEF	.069	.139	1.385	1.322	.211
DBC54H-22-*P*	1.375	1.938	1.688	2.062	.763	.138	.062	.250	1.5000-18UNEF	.069	.139	1.510	1.447	.242
DBC54H-24-*P*	1.500	2.062	1.812	2.187	.794	.138	.062	.250	1.6250-18UNEF	.069	.139	1.635	1.572	.293

- DIMENSIONS ARE IN INCHES UNLESS OTHERWISE SPECIFIED.
  - INSERT ARRANGEMENT PER MIL-STD-1669.
  - LEAK RATE: < 1E-8 cc/sec He @ 1 atm.
  - MATES WITH AFD56-\*-\*S\* DEUTSCH PLUG CONNECTOR.
  - MATERIAL:  
SHELL & PANEL NUT - C1215 MILD STEEL  
INSULATOR - GLASS INSERT  
CONTACT - 52 HIGH NICKEL-IRON ALLOY  
INSERT PIN FRONT & O-RING - FLUOROSILICONE
  - FINISH: SHELL - TIN OVER NICKEL PLATE  
CONTACT - GOLD OVER NICKEL PLATE
- NOTE(S):

PART NUMBER DESCRIPTION:



FILE: DBC54H-X-XPX-SNP\_SHOT

UNLESS OTHERWISE SPECIFIED: DIMENSIONS ARE IN INCHES DECIMALS XXX ± .005 ANGLES ± .5° T.I.R. .010 PARTS TO HAVE NO BURRS OR SHARP EDGES	SIGNATURE & DATE	CONNECTOR, RECEPTACLE	CP	MATL CODE 73
	DR P. COVARRUBIAS 6/29/99		<b>DEUTSCH</b> HERMETIC PRODUCTS OPERATION 250 Eddie Jones Way Oceanside, CA 92054	
	CHK [Signature]			
	PE [Signature]		C DBC54H-*-*P* DWG SIZE CAGE CODE 11139 SHEET 1 OF 1	
MATERIAL SEE NOTE	APPD [Signature]	HERMETIC PIN UNIT JAM-NUT MOUNT BAYONET COUPLING MIL-C-26482 SERIES 2 MS3449 ENVELOPE		
FINISH SEE NOTE	SCALE: 4.000			