



Chipsmall Limited consists of a professional team with an average of over 10 year of expertise in the distribution of electronic components. Based in Hongkong, we have already established firm and mutual-benefit business relationships with customers from,Europe,America and south Asia,supplying obsolete and hard-to-find components to meet their specific needs.

With the principle of “Quality Parts,Customers Priority,Honest Operation,and Considerate Service”,our business mainly focus on the distribution of electronic components. Line cards we deal with include Microchip,ALPS,ROHM,Xilinx,Pulse,ON,Everlight and Freescale. Main products comprise IC,Modules,Potentiometer,IC Socket,Relay,Connector.Our parts cover such applications as commercial,industrial, and automotives areas.

We are looking forward to setting up business relationship with you and hope to provide you with the best service and solution. Let us make a better world for our industry!



Contact us

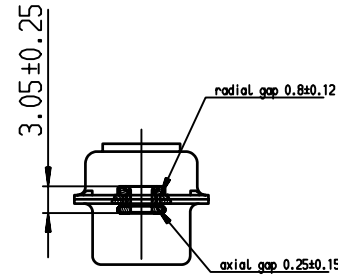
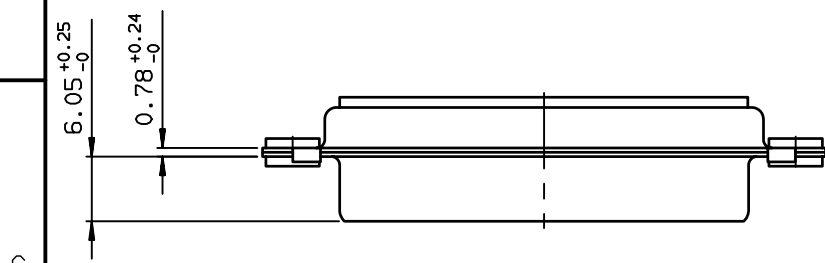
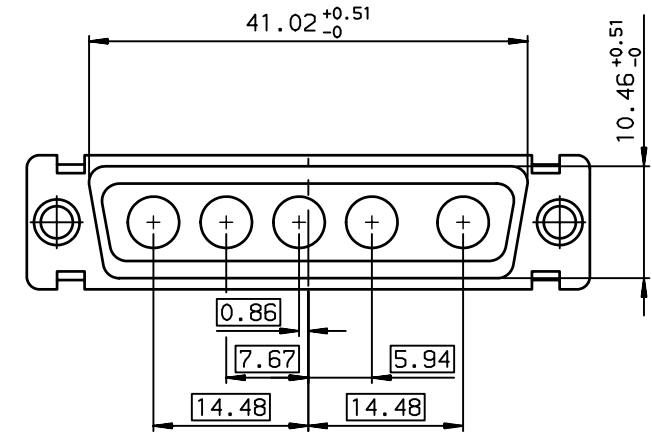
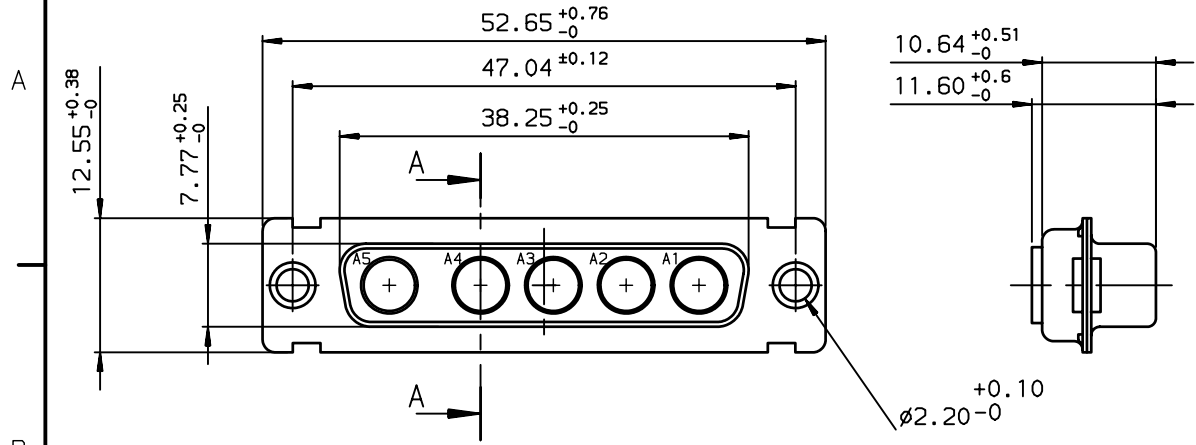
Tel: +86-755-8981 8866 Fax: +86-755-8427 6832

Email & Skype: info@chipsmall.com Web: www.chipsmall.com

Address: A1208, Overseas Decoration Building, #122 Zhenhua RD., Futian, Shenzhen, China

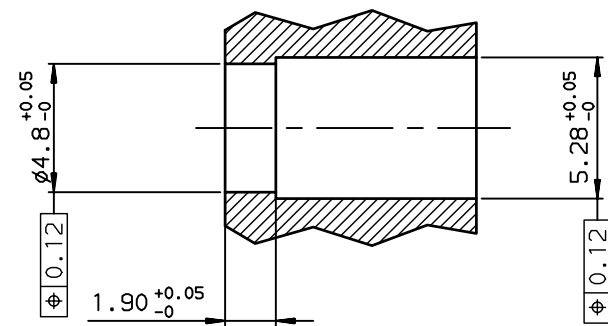


GENERAL CHARACTERISTICS : SEE DRAWING C01-8639-0001



DBF5W5SA00
PART NUMBER

SECTION AA ech:5



European Views

www.fciconnect.com			surface ISO 1302 ✓	tolerance std ISO 406 ISO 1101	projection mm	TOLERANCES UNLESS OTHERWISE SPECIFIED	
Dr	JARRY	2001/02/20	ANGULAR	LINEAR	0.X ±0.1	size	Scale
Eng	JARRY	2001/02/20	0.XX ±0.1	0.XXX ±0.1	A3	2	
Chr	LEGARE	2001/02/20	0.XX' ±2'		ECN	LS07-0273	
Appr	LEGARE	2001/02/20	Product family	D-SUB	Spec ref	-	
FCI title FEMALE CONNECTOR 5W5 WITH FLOAT MOUNTING			catalog no	-	dwg no	C01-8639-1868	
Dr			CUSTOMER		sheet 1 of 1		

rev	ech no	dr	date
B	-	DEB	2003/10/01
C	LS06-0097	LGO	2006/07/31
D	LS07-0273	MPE	2007/10/31
-	-	-	-
-	-	-	-
-	-	-	-



Copyright FCI.