



Chipsmall Limited consists of a professional team with an average of over 10 year of expertise in the distribution of electronic components. Based in Hongkong, we have already established firm and mutual-benefit business relationships with customers from,Europe,America and south Asia,supplying obsolete and hard-to-find components to meet their specific needs.

With the principle of “Quality Parts,Customers Priority,Honest Operation,and Considerate Service”,our business mainly focus on the distribution of electronic components. Line cards we deal with include Microchip,ALPS,ROHM,Xilinx,Pulse,ON,Everlight and Freescale. Main products comprise IC,Modules,Potentiometer,IC Socket,Relay,Connector.Our parts cover such applications as commercial,industrial, and automotives areas.

We are looking forward to setting up business relationship with you and hope to provide you with the best service and solution. Let us make a better world for our industry!



Contact us

Tel: +86-755-8981 8866 Fax: +86-755-8427 6832

Email & Skype: info@chipsmall.com Web: www.chipsmall.com

Address: A1208, Overseas Decoration Building, #122 Zhenhua RD., Futian, Shenzhen, China



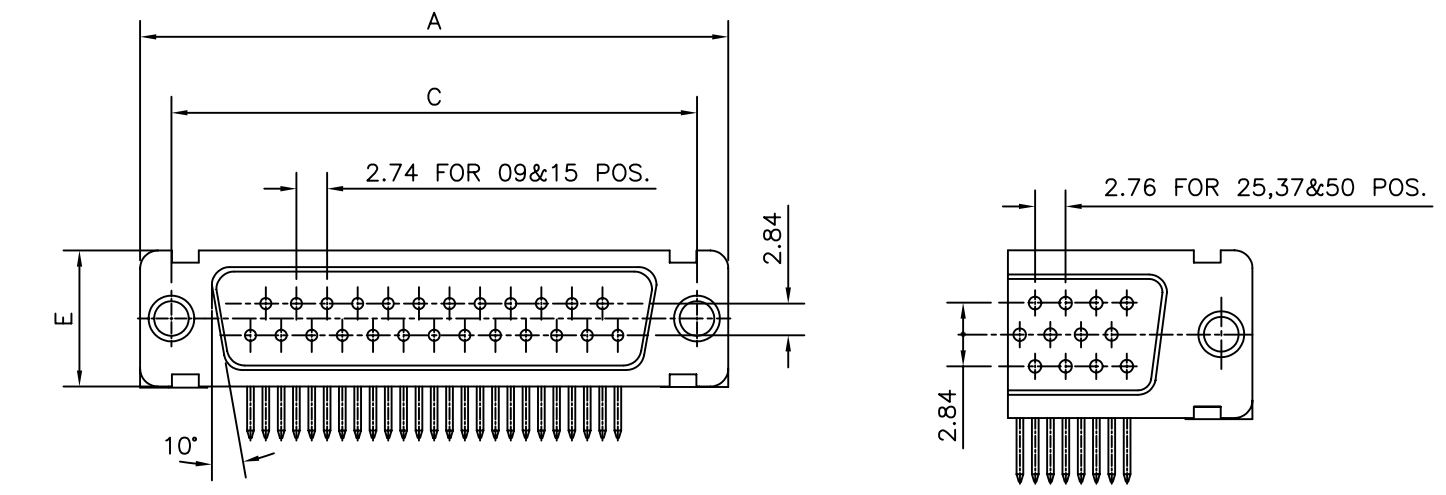
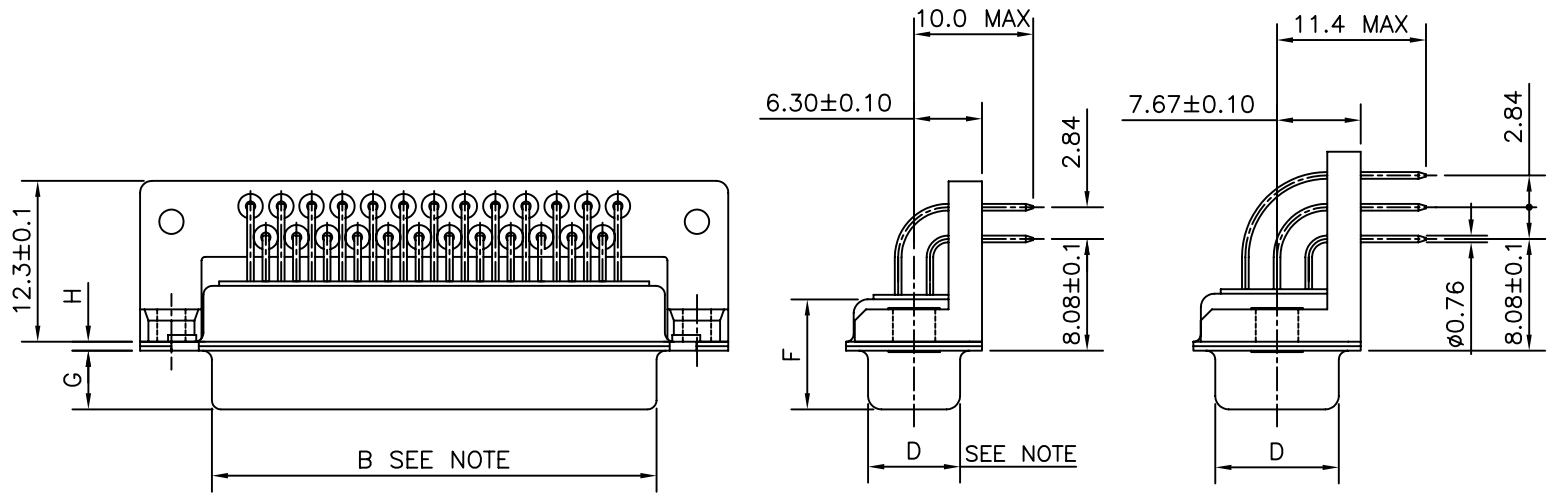
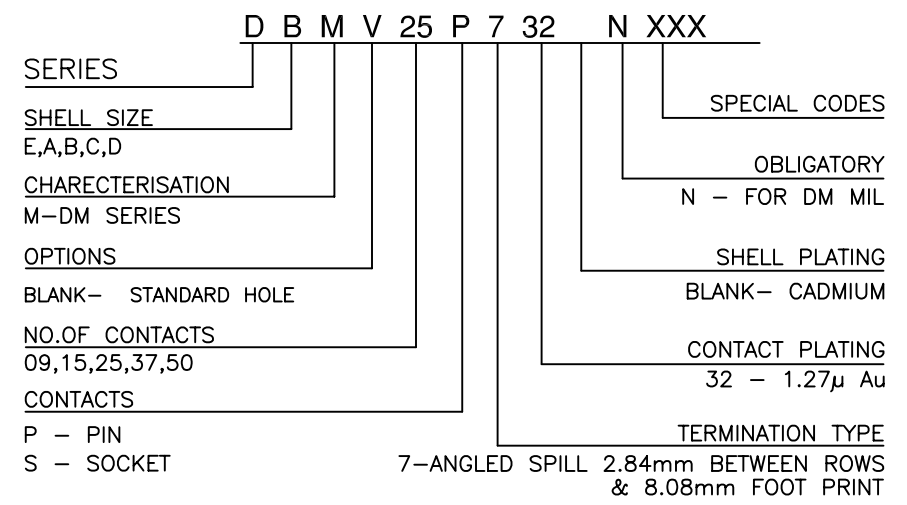
50	P	66.65	52.68	61.11	11.08	14.99	11.09	5.85	1.0
	S	66.65	52.30	61.11	10.62	14.99	11.21	6.05	0.8
37	P	68.94	55.30	63.50	8.23	12.17	11.09	5.85	1.0
	S	68.94	54.71	63.50	7.77	12.17	11.21	6.05	0.8
25	P	52.65	38.84	47.04	8.23	12.17	11.07	5.85	0.8
	S	52.65	38.25	47.04	7.77	12.17	11.21	6.05	0.8
15	P	38.76	25.12	33.32	8.23	12.17	10.99	5.85	0.8
	S	38.76	24.54	33.32	7.77	12.17	11.21	6.05	0.8
09	P	30.43	16.79	24.99	8.23	12.17	10.99	5.85	0.8
	S	30.43	16.21	24.99	7.77	12.17	11.21	6.05	0.8
SHELL SIZE		+0.76	+0.25	C±0.12	+0.25	+0.76	F MAX	+0.15	+0.22
		A-0	B-0		D-0	E-0		G-0	H-0

NOTE:-INSIDE DIMENSIONS OF MALE AND OUTSIDE DIMENSIONS OF THE FEMALE CONNECTOR.

TECHNICAL SPECIFICATIONS

- SHELLS : CADMIUM PLATED STEEL
- INSULATOR MATERIAL : SELF EXTINGUISHING THERMOPLASTIC- TO UL CLASS 94 V0
- CONTACTS DIA ON ACTIVE AREA : ϕ 1 MM.
- CONTACTS MATERIAL : COPPER ALLOY
- CONTACT PLATING : GOLD OVER NICKEL
- OPERATING TEMPERATURE : -55°C +125°C
- OPERATING CURRENT : 7.5 A PER CONTACT
- CONTACT RESISTANCE : \leq 7.3m Ω
- INSULATION RESISTANCE : \geq 5000 M Ω
- MAXIMUM VOLTAGE : 1000 V.r.m.s
- MECHANICAL ENDURANCE : 500 MATINGS
- DAMP HEAT : 56 DAYS

ORDERING INFORMATION



LAYOUT OF 50 POS.CONNECTOR

INDEX	DATE	REVISION DESCRIPTION
C	2009-05-25	MONOBLOCK BRACKET CORRECTED FROM OVAL TO ROUND HOLE

mat'l. code		-		surface		ISO 1302 <input checked="" type="checkbox"/> ISO 406 ISO 1101		tolerance		projection		product family		D-SUB	
ltr		ecn no		dr		date		tolerances unless otherwise specified		MM		title		D-SUB A/S US VERSION (DM SERIES WITH MONOBLOCK BRACKET)	
A				GVJ		-		angles		linear		scale		-	
B		017-02-09		AMR		2009-02-07						dwg no		sheet 1 of 1	
C		I09-0088		AMR		2009-05-25						C-DSUB-0150		A3	
				dr		Mini K V		2005-04-15				type		Product Customer Drawing	
				enr		George V J		2005-04-15							
				chr		Abhilash M R		2009-02-07							
				appd		Sudhir Varma		2009-02-07							
sheet index		revision		C		1									