



Chipsmall Limited consists of a professional team with an average of over 10 year of expertise in the distribution of electronic components. Based in Hongkong, we have already established firm and mutual-benefit business relationships with customers from,Europe,America and south Asia,supplying obsolete and hard-to-find components to meet their specific needs.

With the principle of “Quality Parts,Customers Priority,Honest Operation,and Considerate Service”,our business mainly focus on the distribution of electronic components. Line cards we deal with include Microchip,ALPS,ROHM,Xilinx,Pulse,ON,Everlight and Freescale. Main products comprise IC,Modules,Potentiometer,IC Socket,Relay,Connector.Our parts cover such applications as commercial,industrial, and automotives areas.

We are looking forward to setting up business relationship with you and hope to provide you with the best service and solution. Let us make a better world for our industry!



## Contact us

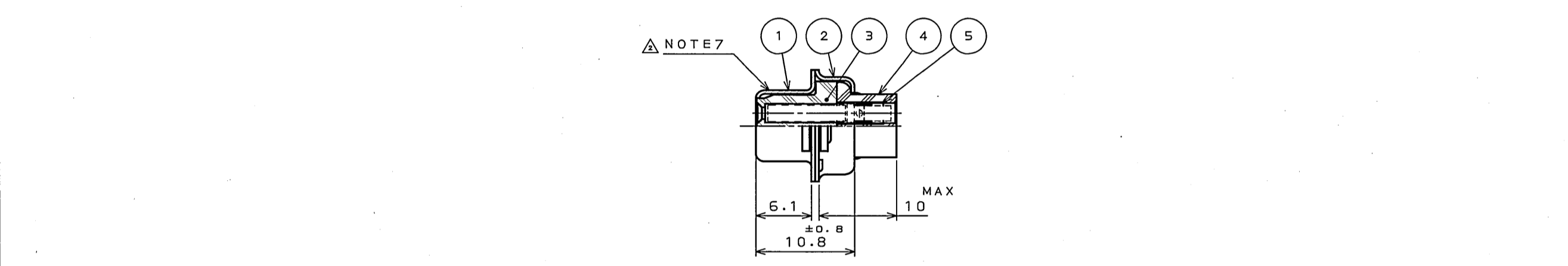
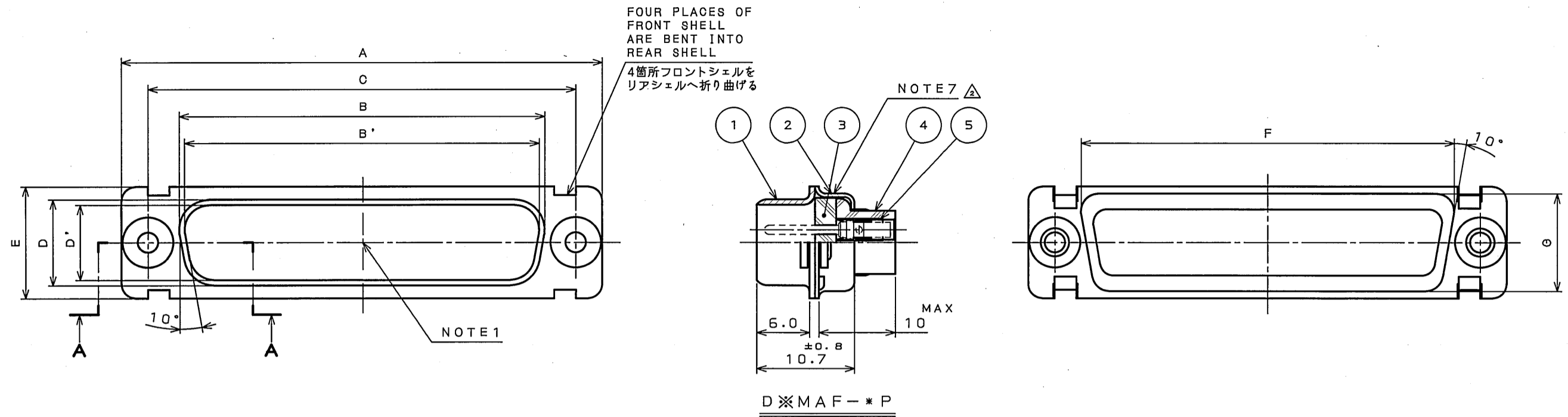
Tel: +86-755-8981 8866 Fax: +86-755-8427 6832

Email & Skype: info@chipsmall.com Web: www.chipsmall.com

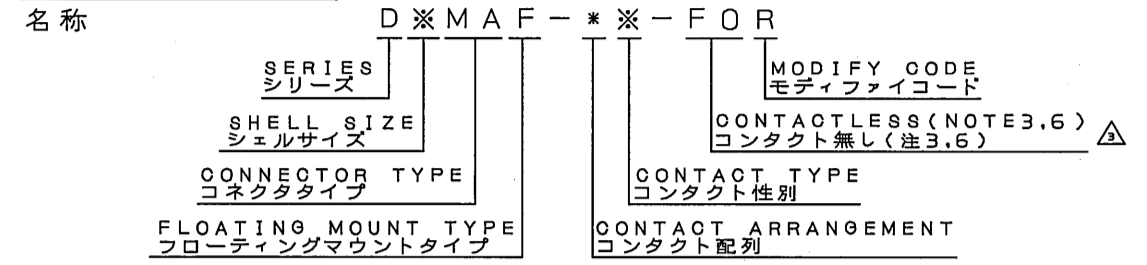
Address: A1208, Overseas Decoration Building, #122 Zhenhua RD., Futian, Shenzhen, China



版数 REV.	年月日 DATE	図番 DON NO.	変更内容 DESCRIPTION	製図 DR.	担当 CHK.	査閲 APPD.	承認 APPD.
2	13.Oct.2005	058374	REVISED NOTE7		Y.TAKA01	A.TA00	Y.KUBOTA
3	8.Nov.2006	061539	CHANGE TO BILINGUAL. OTHER		Y.TAKA01	A.TA00	Y.KUBOTA



DESIGNATION



- NOTE1. PRODUCTION COMPANY LOGO "JAE" & PART NUMBER AS INDICATED.  
 2. FLOATING MOUNT TO FLOAT FROM 0.4 ABOUT CENTERLINES DEIRECTION HOW OF MOUNT EYELET.  
 3. APPLICABLE WIRE SIZE FOR THIS CONNECTOR IS BELOW AWG#20. OUTER DIMENSION OF  
 4. FOR CONTACT ARRANGEMENTS, REFER TO DWG No. SJ017083.  
 5. FOR POB COUTOUT DIMENSIONS, REFER TO DWG No. SJ013596.  
 6. CONTACTS ARE NOT SUPPLIED WITH CONNECTORS. PLEASE DEMAND NECESSARY NUMBER OF CONTACTS ON ANOTHER ORDER. (SEE TABLE-1).  
 △7. LOT NUMBER AT THE LOCATION SHOWN IN THE DRAWING.

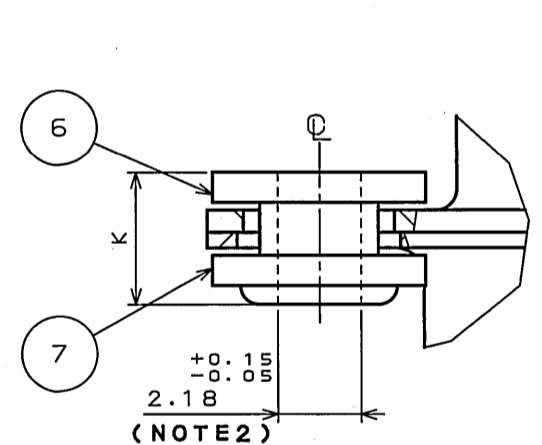
- 注1. 図示の位置に“社名”及び“品名略称”を表示する。  
 2. フローティングワッシャはセンターラインに対し如何なる方向にも0.4移動できる。  
 3. 本コネクタ用使用電線はAWG#20以下で、絶縁外径はφ1.83以下。  
 4. インサート配列はSJ017083を参照のこと。  
 5. パネル取付寸法はSJ013596を参照のこと。  
 6. コンタクトは添付されない。従って別オーダーで所要数を要求のこと。(表-1参照)  
 △7. 図示の位置にロット番号を表示する。

TABLE-1

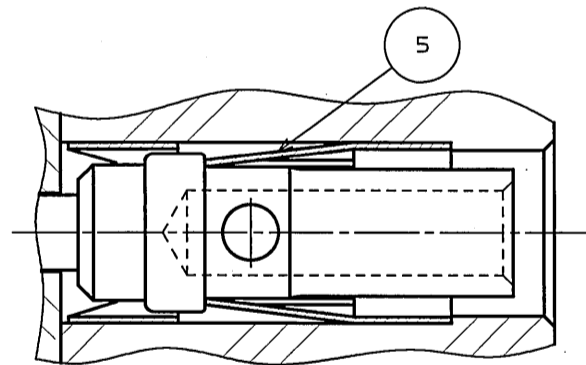
APPLICABLE WIRE AWG No.	PIN CONTACT	SKT CONTACT
#18 or 2X#22	330-5291-055	031-1007-054
#26,#28,#30	330-50264	031-50287
#20,#22,#24	330-5291-900	031-5130-000

TABLE-2

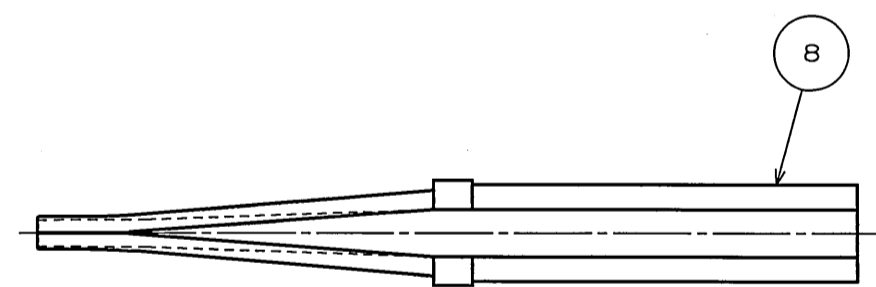
PART No.	A	B	B'	C	D	D'	E	F	G	H	K	RETAINING CLIP(QTY.)
DEMAF-9P-FOR	30.8		16.90	24.99		8.34	12.6	19.3	10.7		3.05	
DEMAF-9S-FOR	30.8	16.26		24.99	7.82		12.6	19.3	10.7		3.05	9
DAMAF-15P-FOR	39.1		25.24	33.32		8.34	12.6	27.5	10.7		3.05	
DAMAF-15S-FOR	39.1	24.59		33.32	7.82		12.6	27.5	10.7		3.05	15
DBMAF-25P-FOR	53.0		39.01	47.04		8.40	12.6	41.3	10.7		3.28	
DBMAF-25S-FOR	53.0	38.30		47.04	7.82		12.6	41.3	10.7		3.05	25
DDMAF-37P-FOR	69.3		55.47	63.50		8.40	12.6	57.7	10.7		3.28	
DDMAF-37S-FOR	69.3	54.76		63.50	7.82		12.6	57.7	10.7		3.05	37
DDMAF-50P-FOR	66.9		52.86	61.11		11.16	15.4	55.3	13.9		3.28	
DDMAF-50S-FOR	66.9	52.34		61.11	10.65		15.4	55.3	13.9		3.05	50



SECT. A-A  
(SCALE 5:1)



DETAIL RETAINING CLIP  
(SCALE 10:1)



EXTRACTION TOOL (ATTACHMENT)

8	EXTRACTION TOOL	1	NYLON			
7	WASHER	2	STAINLESS STEEL			
6	RIVET	2	STAINLESS STEEL			
5	RETAINING CLIP	TABLE 2	COPPER ALLOY			
4	REAR INSULATOR	1	DIALYLPHTHALATE			(COLOR: GREEN)
3	FRONT INSULATOR	1	DIALYLPHTHALATE			(COLOR: GREEN)
2	REAR SHELL	1	STEEL			TRIVALENT CHROMATE TREATMENT ON ELECTROPLATED ZINC
1	FRONT SHELL	1	STEEL			TRIVALENT CHROMATE TREATMENT ON ELECTROPLATED ZINC

符号 NO.	名称 DESCRIPTION	個数 QTY.	材料 MATERIAL	仕上 FINISH	備考 REMARKS
仕様書 (SPECIFICATION) JACS-1045-4					
製図 DR. 31.Mar.2005					
R度 (SCALE) 2:1					
シリーズ (SERIES) Dsub					
名称 (TITLE) D※MAF-※※-FOR					
FLOATING MOUNT TYPE					
図面番号 (DRAWING NO.) SJ103089					

DOF-0-213F(05.08)

