



Chipsmall Limited consists of a professional team with an average of over 10 year of expertise in the distribution of electronic components. Based in Hongkong, we have already established firm and mutual-benefit business relationships with customers from,Europe,America and south Asia,supplying obsolete and hard-to-find components to meet their specific needs.

With the principle of “Quality Parts,Customers Priority,Honest Operation,and Considerate Service”,our business mainly focus on the distribution of electronic components. Line cards we deal with include Microchip,ALPS,ROHM,Xilinx,Pulse,ON,Everlight and Freescale. Main products comprise IC,Modules,Potentiometer,IC Socket,Relay,Connector.Our parts cover such applications as commercial,industrial, and automotives areas.

We are looking forward to setting up business relationship with you and hope to provide you with the best service and solution. Let us make a better world for our industry!



## Contact us

Tel: +86-755-8981 8866 Fax: +86-755-8427 6832

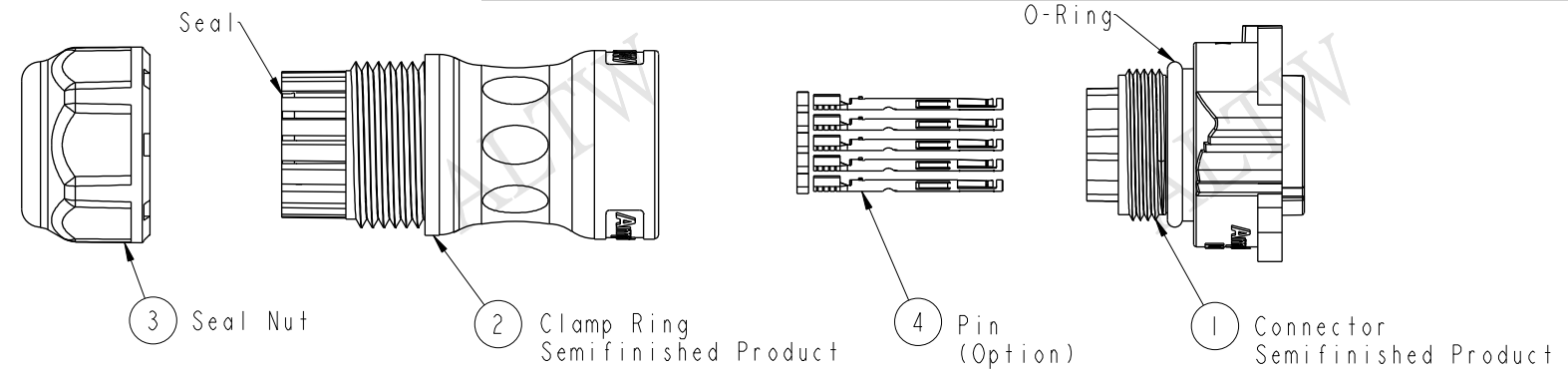
Email & Skype: info@chipsmall.com Web: www.chipsmall.com

Address: A1208, Overseas Decoration Building, #122 Zhenhua RD., Futian, Shenzhen, China



THIS DOCUMENT IS SUBJECT TO CHANGE WITHOUT NOTICE. IT IS CONFIDENTIAL AND A PROPERTY OF AMPHENOL LTW. DISCLOSURE TO THIRD PARTY HAS TO BE AUTHORIZED BY AMPHENOL LTW.

| REV. | ECN NO. | DATE       | SIGN        | DESCRIPTION            |
|------|---------|------------|-------------|------------------------|
| A    |         | 2016/11/23 | Victor Hung | Change Rev.01 To Rev.A |



**Material Specification:**

- \* Connector: Nylon+GF, Black.
- \* Pins: Copper Alloy, Gold Plated.
- \* Seal & O-Ring: Silicone, Gray.
- \* UL Rated: UL 94V-0, fl.
- \* RoHS Compliant.

**Electrical Specification:**

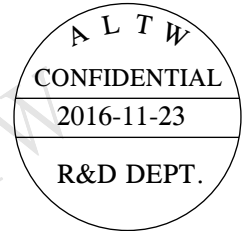
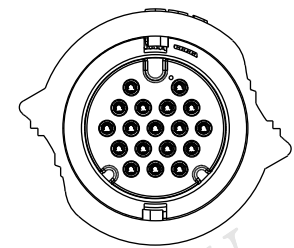
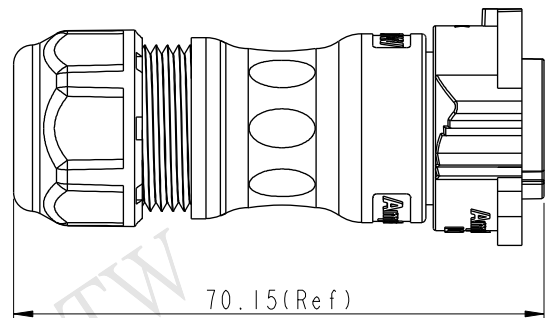
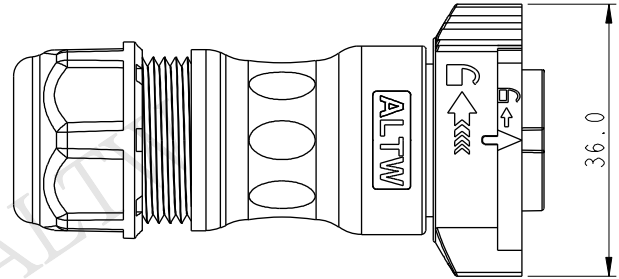
- \* Contact Resistance: 10mΩ Max.
- \* Insulation Resistance: 100MΩ Min.
- \* Dielectric Withstand Voltage: 1,600 Vac.

**Mechanical Specification:**

- \* Durability: 1000 Cycles.
- \* Tensile strength: 10 kgf.
- \* Wire Conductor:
  - 5A: 22AWG~20AWG
  - 20A: 14AWG~12AWG
- \* Wire Insulation OD:
  - 5A: 1.9mm Max.
  - 20A: 4.3mm Max.
- \* Torque Force for Clamp Ring: 6~8 kgf-cm
- \* Torque Force for Seal Nut: 6~8 kgf-cm

**Environmental Specification:**

- \* Waterproof Rating: IP68(Mated, 1M/24 Hours)
- \* Temperature Range: -40°C to 105°C.
- \* Salt Spray: Mated, 1000 Hours.
- \* Safety Compliance: UL 1977.



|           |  |  |
|-----------|--|--|
| UNIT:mm   |  |  |
| TOLERANCE |  |  |
| ±0.5 mm   |  |  |

|  |                |                     |  |
|--|----------------|---------------------|--|
| TITLE<br>X-Lok D-Size Field Installable<br>Cable Type F Conn |                |                     |  |
| SCALE<br>8:5   | SIZE<br>A4     | SHEET<br>1 OF 2     |  |
| REV.<br>A  | WC-REV.<br>A.3 | QC: Inspection item |  |

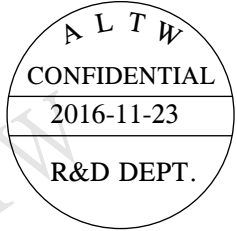
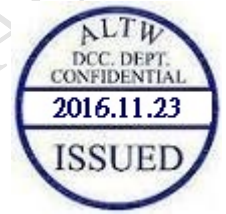
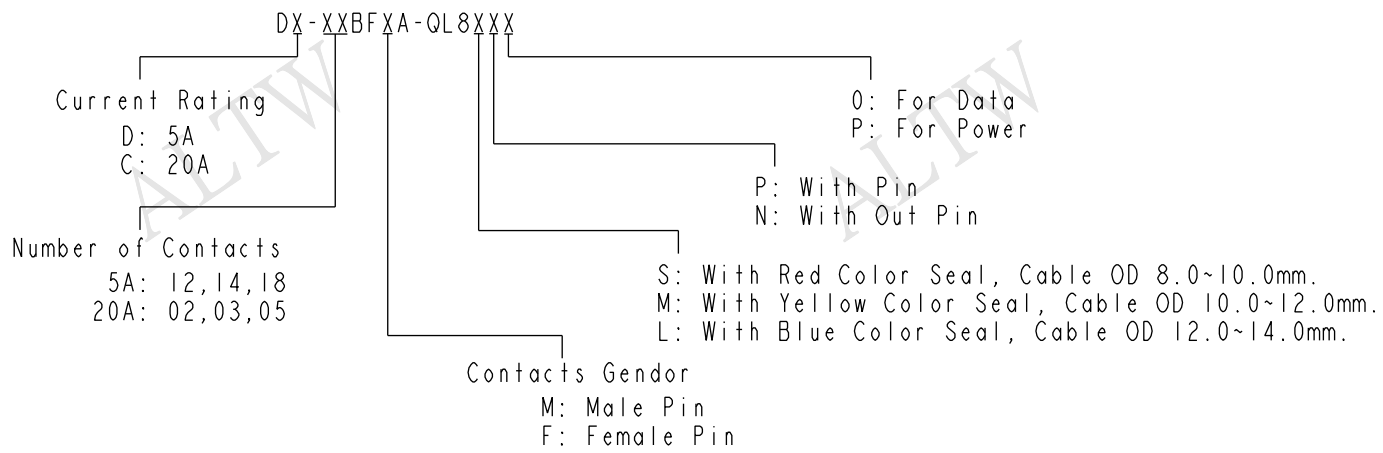
**Amphenol LTW**  
安費諾亮泰企業股份有限公司

|                            |                         |                    |
|----------------------------|-------------------------|--------------------|
| ITEM NO                    | DRAWN BY<br>Victor Hung | DATE<br>2016/11/23 |
| DWG NO<br>DX-XXBFXA-QL8XXX | CHECKED BY<br>Wes Fan   | DATE<br>2016/11/23 |
| CUSTOMER<br>ALTW           | APPROVED BY<br>Kevin Hu | DATE<br>2016/11/23 |



THIS DOCUMENT IS SUBJECT TO CHANGE WITHOUT NOTICE. IT IS CONFIDENTIAL AND A PROPERTY OF AMPHENOL LTW. DISCLOSURE TO THIRD PARTY HAS TO BE AUTHORIZED BY AMPHENOL LTW.

Ordering Information:



Mating Connector:  
 Overmolded with Cable: DX-XXAMXM-QL8XXX  
 Receptacle: DX-XXXMXS-QX8001  
 Field Installable: DX-XXBMXA-QL8XXX

Tool Part No:  
 ASST-C-XXA-W-X

|                            |                                       |                                       |                                       |                                       |                                       |                                       |
|----------------------------|---------------------------------------|---------------------------------------|---------------------------------------|---------------------------------------|---------------------------------------|---------------------------------------|
| Pin Assignments Front View | 20A ;<br>300Vac/Vdc<br>2 Contacts(02) | 20A ;<br>300Vac/Vdc<br>3 Contacts(03) | 20A ;<br>300Vac/Vdc<br>5 Contacts(05) | 5A ;<br>300Vac/Vdc<br>12 Contacts(12) | 5A ;<br>300Vac/Vdc<br>14 Contacts(14) | 5A ;<br>300Vac/Vdc<br>18 Contacts(18) |
| Male Pin                   |                                       |                                       |                                       |                                       |                                       |                                       |
| Female Pin                 |                                       |                                       |                                       |                                       |                                       |                                       |

|                                 |   |                |                     |  |                            |                         |                    |
|---------------------------------|---|----------------|---------------------|--|----------------------------|-------------------------|--------------------|
| UNIT:mm<br>TOLERANCE<br>±0.5 mm | TITLE<br>X-Lok D-Size Field Installable Cable Type F Conn |                |                     | <h1>Amphenol LTW</h1> <p>安費諾亮泰企業股份有限公司</p> | ITEM NO                    | DRAWN BY<br>Victor Hung | DATE<br>2016/11/23 |
|                                 | SCALE<br>8:5  | SIZE<br>A4     | SHEET<br>2 OF 2     |  | DWG NO<br>DX-XXBFXA-QL8XXX | CHECKED BY<br>Wes Fan   | DATE<br>2016/11/23 |
|                                 | REV.<br>A   | WC-REV.<br>A.3 | QC: Inspection item |  | CUSTOMER<br>ALTW           | APPROVED BY<br>Kevin Hu | DATE<br>2016/11/23 |