



Chipsmall Limited consists of a professional team with an average of over 10 year of expertise in the distribution of electronic components. Based in Hongkong, we have already established firm and mutual-benefit business relationships with customers from,Europe,America and south Asia,supplying obsolete and hard-to-find components to meet their specific needs.

With the principle of “Quality Parts,Customers Priority,Honest Operation,and Considerate Service”,our business mainly focus on the distribution of electronic components. Line cards we deal with include Microchip,ALPS,ROHM,Xilinx,Pulse,ON,Everlight and Freescale. Main products comprise IC,Modules,Potentiometer,IC Socket,Relay,Connector.Our parts cover such applications as commercial,industrial, and automotives areas.

We are looking forward to setting up business relationship with you and hope to provide you with the best service and solution. Let us make a better world for our industry!



## Contact us

Tel: +86-755-8981 8866 Fax: +86-755-8427 6832

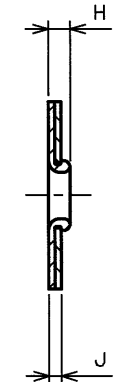
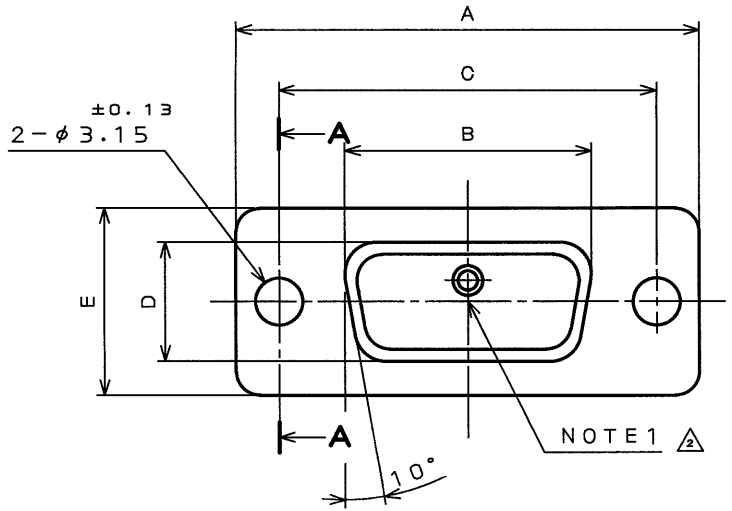
Email & Skype: info@chipsmall.com Web: www.chipsmall.com

Address: A1208, Overseas Decoration Building, #122 Zhenhua RD., Futian, Shenzhen, China

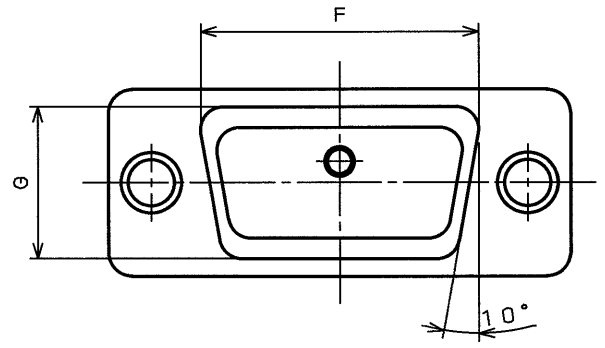
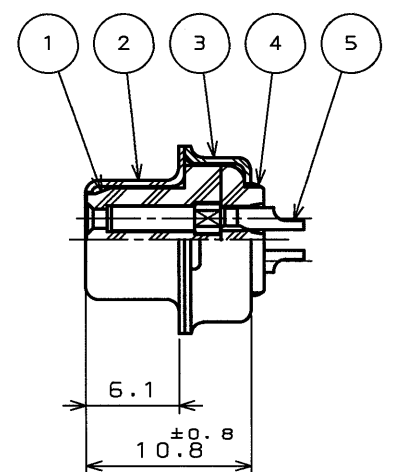


7601094  
 (DRAWING NO.) 台番図

版数 REV.	年月日 DATE	DCN NO.	変更内容 DESCRIPTION	製図 DR.	担当 CHK.	査閲 APPD.	承認 APPD.
2	3.Aug.2000	46567	REVISED RAISED COMPANY LOGO POSITION		Y.SATOU	Y.KUBOTA	Y.HAYASHI
3	11.Oct.2000	46985	CORRECT AN ERROR		Y.SATOU	<i>Y. Kubota</i>	<i>Y. Hayashi</i>

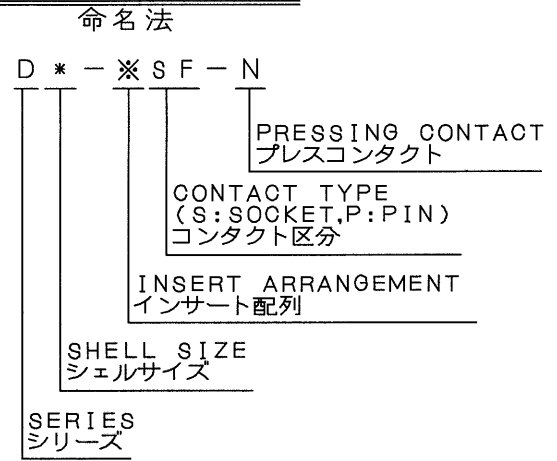


SECT. A-A



- NOTE1. MARK THE COMPANY NAME AND ABBREVIATED PART NUMBER AT THE LOCATION SHOWN IN THE DRAWING.  
 2. APPLICABLE WIRE SIZE : AWG #20 MAX  
 3. FOR INSERT ARRANGEMENT, SEE DWG. NO. SJ010210.  
 4. FOR PANEL CUT-OUT DIMENSION , SEE DWG. NO. SJ013596.
- 注1. 図示の位置に社名及び品名略称を表示する。  
 2. 本コネクタ用使用電線はAWG#20以下のこと。  
 3. インサート配列はSJ010210をを参照のこと。  
 4. パネル取付穴寸法はSJ013596を参照のこと。

DESIGNATION



PART No.	±0.5 A	±0.25 B	C	±0.25 D	±0.5 E	F	G	H	J
DE-9SF-N	30.8	16.26	24.99	7.82	12.6	19.3	10.7	1.2	0.8
DA-15SF-N	39.1	24.59	33.32	7.82	12.6	27.5	10.7	1.2	0.8
DB-25SF-N	53.0	38.30	47.04	7.82	12.6	41.3	10.7	1.2	0.8
DC-37SF-N	69.3	54.76	63.50	7.82	12.6	57.7	10.7	1.2	0.8
DD-50SF-N	66.9	52.34	61.11	10.65	15.4	55.3	13.9	1.2	0.8

符号 NO.	名称 DESCRIPTION	個数 QTY.	材料 MATERIAL	仕上 FINISH	備考 REMARKS
5	CONTACT		COPPER ALLOY	GOLD PLATING	NOTE3
4	REAR INSULATOR	1	PBT	(COLOR: BLACK)	UL94V-0
3	REAR SHELL	1	STEEL	NICKEL PLATING	
2	FRONT SHELL	1	STEEL	NICKEL PLATING	
1	FRONT INSULATOR	1	PBT	(COLOR: BLACK)	

仕様書 (SPECIFICATION) JACS-1045-5	第1版 (ORIGINAL DATE) 30.Mar.1983	尺 (SCALE) 1/50	シリアル (SERIAL) D5
製図 DR. KOMATU	担当 CHK. TASHIRO, NISHINO	名称 (TITLE) D* - * SF - N	
査閲 APPD.	承認 APPD. T.KANEDA	重量 (WEIGHT)	
公差 (GENERAL TOLERANCE)		図面番号 (DRAWING NO.) SJ018094	
寸法 (DIMENSION)	角度 (ANGLES)	版数 (REV.) 3	
±	×° ± 1°		
.X ± 0.4	×° × ±		
.XX ± 0.13			
.XXX ±			

DOF-0-212D(98.02)

CDS-1-3301  
 SIZE