



Chipsmall Limited consists of a professional team with an average of over 10 year of expertise in the distribution of electronic components. Based in Hongkong, we have already established firm and mutual-benefit business relationships with customers from,Europe,America and south Asia,supplying obsolete and hard-to-find components to meet their specific needs.

With the principle of “Quality Parts,Customers Priority,Honest Operation,and Considerate Service”,our business mainly focus on the distribution of electronic components. Line cards we deal with include Microchip,ALPS,ROHM,Xilinx,Pulse,ON,Everlight and Freescale. Main products comprise IC,Modules,Potentiometer,IC Socket,Relay,Connector.Our parts cover such applications as commercial,industrial, and automotives areas.

We are looking forward to setting up business relationship with you and hope to provide you with the best service and solution. Let us make a better world for our industry!



Contact us

Tel: +86-755-8981 8866 Fax: +86-755-8427 6832

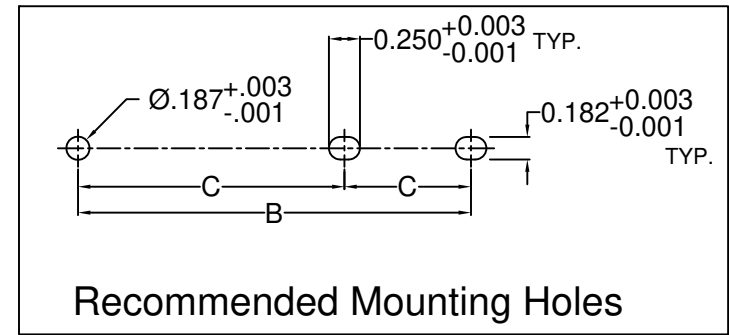
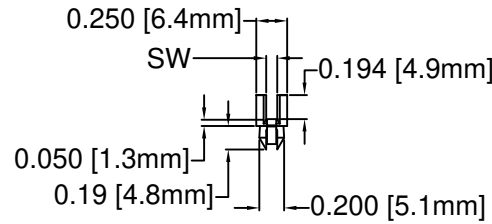
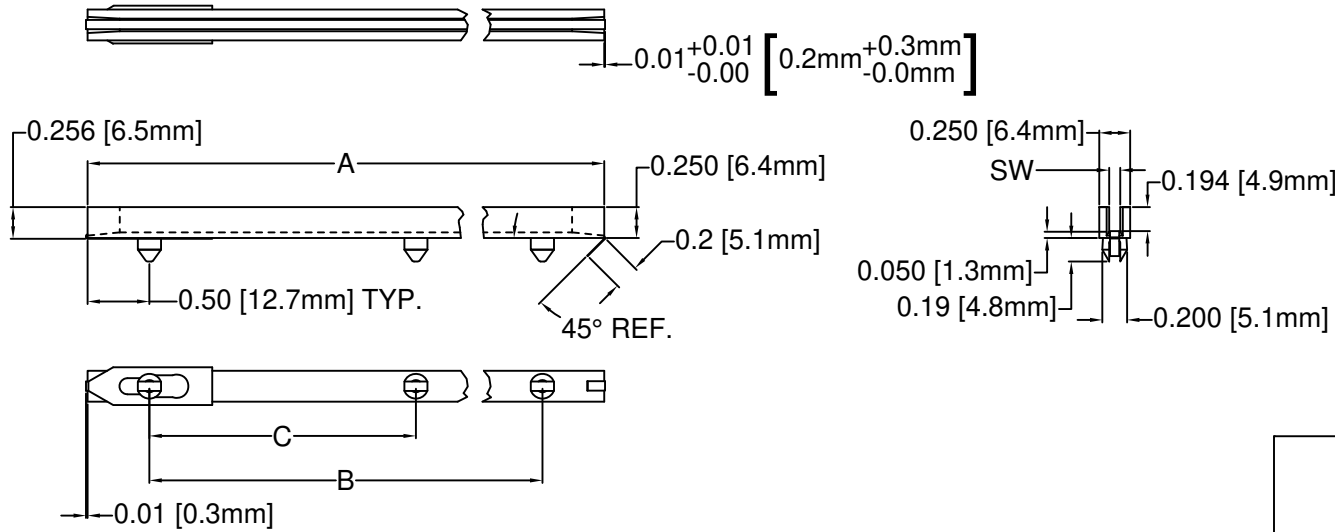
Email & Skype: info@chipsmall.com Web: www.chipsmall.com

Address: A1208, Overseas Decoration Building, #122 Zhenhua RD., Futian, Shenzhen, China



ITEM	QTY	PART NUMBER	PART DESCRIPTION
1	1	DC-XXX-XXX	DEEP CHANNEL PRESS-IN CARD GUIDE
2	1	CS-600 F-10.75	CONDUCTIVE INSERT

REV.	DESCRIPTION	DATE	APPROVED
A	Engineering Release	02/06/03	M. C.
B	ECO#388, Engineering Update.	05/01/03	M. C.
C	Updated Conductive Insert P/N	03/12/08	M. C.
D	12 Additional Lengths Added	07/25/13	T. Y.
E	Engineering Update w/o Changes	05/13/16	J. C.



PART NO.	A ±.062 (1.6)	B ±.032 (.8)	C ±.015 (.4)	S.W. ±.005 (.1)	PCB THICK- NESS	DESC DWG. NO.
DC-250 CI	2.5 (63.5)	1.5 (38.1)	--			84101-01
DC-400 CI	4.0 (101.6)	3.0 (76.2)	--			--
DC-450 CI	4.5 (114.3)	3.5 (88.9)	--			84101-02
DC-500 CI	5.0 (127.0)	4.0 (101.6)	--			--
DC-550 CI	5.5 (139.7)	4.5 (114.3)	--	.080 (2.0)	1/16 (1.6)	--
DC-600 CI	6.0 (152.4)	5.0 (127.0)	--			84101-03
DC-650 CI	6.5 (165.1)	5.5 (139.7)	--			--
DC-700 CI	7.0 (177.8)	6.0 (152.4)	--			--
DC-750 CI	7.5 (190.5)	6.5 (165.1)	--			--
DC-800 CI	8.0 (203.2)	7.0 (177.8)	3.5 (88.9)			84101-04
DC-400-102 CI	4.0 (101.6)	3.0 (76.2)	--			--
DC-450-102 CI	4.5 (114.3)	3.5 (88.9)	--			--
DC-500-102 CI	5.0 (127.0)	4.0 (101.6)	--	.102 (2.6)	3/32 (2.4)	--
DC-550-102 CI	5.5 (139.7)	4.5 (114.3)	--			--
DC-600-102 CI	6.0 (152.4)	5.0 (127.0)	--			--
DC-650-102 CI	6.5 (165.1)	5.5 (139.7)	--			--
DC-700-102 CI	7.0 (177.8)	6.0 (152.4)	--			--
DC-750-102 CI	7.5 (190.5)	6.5 (165.1)	--			--
DC-800-102 CI	8.0 (203.2)	7.0 (177.8)	3.5 (88.9)			--
DC-450-130 CI	4.5 (114.3)	3.5 (88.9)	--			84101-22
DC-600-130 CI	6.0 (152.4)	5.0 (127.0)	--	.132 (3.4)	1/8 (3.2)	84101-23
DC-800-130 CI	8.0 (203.2)	7.0 (177.8)	3.5 (88.9)			84101-24

STANDARD TOLERANCE (UNLESS OTHERWISE SPECIFIED)		BIVAR [®] 4 THOMAS, IRVINE, CA. 92618 TEL: (949) 951-8808 FAX: (949) 951-3974	
DECIMALS	ANGULAR		
.X ±.1	X° ± 1°	TITLE: DEEP CHANNEL CARD GUIDE	
.XX ±.01			
.XXX ±.005			
DESIGNED: D. Green	DATE: 01/06/03	PART NO: DC-XXX-XXX-CI	
CHECKED: M. Chen	DATE: 01/06/03	REVISION: E	
		CAGE CODE : 32559 SHEET # 1 OF 1	
CAD GENERATED DOCUMENT. DO NOT MEASURE DRAWING.			