



Chipsmall Limited consists of a professional team with an average of over 10 year of expertise in the distribution of electronic components. Based in Hongkong, we have already established firm and mutual-benefit business relationships with customers from,Europe,America and south Asia,supplying obsolete and hard-to-find components to meet their specific needs.

With the principle of "Quality Parts,Customers Priority,Honest Operation,and Considerate Service",our business mainly focus on the distribution of electronic components. Line cards we deal with include Microchip,ALPS,ROHM,Xilinx,Pulse,ON,Everlight and Freescale. Main products comprise IC,Modules,Potentiometer,IC Socket,Relay,Connector.Our parts cover such applications as commercial,industrial, and automotives areas.

We are looking forward to setting up business relationship with you and hope to provide you with the best service and solution. Let us make a better world for our industry!



Contact us

Tel: +86-755-8981 8866 Fax: +86-755-8427 6832

Email & Skype: info@chipsmall.com Web: www.chipsmall.com

Address: A1208, Overseas Decoration Building, #122 Zhenhua RD., Futian, Shenzhen, China

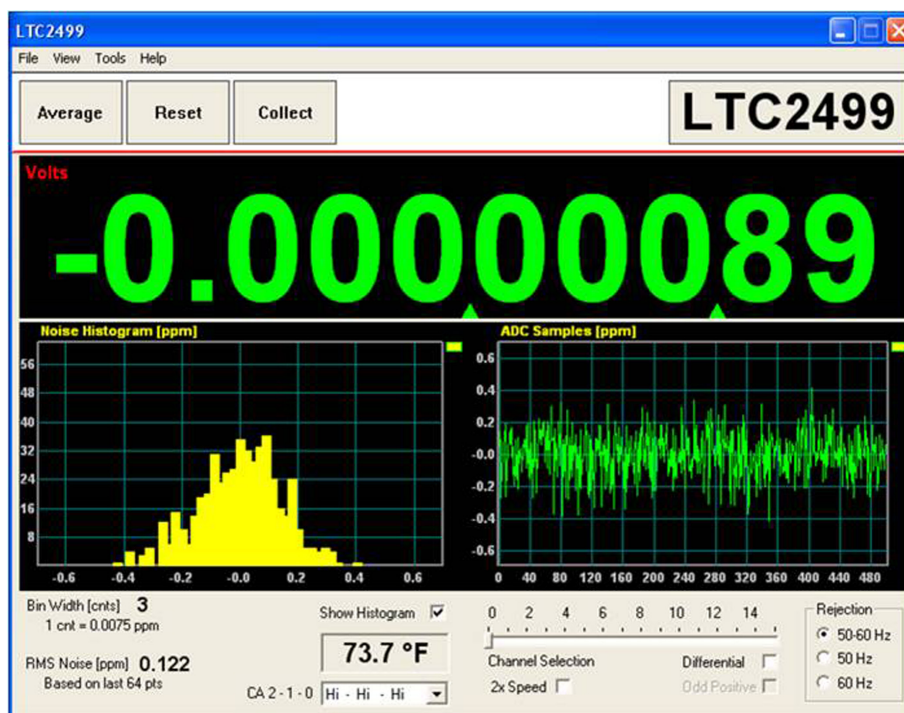


QUICK START PROCEDURE

Connect the DC1012A to a DC590 USB serial controller using the supplied 14-conductor ribbon cable. Connect the DC590 to host PC with a standard USB A/B cable. Run the evaluation software supplied with the DC590 or downloaded from www.linear.com/software. The correct program will be loaded automatically. Click the COLLECT button to start reading the input voltage. The software allows for selecting the input channel, single ended or dif-

ferential mode and 50Hz/60Hz rejection settings. Selecting 2× speed located at the bottom of the strip-chart display will double the data output rate at the expense of offset accuracy (LTC2499 and LTC2495 only).

Tools are available for logging data, changing reference voltage, changing the number of points in the strip chart and histogram, and changing the number of points averaged for the DVM display.



HARDWARE SETUP

Jumpers

JP1, JP3 – Select the source for REF+ and REF–, respectively. REF+ can be 5.00V from the onboard LT1236 reference (default) or supplied externally. REF– can be ground (0V, default) or supplied externally.

JP2 – Select source for analog COM input, either tied to ground or supplied externally to the COM turret post.

JP4 – JP6 – (CA0-CA2) Address select lines. Lines may be 1, 0 or floating for a total of 27 different addresses. The default setting is all 1s.

Connection to DC590 Serial Controller

J2 is the power and digital interface connector. Connect to a DC590 serial controller with the supplied 14-conductor ribbon cable. Digital signals are also connected to through-hole test points on the circuit board.

Analog Connections

Analog signal connections are made via the row of turret posts along the edge of the board. Also, if you are connecting the board to an existing circuit, the exposed ground planes along the edges of the board may be used to form a solid connection between grounds.

HARDWARE SETUP

GND – Ground turrets are connected directly to the internal analog ground plane.

PWR GND – Power ground, connected to the power return trace.

VCC – This is the supply for the ADC. Do not draw any power from this point. External power may be applied to this point after disabling the V_{CC} supply on DC590. See the DC590 quick start guide for details.

REF+, REF- – These turrets are connected to the LTC2495/LTC2497/LTC2499 REF+ and REF- pins. If the onboard reference is being used, the reference voltage may be monitored from this point. An external reference may be connected to these terminals if JP1 and JP3 are configured for external reference.

Note: The REF+ and REF- terminals are decoupled to ground with 0.01 μ F and 4.7 μ F capacitors in parallel. Thus any source connected to these terminals must be able to drive a capacitive load and have very low impedance at DC. Examples are series references that require an output capacitor and C-Load™ stable op amps such as the LT®1219 and LT1368.

CH0 – CH15 – These are the differential inputs to the LTC2499/2497/2495. They may be configured as single-ended inputs with respect to the COM pin, or as differential inputs (CH0-1, CH2-3, etc.) with the polarity software selected.

EXPERIMENTS

Input Noise

Solder a short wire between the CH0 and CH1 turrets. Connect the inputs to ground through a short wire and start taking data. LTC2499 noise should be approximately 0.12ppm of 5V (600nV_{RMS}.) The electrical noise of the LTC2497 is also 600nV_{RMS}, however this is masked by the 76.3 μ V quantization level. If the input is midway between code transitions, the noise level will read zero. If the input is exactly on a code transition such that the two adjacent output codes have equal probability, the noise level will be approximately 7.9ppm. The input noise of the LTC2495 is apparent at very high gain settings (128 or 256.) Note that with a 5V reference and gain set to 256, 1LSB is equal to 298nV – which is lower than the 600nV_{RMS} electrical noise of the input stage.

Common Mode Rejection

Tie the two inputs (still connected together from previous experiment) to ground through a short wire and note the indicated voltage. Tie the inputs to REF+; the difference should be less than 0.5 μ V due to the 140dB+ CMRR of the LTC2499. The LTC2497 will produce less than 1LSB difference.

Input Normal Mode Rejection

The LTC2499 and LTC2495 SINC4 digital filter can be software selected to reject 50Hz, 60Hz by 110dB, or both 50Hz and 60Hz by 87dB. The LTC2497's SINC4 filter is fixed at 50Hz/60Hz. To measure input normal mode rejection, connect COM to a 2.5V source such as an LT1790-2.5 reference or a power supply. Connect any other input (CH0-CH15) to the same supply through a 10k resistor. Apply a 10Hz, 2V peak-to-peak sine wave to the input through a 1 μ F capacitor.

Set the rejection frequency to 55Hz (LTC2499 only) and start taking data. The input noise will be quite large, and the graph of output vs. time should show large variations.

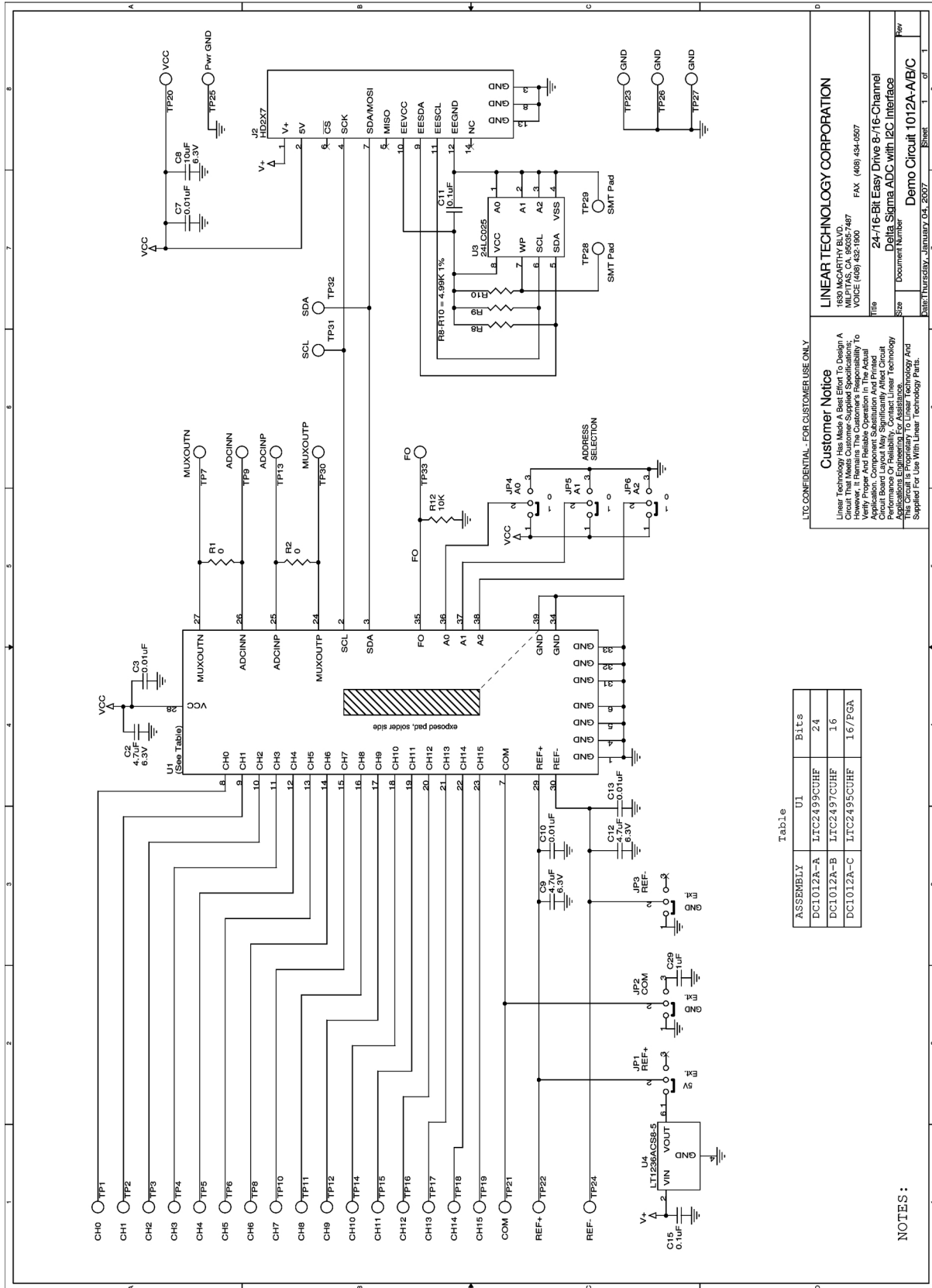
Next, slowly increase the frequency to 55Hz. The noise should be almost undetectable in the graph.

DEMO MANUAL DC1012A

PARTS LIST

ITEM	QTY	REFERENCE	PART DESCRIPTION	MANUFACTURER/PART NUMBER
1	4	C3, C7, C10, C13	CAP., CHIP X7R 0.01 μ F 16V	AVX, 0603YC103KAT1A 0603
2	2	C11, C15	CAP., CHIP X7R 0.1 μ F 16V	AVX, 0603YC104MAT1A 0603
3	1	C29	CAP., CHIP X5R 1 μ F 10V	TAIYO YUDEN, LMK107BJ105KA 0603
4	3	C2, C9, C12	CAP., CHIP X5R 4.7 μ F 6.3V	TAIYO YUDEN, JMK212BJ475MG 0805
5	1	C8	CAP., CHIP X5R 10 μ F 6.3V	TDK, C2012X5R0J106M 0805
6	26	TP1-TP6, TP8, TP10-TP12, TP14-TP27, TP33	TURRET, TESTPOINT 0.064"	MILL-MAX, 2308-2
7	0	TP7, TP9, TP13, TP28, TP29, TP30-TP32	Opt. (SURFACE MOUNT PAD ONLY)	
8	6	JP1-JP6	HEADER, 3-PIN 1 ROW 0.079CC	SAMTEC, TMM-103-02-L-S
9	6	FOR (JP1-JP6)	SHUNT, 0.079" CENTER	SAMTEC, 2SN-BK-G
10	1	J2	HEADER, VERTICAL DUAL 2X7 0.079CC	MOLEX, 87831-1420
11	2	R1, R2	RES., CHIP 0 Ω	VISHAY, CRCW06030000Z0EA
12	3	R8, R9, R10	RES., CHIP 4.99k 1%	AAC, CR16-4991FM 0603
13	1	R12	RES., CHIP 10k 5%	AAC, CR16-103JM 0603
14	1	U4	I.C., PRECISION REFERENCE S08	LINEAR TECH., LT1236ACS8-5#PBF
15	1	U3	I.C., SERIAL EEPROM, TSSOP-8	MICROCHIP, 24LC025-I/ST (PbF)
DC1012A-A				
1	1	U1	I.C., 24-BIT 8-/16-CHANNEL DELTA SIGMA ADCs	LINEAR TECH., LTC2499CUHF 38QFN
DC1012A-B				
1	1	U1	I.C., 16-BIT 8-/16-CHANNEL DELTA SIGMA ADCs	LINEAR TECH., LTC2497CUHF 38QFN
DC1012A-C				
1	1	U1	I.C., 16-BIT 8-/16-CHANNEL DELTA SIGMA ADCs	LINEAR TECH., LTC2495CUHF 38QFN

SCHEMATIC DIAGRAM



LTC CONFIDENTIAL - FOR CUSTOMER USE ONLY

Customer Notice
 Linear Technology Has Made A Best Effort To Design A Circuit That Meets Customer-Supplied Specifications; We Do Not Assume Responsibility For Customer's Failure To Verify Proper And Reliable Operation In The Actual Application. Component Substitution And Printed Circuit Board Or Facility Changes May Affect Circuit Performance. Linear Technology Cannot Assume Responsibility For Applications Engineering For Assistance. This Circuit Is Proprietary To Linear Technology And Supplied For Use With Linear Technology Parts.

Linear Technology Corporation
 1830 MCCARTHY BLVD.
 MILPITAS, CA 95035-7487
 VOICE (408) 632-1300 FAX (408) 434-6507

Title: **24-/16-Bit Easy Drive 8-/16-Channel Delta Sigma ADC with I2C Interface**

Size: _____ Document Number: **DC1012A-A/B/C** Rev: _____
 File: Thursday, January 04, 2007 Sheet _____ of _____



Information furnished by Linear Technology Corporation is believed to be accurate and reliable. However, no responsibility is assumed for its use. Linear Technology Corporation makes no representation that the interconnection of its circuits as described herein will not infringe on existing patent rights.

DEMO MANUAL DC1012A

DEMONSTRATION BOARD IMPORTANT NOTICE

Linear Technology Corporation (LTC) provides the enclosed product(s) under the following **AS IS** conditions:

This demonstration board (DEMO BOARD) kit being sold or provided by Linear Technology is intended for use for **ENGINEERING DEVELOPMENT OR EVALUATION PURPOSES ONLY** and is not provided by LTC for commercial use. As such, the DEMO BOARD herein may not be complete in terms of required design-, marketing-, and/or manufacturing-related protective considerations, including but not limited to product safety measures typically found in finished commercial goods. As a prototype, this product does not fall within the scope of the European Union directive on electromagnetic compatibility and therefore may or may not meet the technical requirements of the directive, or other regulations.

If this evaluation kit does not meet the specifications recited in the DEMO BOARD manual the kit may be returned within 30 days from the date of delivery for a full refund. **THE FOREGOING WARRANTY IS THE EXCLUSIVE WARRANTY MADE BY THE SELLER TO BUYER AND IS IN LIEU OF ALL OTHER WARRANTIES, EXPRESSED, IMPLIED, OR STATUTORY, INCLUDING ANY WARRANTY OF MERCHANTABILITY OR FITNESS FOR ANY PARTICULAR PURPOSE. EXCEPT TO THE EXTENT OF THIS INDEMNITY, NEITHER PARTY SHALL BE LIABLE TO THE OTHER FOR ANY INDIRECT, SPECIAL, INCIDENTAL, OR CONSEQUENTIAL DAMAGES.**

The user assumes all responsibility and liability for proper and safe handling of the goods. Further, the user releases LTC from all claims arising from the handling or use of the goods. Due to the open construction of the product, it is the user's responsibility to take any and all appropriate precautions with regard to electrostatic discharge. Also be aware that the products herein may not be regulatory compliant or agency certified (FCC, UL, CE, etc.).

No License is granted under any patent right or other intellectual property whatsoever. **LTC assumes no liability for applications assistance, customer product design, software performance, or infringement of patents or any other intellectual property rights of any kind.**

LTC currently services a variety of customers for products around the world, and therefore this transaction **is not exclusive**.

Please read the DEMO BOARD manual prior to handling the product. Persons handling this product must have electronics training and observe good laboratory practice standards. **Common sense is encouraged.**

This notice contains important safety information about temperatures and voltages. For further safety concerns, please contact a LTC application engineer.

Mailing Address:

Linear Technology
1630 McCarthy Blvd.
Milpitas, CA 95035

Copyright © 2004, Linear Technology Corporation