



Chipsmall Limited consists of a professional team with an average of over 10 year of expertise in the distribution of electronic components. Based in Hongkong, we have already established firm and mutual-benefit business relationships with customers from,Europe,America and south Asia,supplying obsolete and hard-to-find components to meet their specific needs.

With the principle of “Quality Parts,Customers Priority,Honest Operation,and Considerate Service”,our business mainly focus on the distribution of electronic components. Line cards we deal with include Microchip,ALPS,ROHM,Xilinx,Pulse,ON,Everlight and Freescale. Main products comprise IC,Modules,Potentiometer,IC Socket,Relay,Connector.Our parts cover such applications as commercial,industrial, and automotives areas.

We are looking forward to setting up business relationship with you and hope to provide you with the best service and solution. Let us make a better world for our industry!



Contact us

Tel: +86-755-8981 8866 Fax: +86-755-8427 6832

Email & Skype: info@chipsmall.com Web: www.chipsmall.com

Address: A1208, Overseas Decoration Building, #122 Zhenhua RD., Futian, Shenzhen, China



LT3086
**40V, 2.1A Low Dropout Adjustable
 Linear Regulator with Monitoring
 and Cable Drop Compensation**

DESCRIPTION

Demonstration circuit 1729A is a 2.1A low dropout adjustable linear regulator featuring the [LT[®]3086](#). The device is designed with multiple features and operates over a wide 1.4V to 40V input supply range. The LT3086 requires only one resistor to set the output voltage from 0.4V to 32V and it is stable with ceramic output capacitors requiring a minimum of 10 μ F.

The key features of the LT3086 include programmable cable drop compensation, master/slave configuration for paralleling of multiple devices for higher load current and heat spreading, output current and temperature monitoring, and programmable power good flag.

The LT3086 is offered in the packages of 16-lead DFN, 16-lead TSSOP, 7-lead DD-PAK, and a 7-lead TO-220.

The LT3086 data sheet gives a complete description of the device, operation and application information. The data sheet should be read in conjunction with this quick start guide for working on or modifying the demo circuit 1729A.

Design files for this circuit board are available at <http://www.linear.com/demo>

LT, LT, LTC, LTM, Linear Technology and the Linear logo are registered trademarks of Linear Technology Corporation. All other trademarks are the property of their respective owners.

PERFORMANCE SUMMARY Specifications are at T_A = 25°C

SYMBOL	PARAMETER	CONDITIONS	MIN	TYP	MAX	UNITS
V _{IN}	Input Supply Range	V _{OUT} = 1V, I _{OUT1} = 1mA	1.55		40	V
V _{OUT}	Output Voltage	Shunt at 1, 2 for JP1	0.97	1	1.03	V
		Shunt at 3, 4 for JP1	1.164	1.2	1.236	V
		Shunt at 5, 6 for JP1	1.455	1.5	1.545	V
		Shunt at 7, 8 for JP1	3.201	3.3	3.399	V
		Shunt at 9, 10 for JP1	4.85	5	5.15	V
		Shunt at 11, 12 for JP1 and R10 Stuffed as 232k	11.64	12	12.36	V
I _{OUT}	Maximum Output Current	(Note 1)	2.1			A

Note 1: The maximum output current 2.1A is when the internal current limit is active and when V_{IN}-V_{OUT} is smaller than 9V. For the maximum output current under other conditions, please refer to the data sheet.

QUICK START PROCEDURE

Demonstration circuit 1729A is easy to set up to evaluate the performance of the LT3086. Refer to Figure 1 for proper measurement equipment setup and follow the procedure below:

Note: When measuring the input or output voltage ripple, care must be taken to avoid a long ground lead on the oscilloscope probe. Measure the input or output voltage ripple by touching the probe tip directly across the terminals of the input or output capacitors. See Figure 2 for proper scope probe technique.

1. Use JP1 to set the desired output voltage.
2. With power off, connect the input power supply to VIN and GND.

3. Turn on the power at the VIN.

Note: Make sure that the VIN voltage does not exceed 40V.

4. Check for the proper output voltages:

Note: If there is no output, temporarily disconnect the load to make sure that the load is not set too high or is shorted.

5. Once the proper output voltages are established, adjust the loads within the operating range and observe the output voltage regulation, efficiency and other parameters.

Note: Make sure that the power dissipation is limited below the thermal limit.

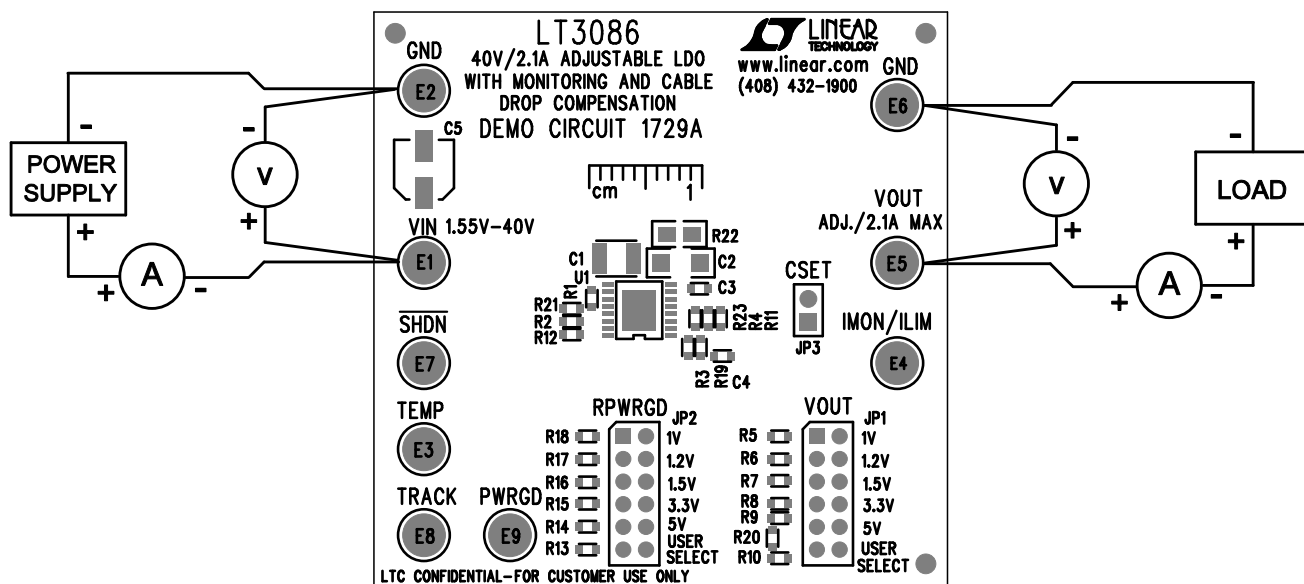


Figure 1. DC1729A Proper Equipment Setup

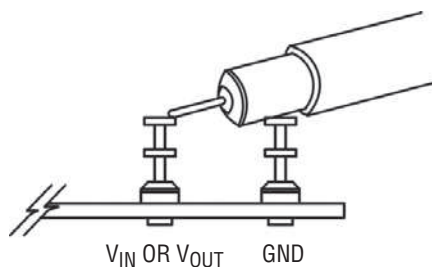


Figure 2. Measuring Input or Output Ripple

THERMAL IMAGE

An example thermal image shows the temperature distribution on the board. The test is done in still air at room temperature with 2.2W power dissipation in the LT3086.

This gives the IC case-to-ambient thermal resistance $\theta_{JA} = 23^{\circ}\text{C}/\text{W}$ on the demo board.

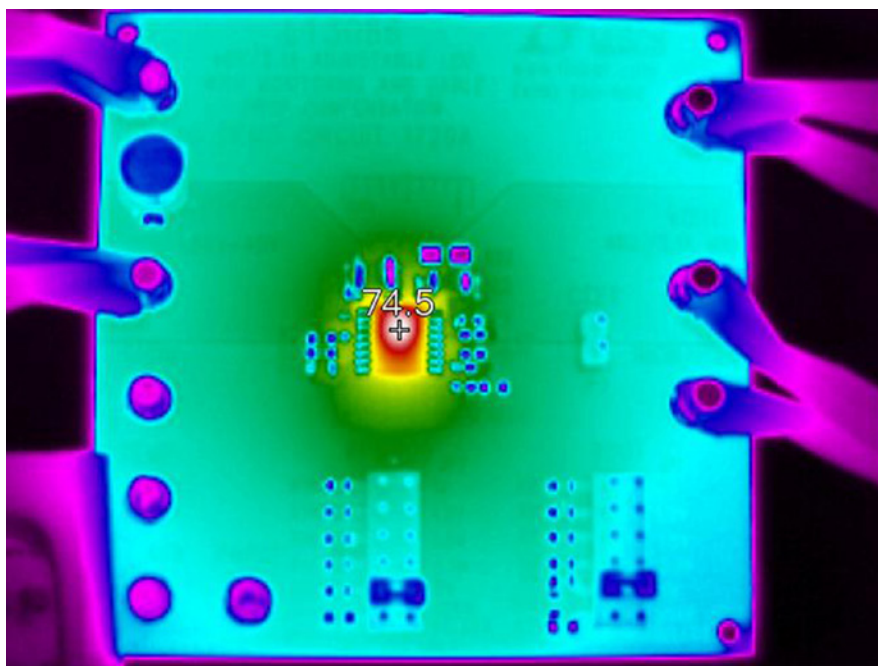


Figure 3. Temperature Rise at 2.2W Dissipation

CABLE DROP COMPENSATION

The power good setting jumper JP2 on the DC1729A is used for setting the power good threshold for the corresponding output voltages. JP2 needs to be configured at the same position as JP1 for any specific output volt-

ages. For example, when JP1 is configured on 7 and 8 for $3.3V_{OUT}$, JP2 also needs to be configured on 7 and 8 for the correct power good setting for $3.3V_{OUT}$.

POWER GOOD SETTING

The cable drop compensation on the DC1729A can be turned on by placing R4 (R_{CDC}) with a value which is governed by the following equation provided in the data sheet:

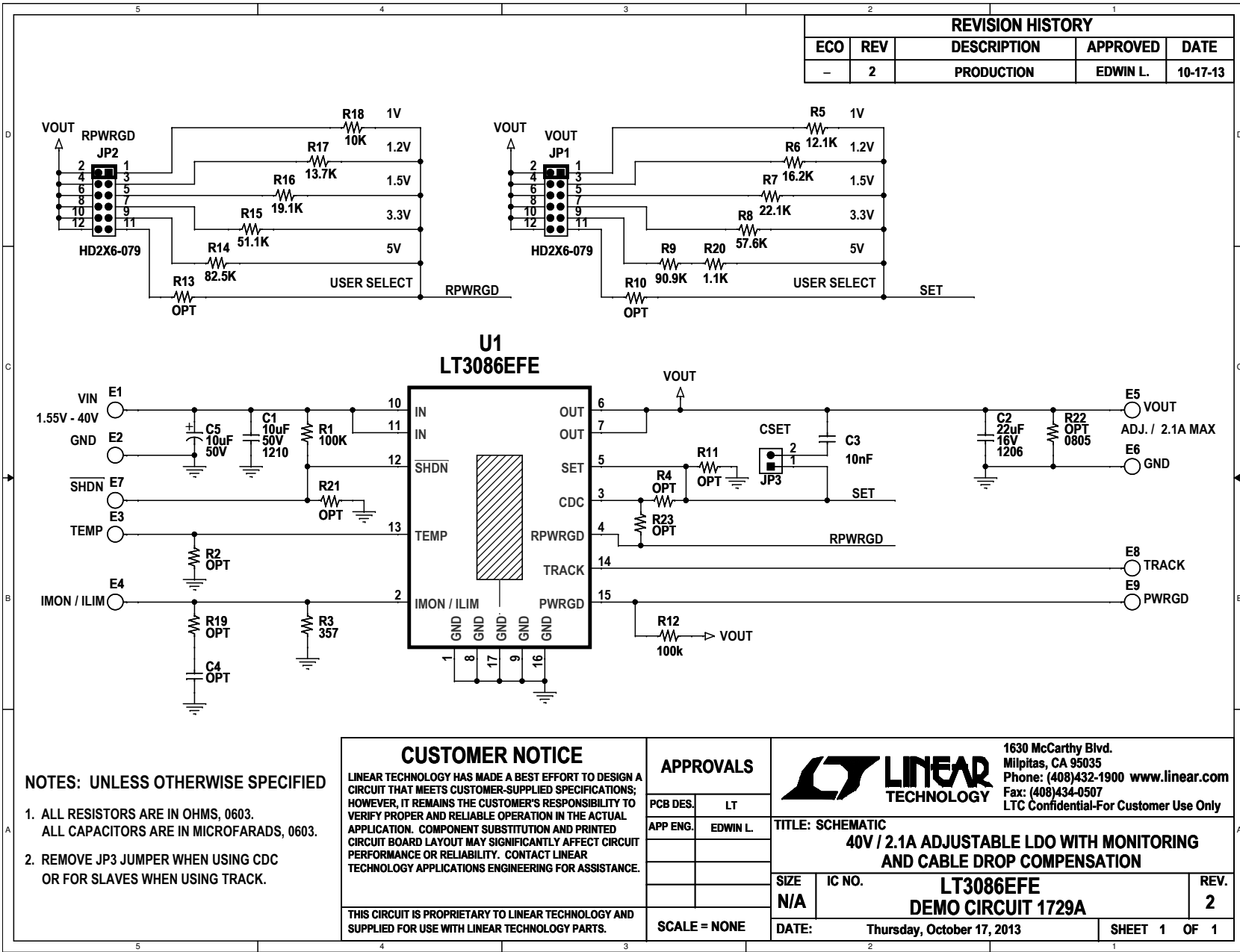
$$R_{CDC} = \frac{R_{MON} \cdot R_{SET}}{3000 \cdot R_{WIRE}}$$

Please note that when cable drop compensation is activated, it also changes the power good threshold. R23 needs to be the same value as R4 in order to keep the same output voltage power good threshold at the load.

DEMO MANUAL DC1729A

PARTS LIST

ITEM	QTY	REFERENCE	PART DESCRIPTION	MANUFACTURER/PART NUMBER
Required Circuit Components				
1	1	C1	CAP., X7R, 10µF 50V, 10%, 1210	MURATA, GRM32ER71H106KA12L
2	1	C2	CAP., X5R, 22µF 16V, 10%, 1206	AVX, 1206YD226KAT2A
3	1	C3	CAP., X7R, 10nF 25V, 10%, 0603	AVX, 06033C103KAT2A
4	2	R1, R12	RES., CHIP, 100k, 1/16W, 1% 0603	VISHAY, CRCW0603100KFKEA
5	1	R3	RES., CHIP, 357Ω, 1/16W, 1% 0603	VISHAY, CRCW0603357RFKEA
6	1	R5	RES., CHIP, 12.1k, 1/16W, 1% 0603	VISHAY, CRCW060312K1FKEA
7	1	R6	RES., CHIP, 16.2k, 1/16W, 1% 0603	VISHAY, CRCW060316K2FKEA
8	1	R7	RES., CHIP, 22.1k, 1/16W, 1% 0603	VISHAY, CRCW060322K1FKEA
9	1	R8	RES., CHIP, 57.6k, 1/16W, 1% 0603	VISHAY, CRCW060357K6FKEA
10	1	R9	RES., CHIP, 90.9k, 1/16W, 1% 0603	VISHAY, CRCW060390K9FKEA
11	1	R14	RES., CHIP, 82.5k, 1/16W, 1% 0603	VISHAY, CRCW060382K5FKEA
12	1	R15	RES., CHIP, 51.1k, 1/16W, 1% 0603	VISHAY, CRCW060351K1FKEA
13	1	R16	RES., CHIP, 19.1k, 1/16W, 1% 0603	VISHAY, CRCW060319K1FKEA
14	1	R17	RES., CHIP, 13.7k, 1/16W, 1% 0603	VISHAY, CRCW060313K7FKEA
15	1	R18	RES., CHIP, 10k, 1/16W, 1% 0603	NIC, NRC06F1002TRF
16	1	R20	RES., CHIP, 1.1k, 1/16W, 1% 0603	VISHAY, CRCW06031K10FKEA
17	1	U1	I.C., LT3086EFE, TSSOP16EFE-BB	LINEAR TECH., LT3086EFE
Additional Demo Board Circuit Components				
1	0	C4	CAP., OPT 0603	
2	1	C5	CAP., SMT, 10µF 50V, 50CE10BSS	SANYO, 50CE10BSS
3	0	R2, R4, R10, R11, R13, R19, R21, R23	RES., CHIP, OPT 0603	OPT
4	0	R22	RES., CHIP, OPT 0805	OPT
Hardware-For Demo Board Only				
1	9	E1, E2, E3, E4, E5, E6, E7, E8, E9	TP, TURRET, 0.094"	MILL-MAX, 2501-2-00-80-00-00-07-0
2	2	JP1, JP2	JMP, 2X6, 0.079"	SULLINS, NRPNO62PAEN-RC
3	1	JP3	JMP, 1X2, 0.079"	SULLINS, NRPNO21PAEN-RC
4	2	XJP1, XJP2	SHUNT, 0.079" CENTER	SAMTEC, 2SN-BK-G




NOTES: UNLESS OTHERWISE SPECIFIED

1. ALL RESISTORS ARE IN OHMS, 0603.
ALL CAPACITORS ARE IN MICROFARADS, 0603.
2. REMOVE JP3 JUMPER WHEN USING CDC OR FOR SLAVES WHEN USING TRACK.

CUSTOMER NOTICE
 LINEAR TECHNOLOGY HAS MADE A BEST EFFORT TO DESIGN A CIRCUIT THAT MEETS CUSTOMER-SUPPLIED SPECIFICATIONS; HOWEVER, IT REMAINS THE CUSTOMER'S RESPONSIBILITY TO VERIFY PROPER AND RELIABLE OPERATION IN THE ACTUAL APPLICATION. COMPONENT SUBSTITUTION AND PRINTED CIRCUIT BOARD LAYOUT MAY SIGNIFICANTLY AFFECT CIRCUIT PERFORMANCE OR RELIABILITY. CONTACT LINEAR TECHNOLOGY APPLICATIONS ENGINEERING FOR ASSISTANCE.

THIS CIRCUIT IS PROPRIETARY TO LINEAR TECHNOLOGY AND SUPPLIED FOR USE WITH LINEAR TECHNOLOGY PARTS.

APPROVALS	
PCB DES.	LT
APP ENG.	EDWIN L.
SCALE = NONE	



1630 McCarthy Blvd.
 Milpitas, CA 95035
 Phone: (408)432-1900 www.linear.com
 Fax: (408)434-0507
 LTC Confidential-For Customer Use Only

TITLE: SCHEMATIC		REV. 2
40V / 2.1A ADJUSTABLE LDO WITH MONITORING AND CABLE DROP COMPENSATION		
SIZE N/A	IC NO. LT3086EFE DEMO CIRCUIT 1729A	
DATE:	Thursday, October 17, 2013	SHEET 1 OF 1

DEMO MANUAL DC1729A

DEMONSTRATION BOARD IMPORTANT NOTICE

Linear Technology Corporation (LTC) provides the enclosed product(s) under the following **AS IS** conditions:

This demonstration board (DEMO BOARD) kit being sold or provided by Linear Technology is intended for use for **ENGINEERING DEVELOPMENT OR EVALUATION PURPOSES ONLY** and is not provided by LTC for commercial use. As such, the DEMO BOARD herein may not be complete in terms of required design-, marketing-, and/or manufacturing-related protective considerations, including but not limited to product safety measures typically found in finished commercial goods. As a prototype, this product does not fall within the scope of the European Union directive on electromagnetic compatibility and therefore may or may not meet the technical requirements of the directive, or other regulations.

If this evaluation kit does not meet the specifications recited in the DEMO BOARD manual the kit may be returned within 30 days from the date of delivery for a full refund. **THE FOREGOING WARRANTY IS THE EXCLUSIVE WARRANTY MADE BY THE SELLER TO BUYER AND IS IN LIEU OF ALL OTHER WARRANTIES, EXPRESSED, IMPLIED, OR STATUTORY, INCLUDING ANY WARRANTY OF MERCHANTABILITY OR FITNESS FOR ANY PARTICULAR PURPOSE. EXCEPT TO THE EXTENT OF THIS INDEMNITY, NEITHER PARTY SHALL BE LIABLE TO THE OTHER FOR ANY INDIRECT, SPECIAL, INCIDENTAL, OR CONSEQUENTIAL DAMAGES.**

The user assumes all responsibility and liability for proper and safe handling of the goods. Further, the user releases LTC from all claims arising from the handling or use of the goods. Due to the open construction of the product, it is the user's responsibility to take any and all appropriate precautions with regard to electrostatic discharge. Also be aware that the products herein may not be regulatory compliant or agency certified (FCC, UL, CE, etc.).

No License is granted under any patent right or other intellectual property whatsoever. **LTC assumes no liability for applications assistance, customer product design, software performance, or infringement of patents or any other intellectual property rights of any kind.**

LTC currently services a variety of customers for products around the world, and therefore this transaction **is not exclusive**.

Please read the DEMO BOARD manual prior to handling the product. Persons handling this product must have electronics training and observe good laboratory practice standards. **Common sense is encouraged.**

This notice contains important safety information about temperatures and voltages. For further safety concerns, please contact a LTC application engineer.

Mailing Address:

Linear Technology
1630 McCarthy Blvd.
Milpitas, CA 95035

Copyright © 2004, Linear Technology Corporation