



Chipsmall Limited consists of a professional team with an average of over 10 year of expertise in the distribution of electronic components. Based in Hongkong, we have already established firm and mutual-benefit business relationships with customers from,Europe,America and south Asia,supplying obsolete and hard-to-find components to meet their specific needs.

With the principle of “Quality Parts,Customers Priority,Honest Operation,and Considerate Service”,our business mainly focus on the distribution of electronic components. Line cards we deal with include Microchip,ALPS,ROHM,Xilinx,Pulse,ON,Everlight and Freescale. Main products comprise IC,Modules,Potentiometer,IC Socket,Relay,Connector.Our parts cover such applications as commercial,industrial, and automotives areas.

We are looking forward to setting up business relationship with you and hope to provide you with the best service and solution. Let us make a better world for our industry!



Contact us

Tel: +86-755-8981 8866 Fax: +86-755-8427 6832

Email & Skype: info@chipsmall.com Web: www.chipsmall.com

Address: A1208, Overseas Decoration Building, #122 Zhenhua RD., Futian, Shenzhen, China



LT3045EDD-1 20V, 500mA, Ultralow Noise Ultrahigh PSRR RF LDO Regulator with VIOC

DESCRIPTION

Demonstration circuit DC2593A features the [LT[®]3045EDD-1](#), a 500mA, ultralow noise, and ultrahigh power supply rejection ratio (PSRR) low dropout (LDO) regulator with programmable current limit. Additionally, the LT3045-1 incorporates a VIOC tracking function to control an upstream switching converter to maintain a constant voltage across the LT3045-1 and hence minimize power dissipation.

DC2593A operates over an input range of 3.8V to 20V. The LT3045-1 delivers a maximum output current of 500mA. It features ultralow noise and ultrahigh PSRR. The power good feedback (PGFB) pin is used to set a programmable power good threshold. This IC also offers programmable current limit functionality. Current monitoring is also achieved by sensing the ILIM pin voltage.

Built-in protection includes reverse battery protection, reverse current protection, internal current limit with fold-back, and thermal limit with hysteresis.

The LT3045-1 data sheet gives a complete description of the device, operation and applications information. The data sheet must be read in conjunction with this demo manual for demonstration circuit DC2593A. The LT3045-1EDD is assembled in a 12-lead (3mm × 3mm) plastic DFN package with an exposed pad on the bottom side of the IC. Proper board layout is essential for maximum thermal performance.

Design files for this circuit board are available at <http://www.linear.com/demo/DC2593A>

LT, LT, LTC, LTM, Linear Technology and the Linear logo are registered trademarks of Analog Devices, Inc. All other trademarks are the property of their respective owners.

PERFORMANCE SUMMARY Specifications are at T_A = 25°C

PARAMETER	CONDITIONS	MIN	TYP	MAX
Input Voltage Range (V _{IN})	I _{OUT} = 150mA, V _{OUT} = 3.3V	3.8V		20V
Input Voltage Range (V _{IN})	I _{OUT} = 500mA, V _{OUT} = 3.3V	3.8V		9.3V*
Output Voltage (V _{OUT})	V _{IN} = 5V, I _{OUT} = 500mA	3.2V	3.3V	3.4V
Shutdown Input Current (I _{IN})	JP1 = OFF, V _{IN} = 5V		0.1µA	

*The maximum input voltage for 500mA load current is set by the 65°C temperature rise of LT3045-1 on the demo circuit. Higher input voltage can be reached if larger copper area or force-air cooling is applied. The output current is also limited by the differential of input and output voltage, please refer the data sheet for details.

QUICK START PROCEDURE

DC2593A is easy to set up to evaluate the performance of the LT3045EDD-1. Refer to Figure 1 for proper measurement equipment setup and follow the procedure below.

1. Connect load between V_{OUT} and GND terminals.
2. With power off, connect the input power supply to the V_{IN} and GND terminals.
3. Make sure the shunt of JP1 is at ON option.
4. Turn the input power supply on and make sure the voltage is between 3.8V and 20V.
5. Refer to Application Notes AN70 and AN159 for measuring output noise and PSRR.
6. With JP1 at USER SELECT option, R4 and R2 can be used to set an accurate undervoltage lockout (UVLO) threshold.

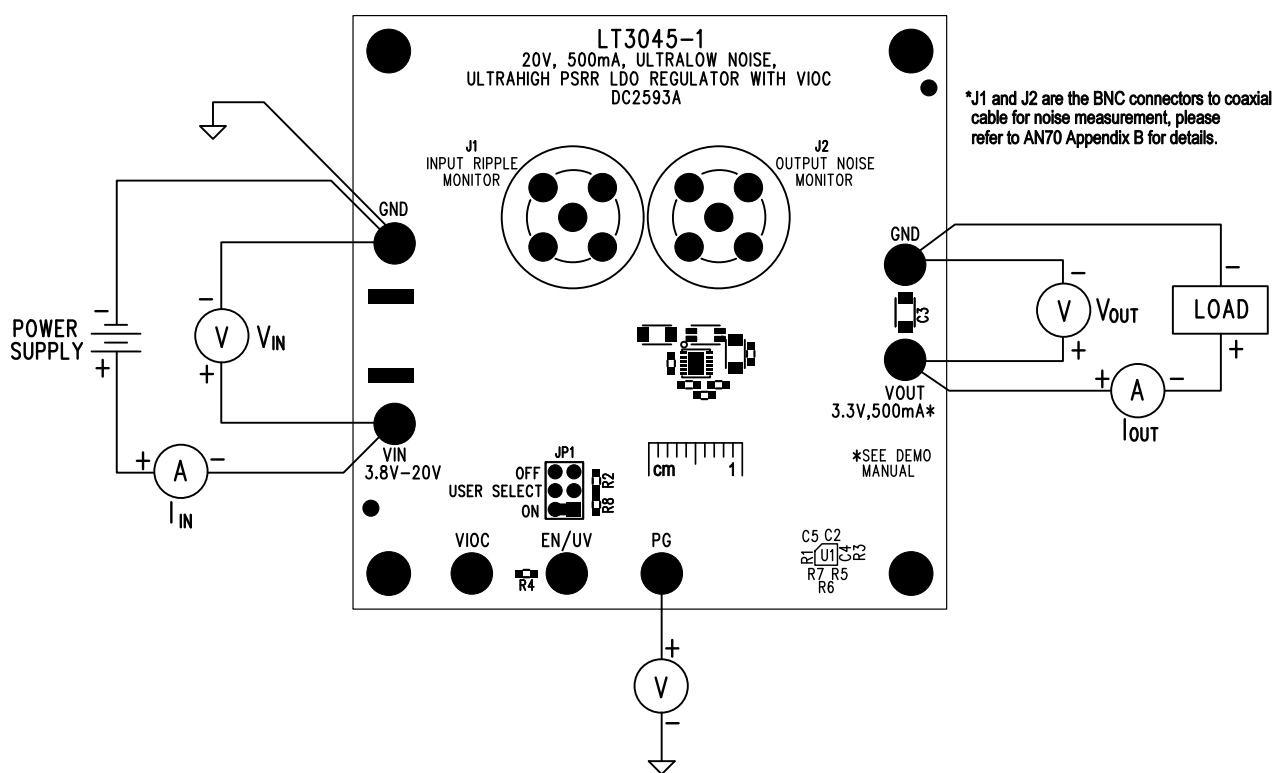


Figure 1. Test Procedure Setup Drawing for DC2593A

PCB LAYOUT

Best PSRR Performance: PCB Layout for Input Trace

For applications utilizing the LT3045-1 for post-regulating switching converters, placing a capacitor directly at the LT3045-1 input results in AC current (at the switching frequency) to flow near the LT3045-1. Without careful attention to PCB layout, this relatively high frequency switching current generates an electromagnetic field (EMF) that couples to the LT3045-1 output, thereby degrading its effective PSRR. While highly dependent on the PCB, the switching pre-regulator, and the input capacitor size, among other factors, the PSRR degradation can easily be 30dB at 1MHz. This degradation is present even if the LT3045-1 is de-soldered from the board, because it effectively degrades the PSRR of the PCB itself. While negligible for conventional low PSRR LDOs, LT3045-1's ultrahigh PSRR requires careful attention to higher order parasitics in order to realize the full performance offered by the regulator.

The LT3045-1 demo board alleviates this degradation in PSRR by using a specialized layout technique. On layer 3, the input trace (V_{IN}) is highlighted in red, with the return path (GND) highlighted on the bottom layer together with input capacitor C1. When an AC voltage is applied to the input of the board, AC current flows on this path, thus generating EMF. This EMF couples to output capacitor C2 and related traces, making the PSRR appear worse than it actually is. **With the input trace directly above the return path, the EMFs are in opposite directions, and consequently cancel each other out. Making sure these traces exactly overlap each other maximizes the cancellation effect and thus provides the maximum PSRR offered by the regulator.**

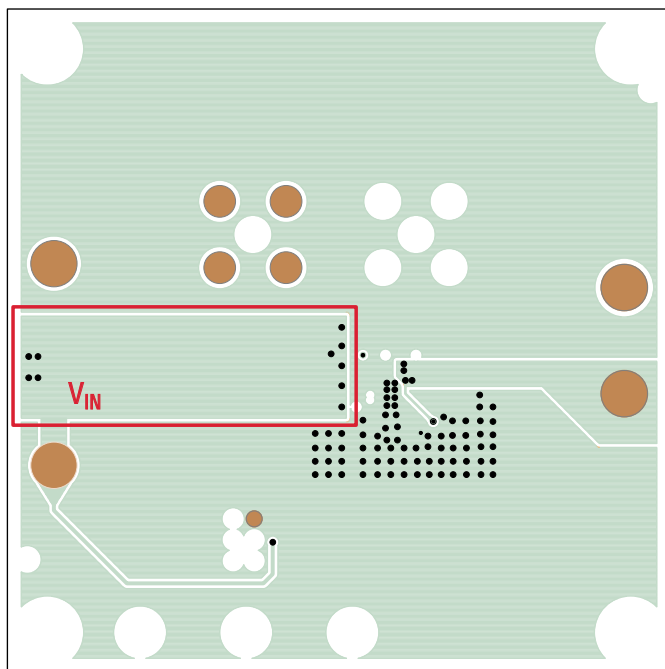


Figure 2. Layer 3 of DC2593A

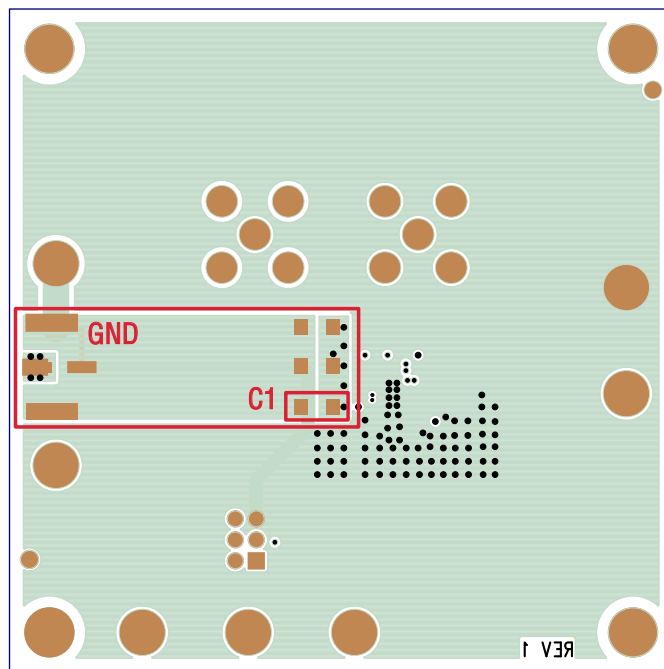


Figure 3. Bottom Layer of DC2593A

PCB LAYOUT

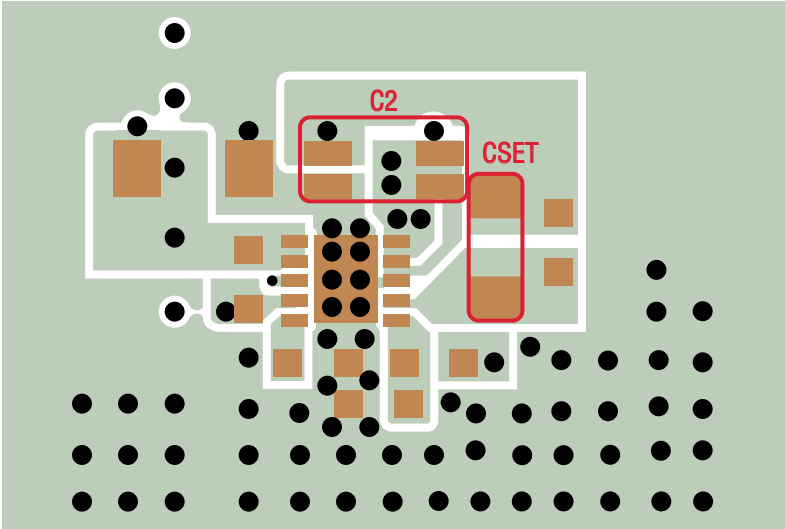


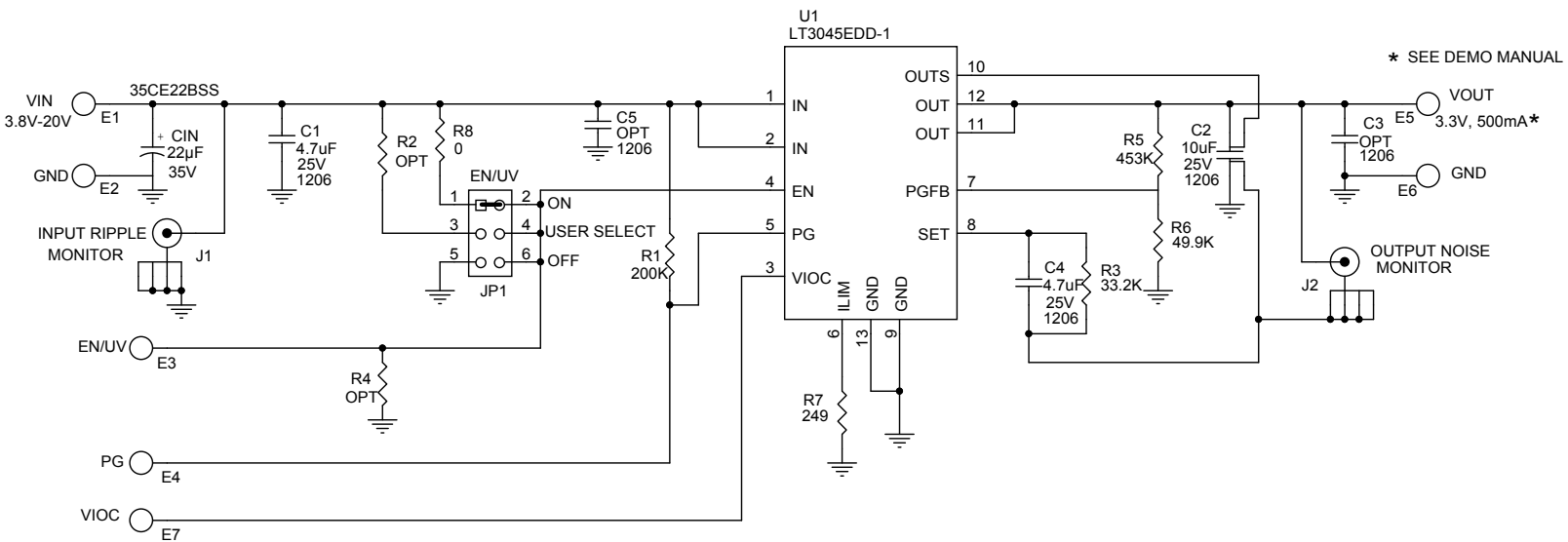
Figure 5. Split Pads for C2 on Top Layer of DC2593A

DEMO MANUAL DC2593A

PARTS LIST

ITEM	QTY	REFERENCE	PART DESCRIPTION	MANUFACTURER/PART NUMBER
Required Circuit Components				
1	1	C1N	CAP, ALUM, 22 μ F, 35V, 5MM \times 5.4MM	SUN ELECTRONIC INDUSTRIES CORP, 35CE22BSS
2	2	C1, C4	CAP, X7R, 4.7 μ F, 25V, 10% 1206	MURATA, GRM31CR71E475KA88L
3	1	C2	CAP, X5R, 10 μ F, 25V, 10% 1206	MURATA, GJ831CR61E106KE83L
4	1	R1	RES, CHIP, 200k, 1/10W, 5% 0603	VISHAY, CRCW0603200KJNED
5	1	R3	RES, CHIP, 33.2k, 1/10W, 1% 0603	VISHAY, CRCW060333K2FKEA
6	1	R5	RES, CHIP, 453k, 1/10W, 1% 0603	VISHAY, CRCW0603453KFKEA
7	1	R6	RES, CHIP, 49.9k, 1/10W, 1% 603	VISHAY, CRCW060349K9FKEA
8	1	R7	RES, CHIP, 249, 1/10W, 1% 0603	VISHAY, CRCW0603249RFKEA
9	1	U1	IC, LT3045VIEDD-1 12PIN DFN 3MM \times 3MM	LINEAR TECHNOLOGY, LT3045VIEDD-1#PBF
Additional Demo Board Circuit Components				
1	0	R2, R4 (OPT)	RES, 0603	
2	0	C3, C5 (OPT)	CAP, 1206	
3	1	R8	RES, CHIP, 0, 1/10W, 5% 0603	VISHAY, CRCW06030000Z0EA
Hardware: For Demo Board Only				
1	7	E1 TO E7	TESTPOINT, TURRET, 0.094" PBF	MILL-MAX, 2501-2-00-80-00-00-07-0
2	1	JP1	HEADER 3 PIN 0.079 DOUBLE ROW	WURTH ELEKTRONIK, 62000621121
3	1	XJP1	SHUNT, 0.079" CENTER	WURTH ELEKTRONIK, 60800213421
4	2	J1, J2	CONN, BNC, 5 PINS	CONNEX, 112404
5	4	MH1 TO MH4	STAND-OFF, NYLON 6.4mm	WURTH ELEKTRONIK, 702931000

SCHEMATIC DIAGRAM



NOTE: UNLESS OTHERWISE SPECIFIED

1. ALL RESISTORS ARE 0603.

Information furnished by Linear Technology Corporation is believed to be accurate and reliable. However, no responsibility is assumed for its use. Linear Technology Corporation makes no representation that the interconnection of its circuits as described herein will not infringe on existing patent rights.

DEMO MANUAL DC2593A

DEMONSTRATION BOARD IMPORTANT NOTICE

Linear Technology Corporation (LTC) provides the enclosed product(s) under the following **AS IS** conditions:

This demonstration board (DEMO BOARD) kit being sold or provided by Linear Technology is intended for use for **ENGINEERING DEVELOPMENT OR EVALUATION PURPOSES ONLY** and is not provided by LTC for commercial use. As such, the DEMO BOARD herein may not be complete in terms of required design-, marketing-, and/or manufacturing-related protective considerations, including but not limited to product safety measures typically found in finished commercial goods. As a prototype, this product does not fall within the scope of the European Union directive on electromagnetic compatibility and therefore may or may not meet the technical requirements of the directive, or other regulations.

If this evaluation kit does not meet the specifications recited in the DEMO BOARD manual the kit may be returned within 30 days from the date of delivery for a full refund. **THE FOREGOING WARRANTY IS THE EXCLUSIVE WARRANTY MADE BY THE SELLER TO BUYER AND IS IN LIEU OF ALL OTHER WARRANTIES, EXPRESSED, IMPLIED, OR STATUTORY, INCLUDING ANY WARRANTY OF MERCHANTABILITY OR FITNESS FOR ANY PARTICULAR PURPOSE. EXCEPT TO THE EXTENT OF THIS INDEMNITY, NEITHER PARTY SHALL BE LIABLE TO THE OTHER FOR ANY INDIRECT, SPECIAL, INCIDENTAL, OR CONSEQUENTIAL DAMAGES.**

The user assumes all responsibility and liability for proper and safe handling of the goods. Further, the user releases LTC from all claims arising from the handling or use of the goods. Due to the open construction of the product, it is the user's responsibility to take any and all appropriate precautions with regard to electrostatic discharge. Also be aware that the products herein may not be regulatory compliant or agency certified (FCC, UL, CE, etc.).

No License is granted under any patent right or other intellectual property whatsoever. **LTC assumes no liability for applications assistance, customer product design, software performance, or infringement of patents or any other intellectual property rights of any kind.**

LTC currently services a variety of customers for products around the world, and therefore this transaction **is not exclusive**.

Please read the DEMO BOARD manual prior to handling the product. Persons handling this product must have electronics training and observe good laboratory practice standards. **Common sense is encouraged.**

This notice contains important safety information about temperatures and voltages. For further safety concerns, please contact a LTC application engineer.

Mailing Address:

Linear Technology
1630 McCarthy Blvd.
Milpitas, CA 95035

Copyright © 2004, Linear Technology Corporation