



Chipsmall Limited consists of a professional team with an average of over 10 year of expertise in the distribution of electronic components. Based in Hongkong, we have already established firm and mutual-benefit business relationships with customers from,Europe,America and south Asia,supplying obsolete and hard-to-find components to meet their specific needs.

With the principle of “Quality Parts,Customers Priority,Honest Operation,and Considerate Service”,our business mainly focus on the distribution of electronic components. Line cards we deal with include Microchip,ALPS,ROHM,Xilinx,Pulse,ON,Everlight and Freescale. Main products comprise IC,Modules,Potentiometer,IC Socket,Relay,Connector.Our parts cover such applications as commercial,industrial, and automotives areas.

We are looking forward to setting up business relationship with you and hope to provide you with the best service and solution. Let us make a better world for our industry!



Contact us

Tel: +86-755-8981 8866 Fax: +86-755-8427 6832



Email & Skype: info@chipsmall.com Web: www.chipsmall.com

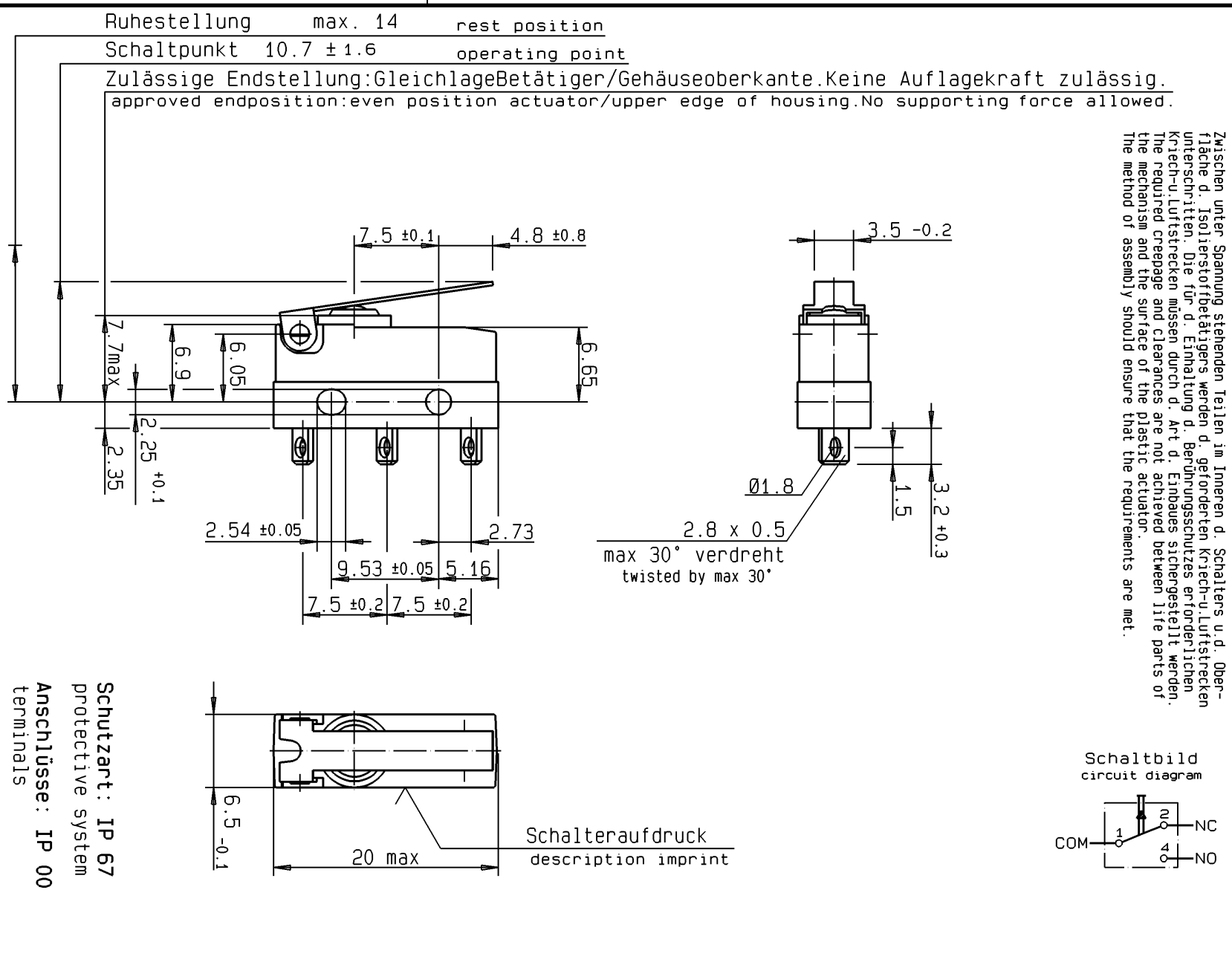
Address: A1208, Overseas Decoration Building, #122 Zhenhua RD., Futian, Shenzhen, China



Ind. Rev.	04	Datum	12.07.00	Schem	135151
Werkstoffe / Materials:		Sockerl : PET sw 30XGV UL 94 V-0			
Deckel cover		: PBT sw UL 94 V-0			
Betätiger actuator		: PBT UL 94 V-0			
Anschlüsse terminals		: CuZn10 gal. Ag/silver plated			
Kontakte contacts		: AgNi10			
Zusatzbetätiger: XSCrNi1810 n. DIN17440		Aux. Actuator			
Allgemeintoleranzen nach / General tolerances according to DIN ISO 2768-m					
Winkeltoleranzen / Angle tolerances: ±2°					

Schaltleistung nach / Electrical Rating according to EN 61058: 10(1.5)A 250V~ 1E4	
Kontaktöffnungsweite : μ	
Contact Disconnection	
Umgebungstemperatur : 40T120	
Temperature Rating	
Kriechstromfestigkeit: PTI 175	
Proof Tracking Index	
Bauform nach / Type of Construction according to DIN 41635 Form B	
Benennung / Description:	
Subminiaturschalter DB	
subminiature switch	
Maßstab/Scale: 2:1	
C H E R R Y	
G . m . b . H	
Cherrystraß	
91275 Auerbach/Dpf.	

Schutzart: IP 67	
protective system	
Anschlüsse: IP 00	
terminals	
Prüfzeichen:  	
Bearbeiter/Drawn	12.07.00
Geprüft/Approved	Schem
Zeichnungs-Nr. / Drawing No.: DC2C-A1LB	
Ersatz für/Replace for:	
Kunde/Customer	:
Teil-Nr. / Part No.	:



Zwischen unter Spannung stehenden Teilen im Inneren d. Schalters u. d. Oberflächfläche d. Isolierstoffbetätigers werden d. geforderten Kriech-u. Luftstrecken unterschritten. Die für d. Einhaltung d. Berührungsschutzes erforderlichen Kriech-u. Luftstrecken müssen durch d. Art d. Einbaues sichergestellt werden. The required creepage and clearances are not achieved between life parts of the mechanism and the surface of the plastic actuator. The requirements are met.

DC2C-A1LB	max. 5 mm	min. 1.5 mm	max. 0.7 mm	max. 150 cN	min. - cN
Schalter-Nr. switch-nr.	Vorlauf pretravel	Nachlauf overtravel	Diff.-Weg move-diff.	Schaltkraft oper. force	Rückschaltkraft rel. force

Weitere Angaben siehe technische Spezifikation TS-DC-00001. Bei Abweichungen gelten die Zeichnungsangaben. Further details please refer to technical specification TS-DC-00001. In case there are any deviations, the details of the drawing have priority.