



Chipsmall Limited consists of a professional team with an average of over 10 year of expertise in the distribution of electronic components. Based in Hongkong, we have already established firm and mutual-benefit business relationships with customers from,Europe,America and south Asia,supplying obsolete and hard-to-find components to meet their specific needs.

With the principle of “Quality Parts,Customers Priority,Honest Operation,and Considerate Service”,our business mainly focus on the distribution of electronic components. Line cards we deal with include Microchip,ALPS,ROHM,Xilinx,Pulse,ON,Everlight and Freescale. Main products comprise IC,Modules,Potentiometer,IC Socket,Relay,Connector.Our parts cover such applications as commercial,industrial, and automotives areas.

We are looking forward to setting up business relationship with you and hope to provide you with the best service and solution. Let us make a better world for our industry!



Contact us

Tel: +86-755-8981 8866 Fax: +86-755-8427 6832

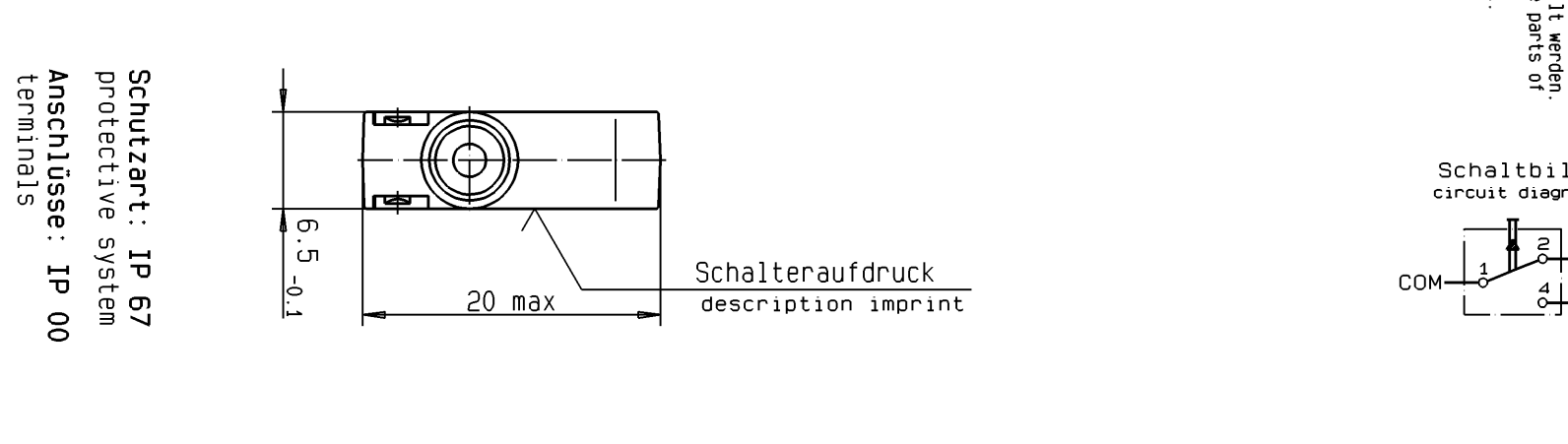
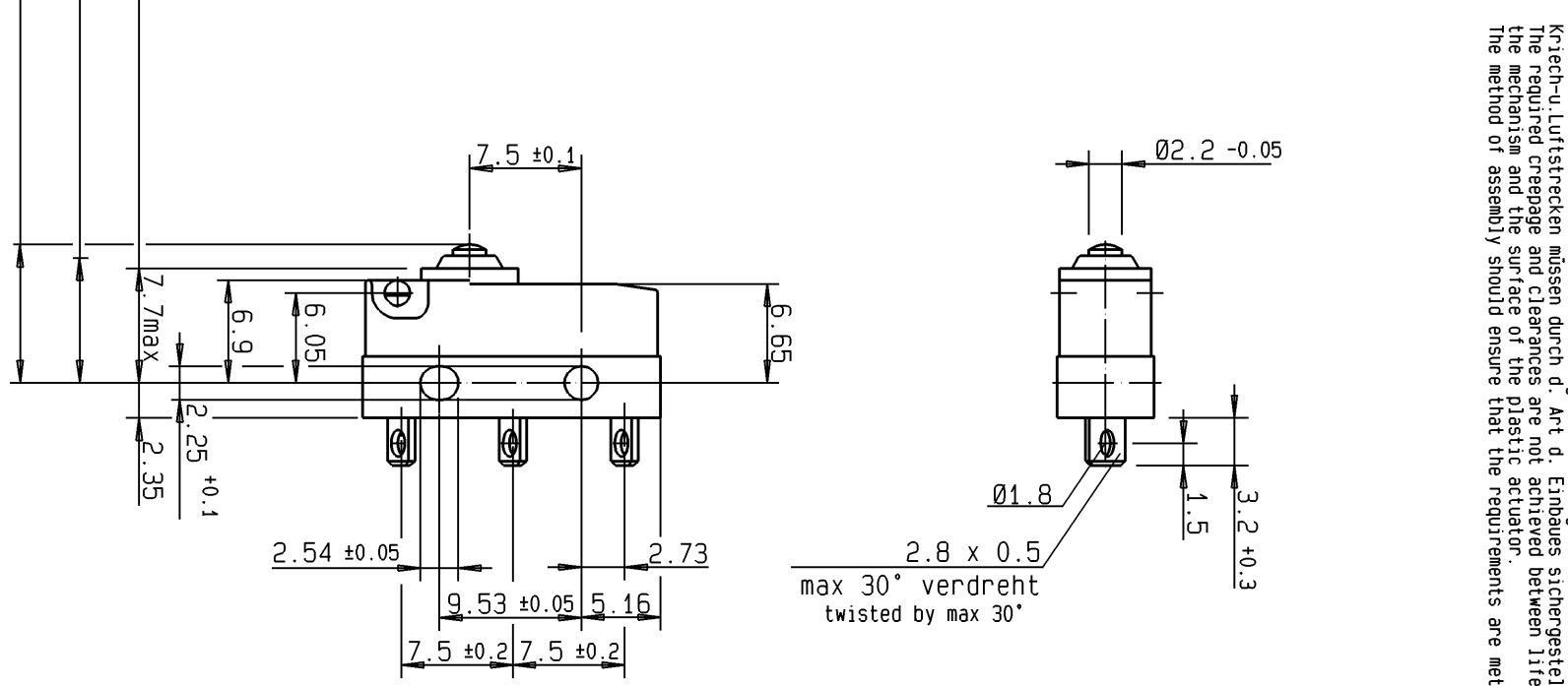
Email & Skype: info@chipsmall.com Web: www.chipsmall.com

Address: A1208, Overseas Decoration Building, #122 Zhenhua RD., Futian, Shenzhen, China





Zwischen unter Spannung stehenden Teilen im Inneren d. Schalters u. d. Oberflächfläche d. Isolierstoffbetätigers werden d. geforderten Kriech-u. Luftstrecken unterschritten. Die für d. Einhaltung d. Berührungsschutzes erforderlichen Kriech-u. Luftstrecken müssen durch d. Art d. Einbaus sichergestellt werden. The required creepage and clearances are not achieved between life parts of the mechanism and the surface of the plastic actuator. The requirements are met. the method of assembly should ensure that the requirements are met.

Ruhestellung 9.3 max. rest position
 Schalterpunkt 8.4 ± 0.3 operating point
 Zulässige Endstellung: Gleichlage Betätiger/Gehäuseoberkante. Keine Auflagekraft zulässig.
 approved end position: even position actuator/upper edge of housing. No supporting force allowed.



Ind. Rev.	04	Datum	06.07.00	Name	Scherer	Änderung	135159
Werkstoffe / Materials:		Sockerl : PET sw 30XGV UL 94 V-0					
Deckel cover		: PBT sw UL 94 V-0					
Betätiger actuator		: PBT UL 94 V-0					
Anschlüsse terminals		: CuZn10 gal. Ag/silver plated					
Kontakte contacts		: AuslagePt6 a. Ni-Träger					

Schaltleistung nach / Electrical Rating according to EN 61058: 0.1A 250V~ SE4	
Kontaktöffnungsweite : μ	
Contact Disconnection	
Umgebungstemperatur : 40T120	
Temperature Rating	
Kriechstromfestigkeit: PTI 175	
Proof Tracking Index	
Bauform nach / Type of Construction according to DIN 41635 Form B	
Benennung / Description:	
Subminiaturschalter DC	
subminiature switch	
Maßstab/Scale:	2:1
HERRY G.m.b.H. Cherrvstraße 91275 Auerbach/Dpf.	

Prüfzeichen:  	
Bearbeiter/Drawn	06.07.00
Geprüft/Approved	Scherer
Zeichnungs-Nr. / Drawing No.:	
DC3C-A1AA	
Ersatz für/Replace for:	
Kunde/Customer	:
Teil-Nr. / Part No.	:

DC3C-A1AA	max. 1 mm	min. 0.6 mm	max. 0.1 mm	max. 200 cN	min. 60 cN
Schalter-Nr. switch-nr.	Vorlauf pretravel	Nachlauf overtravel	Diff.-Weg move-diff.	Schaltkraft oper. force	Rückschaltkraft rel. force

Weitere Angaben siehe technische Spezifikation TS-DC-00001. Bei Abweichungen gelten die Zeichnungsangaben. Further details please refer to technical specification TS-DC-00001. In case there are any deviations, the details of the drawing have priority.