



Chipsmall Limited consists of a professional team with an average of over 10 year of expertise in the distribution of electronic components. Based in Hongkong, we have already established firm and mutual-benefit business relationships with customers from,Europe,America and south Asia,supplying obsolete and hard-to-find components to meet their specific needs.

With the principle of “Quality Parts,Customers Priority,Honest Operation,and Considerate Service”,our business mainly focus on the distribution of electronic components. Line cards we deal with include Microchip,ALPS,ROHM,Xilinx,Pulse,ON,Everlight and Freescale. Main products comprise IC,Modules,Potentiometer,IC Socket,Relay,Connector.Our parts cover such applications as commercial,industrial, and automotives areas.

We are looking forward to setting up business relationship with you and hope to provide you with the best service and solution. Let us make a better world for our industry!



Contact us

Tel: +86-755-8981 8866 Fax: +86-755-8427 6832

Email & Skype: info@chipsmall.com Web: www.chipsmall.com

Address: A1208, Overseas Decoration Building, #122 Zhenhua RD., Futian, Shenzhen, China



SJ110571
(ON DRAWING) (台異図)

DETAIL OF LOT No.
ロットNo. 詳細

0 7 23
DAY: 1 TO 31 日: 1~31
MONTH: 1 TO 9, OCT.: 0 NOV.: X, DEC.: Y
月: 1~9, 10月: 0, 11月: X, 12月: Y
YEAR: LAST 1-DIGIT OF A.D.
年: 西暦年数の下1桁

版数 VER.	年月日 DATE	CN NO.	変更内容 DESCRIPTION	製図 DR.	担当 CHK.	査閲 APPD.	承認 APPD.
3	18/OCT/2010	070895	ADDED MARK OF PRODUCT NAME.	H. TSURUOKA	T. OYAKE	—	A. NATORI
4	10/MAR/2011	071733	CHANGED SHAPE OF SHELL SPRING. CHANGED TOLERANCE OF SHELL THROUGH HOLE		T. OYAKE	—	A. NATORI
5	28/NOV/2012	004629	ADDED DIMENSION		T. OYAKE	—	T. MASUMOTO

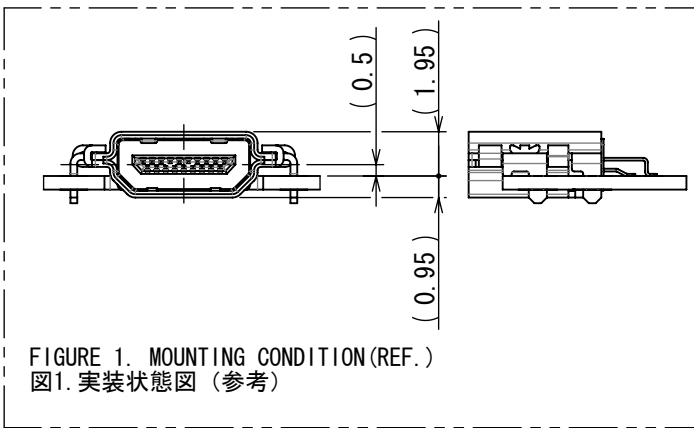
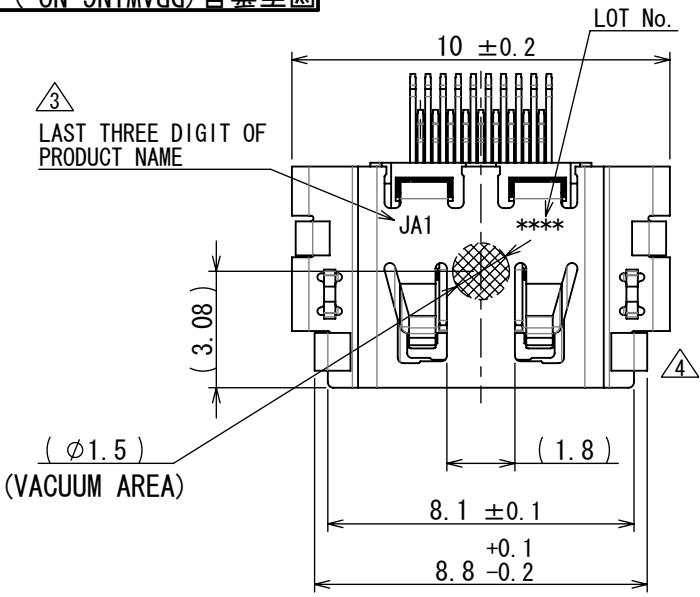


FIGURE 1. MOUNTING CONDITION (REF.)
図1. 実装状態図 (参考)

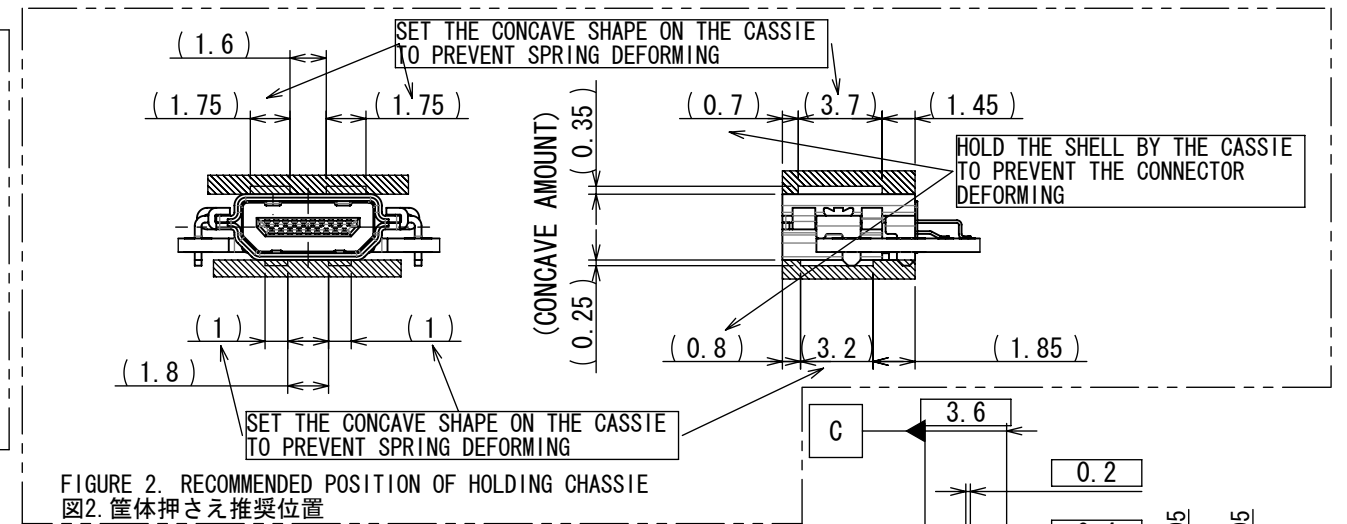


FIGURE 2. RECOMMENDED POSITION OF HOLDING CHASSIS
図2. 筐体押さえ推奨位置

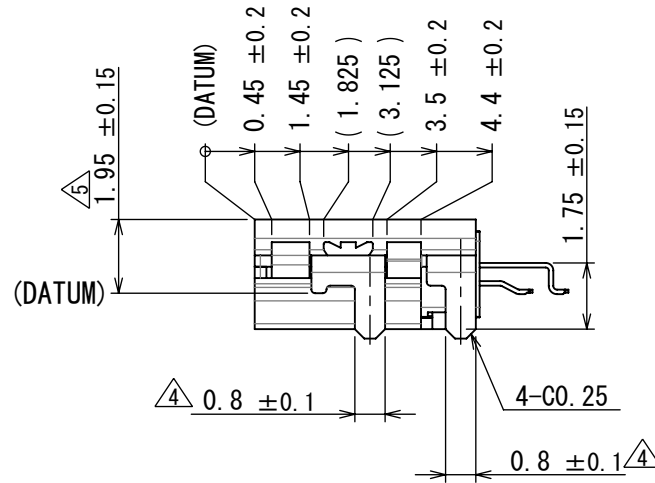
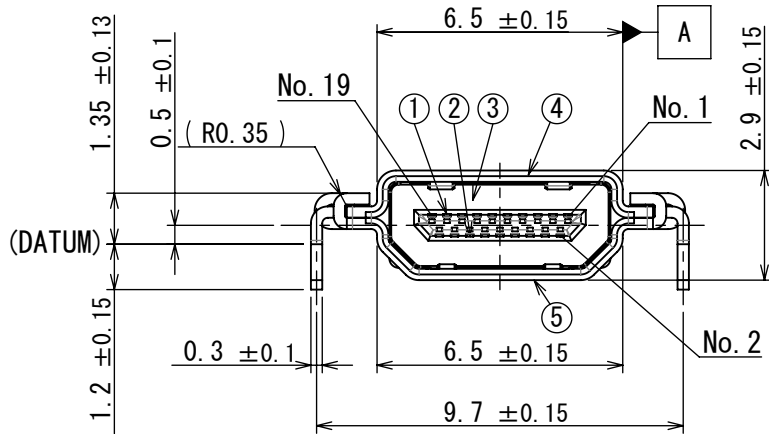


FIGURE 3. DETAIL OF SMT TERMINAL
図3. SMT部詳細

NOTE 1. COPLANARITY OF SMT TERMINAL IS 0.08MAX.
NOTE 2. THESE SURFACES ARE DATUM SURFACE.
NOTE 3. THIS CONNECTOR CONSISTS OF "High-Definition Multimedia Interface Specification Version 1.4"
注1. 本コネクタのSMT端子のバラつき(1コネクタ内のMax.値とMin.値の差)は0.08以下とする。
注2. この面は基準面である。
注3. 本コネクタの開口部寸法は、"High-Definition Multimedia Interface Specification Version 1.4" による。

符号 No.	名称 DESCRIPTION	個数 QTY.	材料 MATERIAL	仕上 FINISH	備考 REMARKS
5	SHELL B	1	STAINLESS STEEL	TIN OVER NICKEL	NICKEL PLATING: 1~4 μm TIN PLATING: 1~4 μm
4	SHELL A	1	STAINLESS STEEL	TIN OVER NICKEL	NICKEL PLATING: 1~4 μm TIN PLATING: 1~4 μm
3	INSULATOR	1	LCP	(COLOR: BLACK)	UL94
2	CONTACT B	9	COPPER ALLOY	CONTACT AREA: GOLD OVER NICKEL TERMINAL AREA: GOLD FLASH OVER NICKEL	NICKEL PLATING: 1~4 μm GOLD PLATING: OVER 0.1 μm GOLD FLASH PLATING: 0.03~0.1 μm
1	CONTACT A	10	COPPER ALLOY	CONTACT AREA: GOLD OVER NICKEL TERMINAL AREA: GOLD FLASH OVER NICKEL	NICKEL PLATING: 1~4 μm GOLD PLATING: OVER 0.1 μm GOLD FLASH PLATING: 0.03~0.1 μm

仕様書 (SPECIFICATION) JACS-30164	第1版 (ORIGINAL DATE) 25/MAY/2010	尺度 (SCALE) 5 : 1	シリーズ (SERIES) DC3	日本航空電子工業株式会社	版数 (VER.) 5
一般公差 (GENERAL TOLERANCE) 寸法 (DIMENSION) × ± 0.8 ×× ± 0.4 ××× ± 0.1 ×××× ±	角度 (ANGLES) ×° ± ×°×' ± 単位 (UNIT) : mm	製図 DR. 担当 CHK. T. EHARA 査閲 APPD. 承認 APPD. A. NATORI	名称 (TITLE) DC3R019JA1 質量 (MASS)	JAPAN AVIATION ELECTRONICS INDUSTRY, LTD.	図面番号 (DRAWING NO.) SJ110571

DCF-C-212H(12.08)

WISDOM承認 2012/11/28