



Chipsmall Limited consists of a professional team with an average of over 10 year of expertise in the distribution of electronic components. Based in Hongkong, we have already established firm and mutual-benefit business relationships with customers from,Europe,America and south Asia,supplying obsolete and hard-to-find components to meet their specific needs.

With the principle of “Quality Parts,Customers Priority,Honest Operation,and Considerate Service”,our business mainly focus on the distribution of electronic components. Line cards we deal with include Microchip,ALPS,ROHM,Xilinx,Pulse,ON,Everlight and Freescale. Main products comprise IC,Modules,Potentiometer,IC Socket,Relay,Connector.Our parts cover such applications as commercial,industrial, and automotives areas.

We are looking forward to setting up business relationship with you and hope to provide you with the best service and solution. Let us make a better world for our industry!



## Contact us

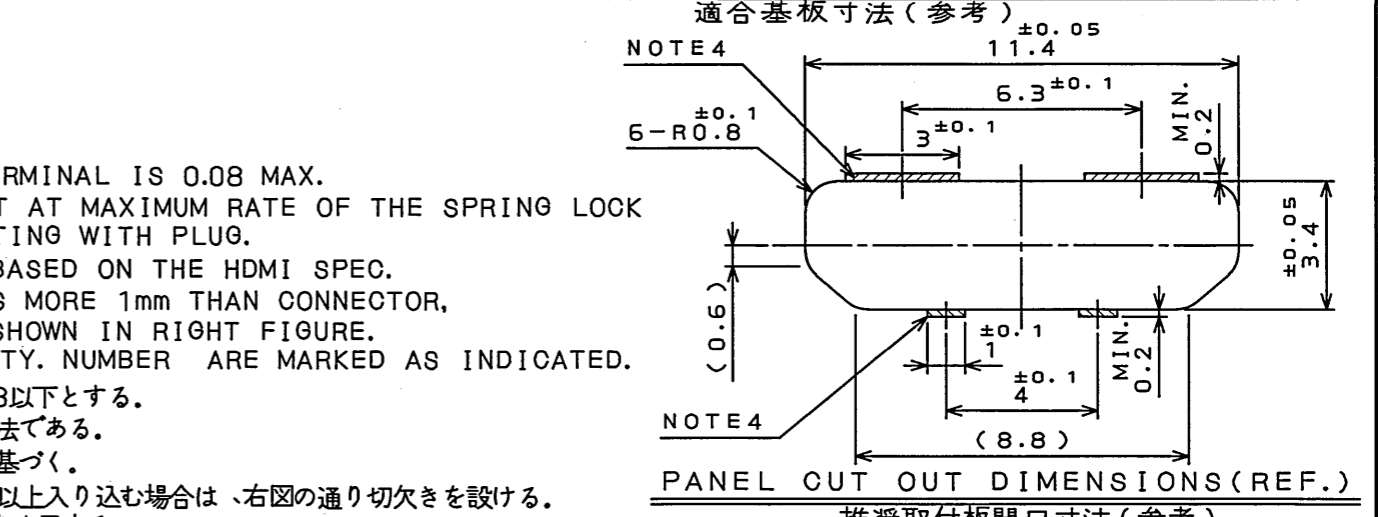
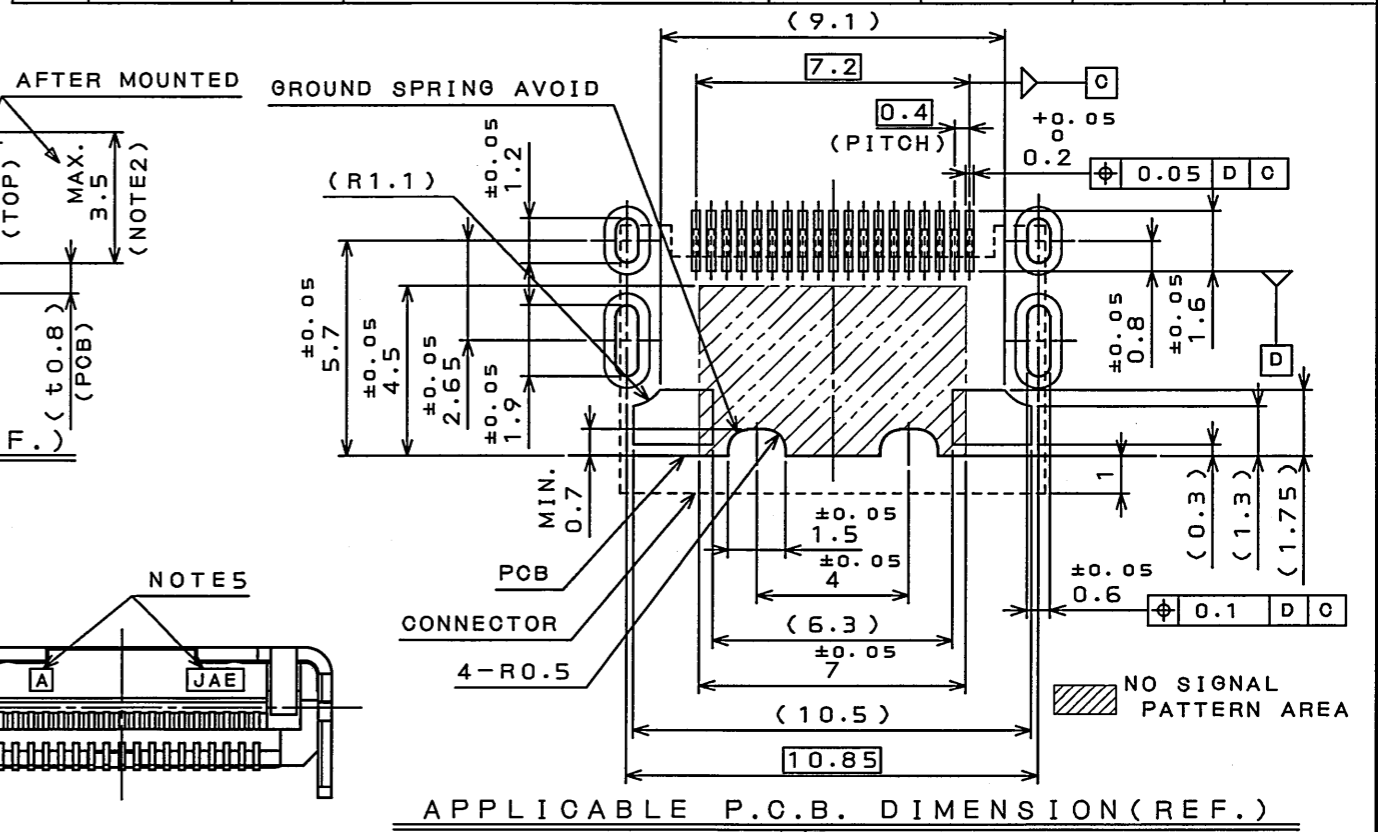
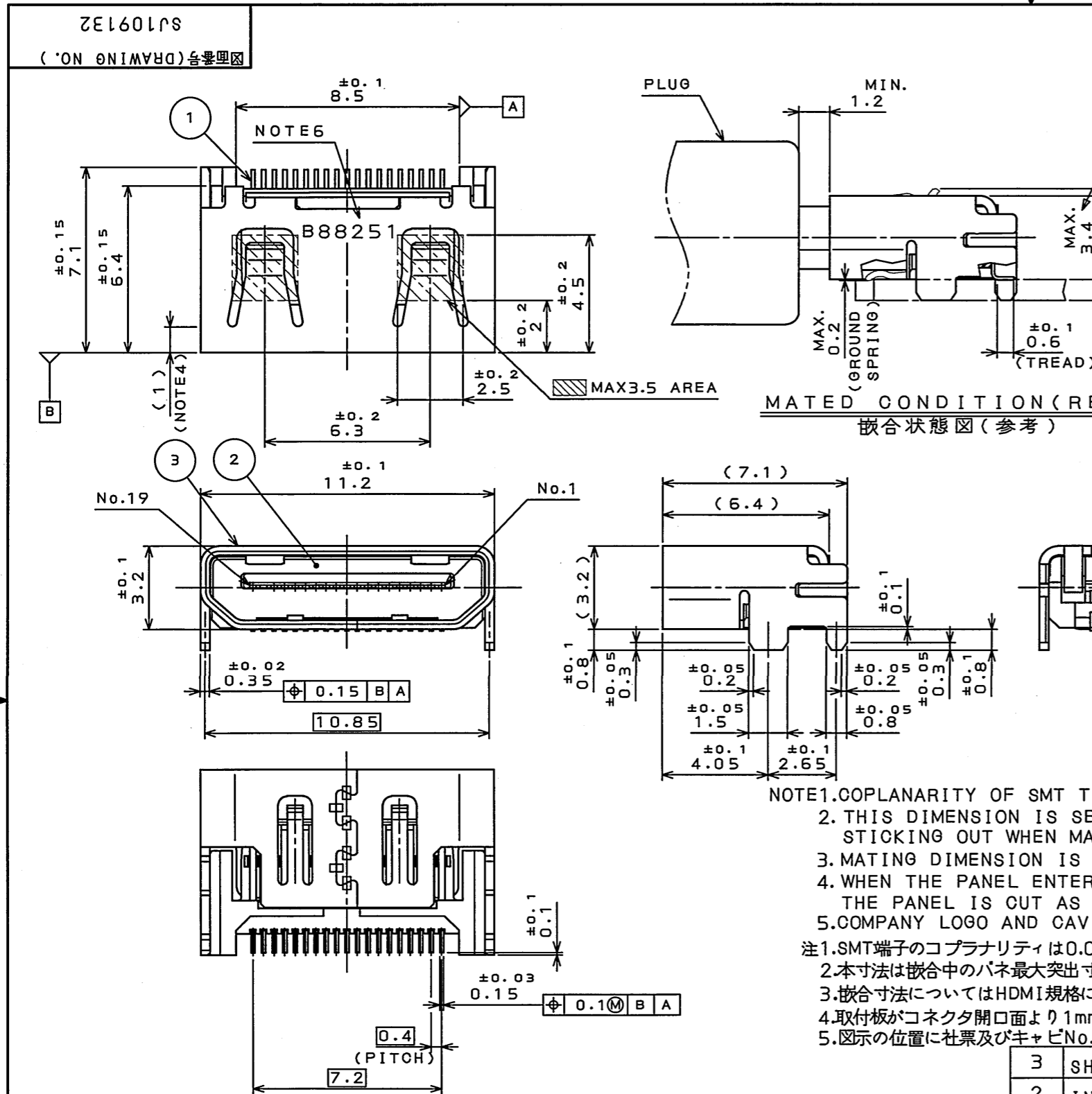
Tel: +86-755-8981 8866 Fax: +86-755-8427 6832

Email & Skype: info@chipsmall.com Web: www.chipsmall.com

Address: A1208, Overseas Decoration Building, #122 Zhenhua RD., Futian, Shenzhen, China



版数 REV.	年月日 DATE	DCN NO.	変更内容 DESCRIPTION	製図 DR.	担当 CHK.	査閲 APPD.	承認 APPD.
2	29.JUL.2009	068342	REVISED NOTE.	Y.SESHIMO	K.KOTAKA	T.Wada	Y.Masamoto



- NOTE1.COPLANARITY OF SMT TERMINAL IS 0.08 MAX.  
 2. THIS DIMENSION IS SET AT MAXIMUM RATE OF THE SPRING LOCK STICKING OUT WHEN MATING WITH PLUG.  
 3. MATING DIMENSION IS BASED ON THE HDMI SPEC.  
 4. WHEN THE PANEL ENTERS MORE 1mm THAN HDMI CONNECTOR, THE PANEL IS CUT AS SHOWN IN RIGHT FIGURE.  
 5. COMPANY LOGO AND CAVITY. NUMBER ARE MARKED AS INDICATED.
- 注1.SMT端子のコプラナリティは0.08以下とする。  
 2.本寸法は嵌合中のパネ最大突出寸法である。  
 3.嵌合寸法についてはHDMI規格に基づく。  
 4.取付板がコネクタ開口面より1mm以上入り込む場合は、右図の通り切欠きを設ける。  
 5.図示の位置に社票及びキャビNo.を表示する。

6.PRODUCTION LOT NUMBER IS MARKED ON THE TOP OF SHELL.  
 △ 6.図示の位置にロットNo.を表示する  
 (EX.) B 8 8 2 5 1

弘前航空電子製 JAE HIROSAKI: ライン番号 LINE CODE
協力会社製 SUBCONTRACTOR: モディファイコード "H" MODIF. CODE "H"
生産日 DAY(01~31)
生産月 MONTH(1~9, Oct:0, Nov:X, Dec:Y)
生産年(西暦下1桁) YEAR(A. D. LAST ONE FIGURE)
弘前航空電子製 JAE HIROSAKI: 組立部門コード "B" FACTORY CODE "B"
協力会社製 SUBCONTRACTOR: 非表示 N/A

3	SHELL	1	COPPER ALLOY	TIN PLATING OVER NICKEL	
2	INSULATOR	1	9T NYLON	COLOR:BLACK	UL94HB
1	CONTACT	19	COPPER ALLOY	GOLD PLATING OVER NICKEL	
符号 NO.	名称 DESCRIPTION	個数 QTY.	材料 MATERIAL	仕上 FINISH	備考 REMARKS
仕様書(SPECIFICATION) JACS-30101		第1版(ORIGINAL DATE) 25.Aug.2008		尺度(SCALE) 5:1	シリーズ(SERIES) DC2
公差差(GENERAL TOLERANCE)		製図 DR.		名称(TITLE) DC2R019JA5 (HDMI TYPE C)	
寸法(DIMENSION)		担当 CHK. Y.KUROKI		日本航空電子工業株式会社 JAPAN AVIATION ELECTRONICS INDUSTRY, LTD.	
角度(ANGLES)		査閲 APPD.			
. ±		承認 APPD. Y.SUGI			
.X ±		承認 APPD.		図面番号(DRAWING NO.) SJ109132	
.XX ±				版数 (REV.) 2	
.XXX ±					

DOF-0-212F(05.08)

