



Chipsmall Limited consists of a professional team with an average of over 10 year of expertise in the distribution of electronic components. Based in Hongkong, we have already established firm and mutual-benefit business relationships with customers from,Europe,America and south Asia,supplying obsolete and hard-to-find components to meet their specific needs.

With the principle of “Quality Parts,Customers Priority,Honest Operation,and Considerate Service”,our business mainly focus on the distribution of electronic components. Line cards we deal with include Microchip,ALPS,ROHM,Xilinx,Pulse,ON,Everlight and Freescale. Main products comprise IC,Modules,Potentiometer,IC Socket,Relay,Connector.Our parts cover such applications as commercial,industrial, and automotives areas.

We are looking forward to setting up business relationship with you and hope to provide you with the best service and solution. Let us make a better world for our industry!



## Contact us

Tel: +86-755-8981 8866 Fax: +86-755-8427 6832

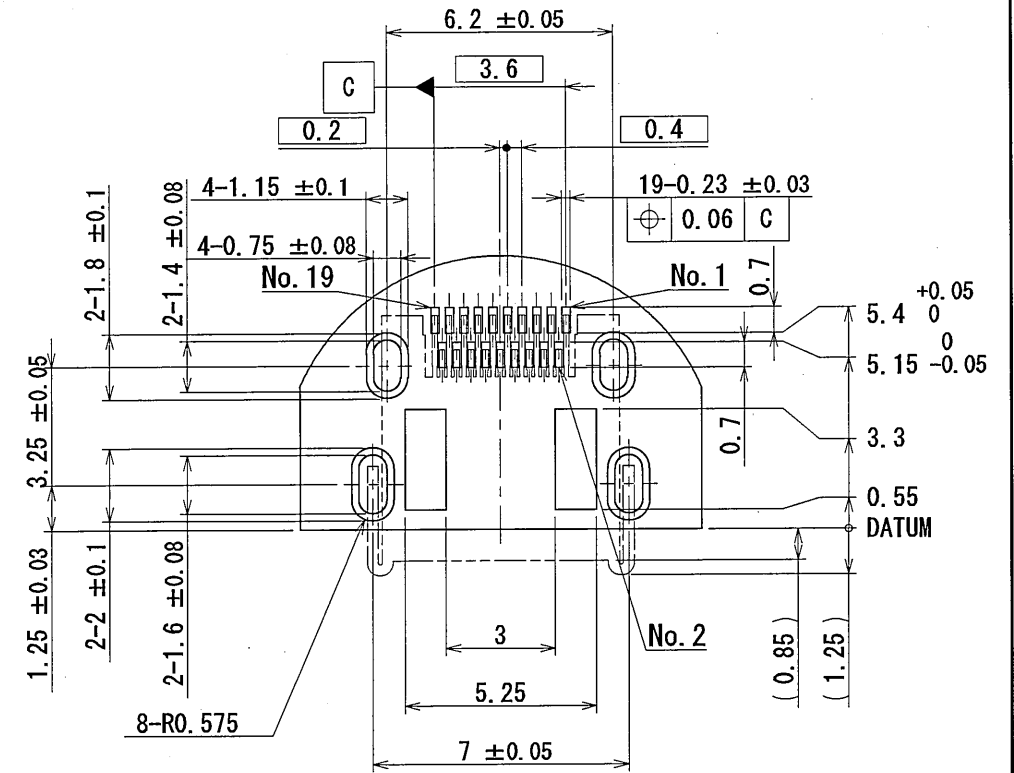
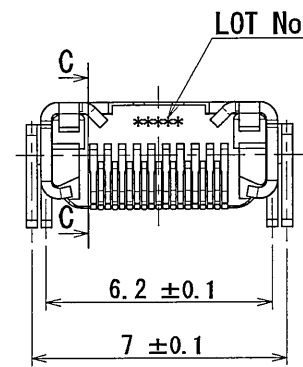
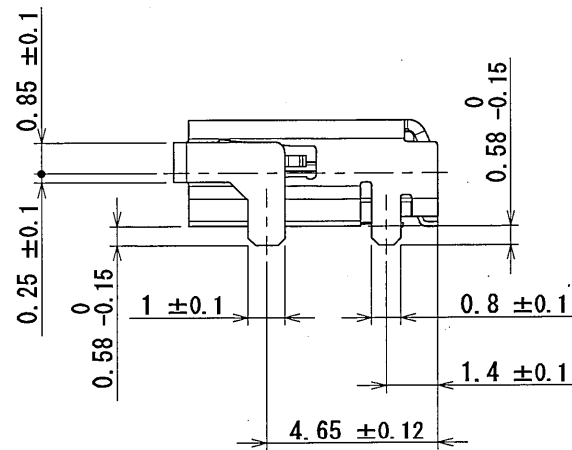
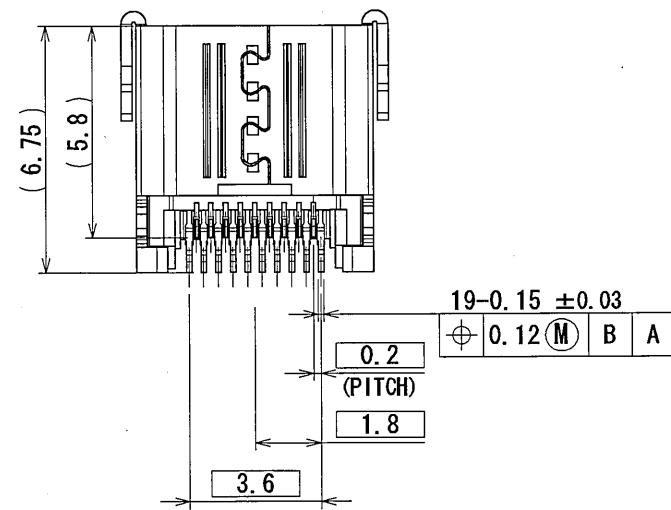
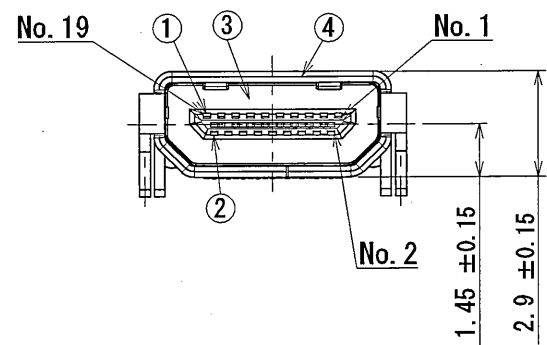
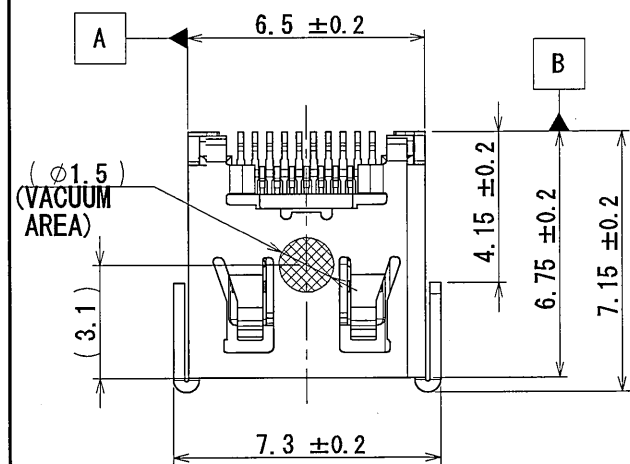
Email & Skype: info@chipsmall.com Web: www.chipsmall.com

Address: A1208, Overseas Decoration Building, #122 Zhenhua RD., Futian, Shenzhen, China

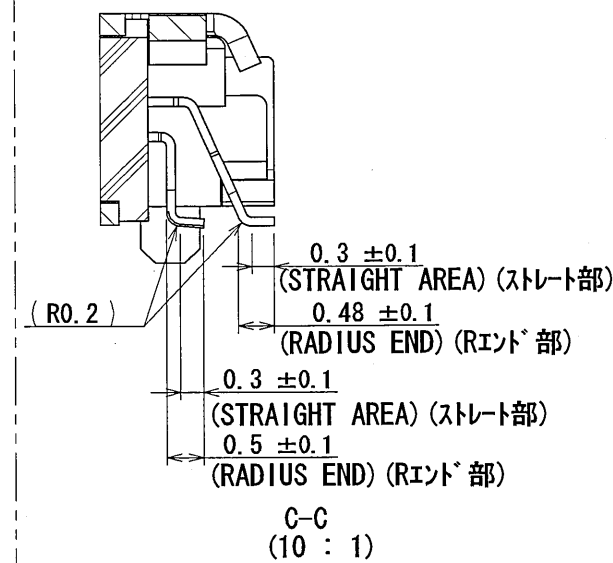


SJ11264

(DRAWING NO.)



DETAIL OF SMT TERMINAL SHAPE  
SMT端子形状詳細



DETAIL OF LOT No.

ロットNo. 詳細  
0723X

SYMBOL IN PRODUCT TITLE : X (DC3RX19JA3)  
製品名称中の記号 : X (DC3RX19JA3)  
DAY: 1 TO 31 日 : 1~31  
MONTH: 1 TO 9, OCT.: 0 NOV.: X, DEC.: Y  
月 : 1~9, 10月 : 0, 11月 : X, 12月 : Y  
YEAR: LAST 1-DIGIT OF A.D.  
年 : 西暦年数の下1桁

APPLICABLE P.C.B. DIMENSION (REF.)  
適合基板寸法 (参考)

4	SHELL	1	STAINLESS STEEL	TIN OVER NI	-
3	INSULATOR	1	LCP	COLOR: BLACK	UL94 V-0
2	CONTACT2	9	COPPER ALLOY	CONTACT AREA: GOLD OVER NI TERMINAL AREA: GOLD FLASH OVER NI	GOLD PLATING: 0.1 μm MIN GOLD FLASH PLATING: 0.05~0.1 μm
1	CONTACT1	10	COPPER ALLOY	CONTACT AREA: GOLD OVER NI TERMINAL AREA: GOLD FLASH OVER NI	GOLD PLATING: 0.1 μm MIN GOLD FLASH PLATING: 0.05~0.1 μm
符号 No.	名称 DESCRIPTION	個数 QTY.	材料 MATERIAL	仕上 FINISH	備考 REMARKS

仕様書 (SPECIFICATION) JACS-30164	第1版 (ORIGINAL DATE) Nov/2/2010	尺度 (SCALE) 5 : 1	シリーズ (SERIES) DC3	日本航空電子工業株式会社
一般公差 (GENERAL TOLERANCE)	製図 DR.	名称 (TITLE) DC3RX19JA3 (THROUGH HOLE LENGTH: 0.58MAX. WITHOUT VACUUM PART)		
寸法 (DIMENSION)	担当 CHK. T. EHARA	質量 (MASS)		
角度 (ANGLES)	査閲 APPD.	図面番号 (DRAWING NO.) SJ11264		
承認 APPD. A. Natori	承認 APPD.	版数 (REV.) 1		

NOTE1. COPLANARITY OF SMT TERMINAL IS 0.08MAX.  
NOTE2. MATING DIMENSION CONSISTS OF "High-Definition Multimedia Interface Specification Version 1.4"  
注1.本コネクタのSMT端子のパラッキ(コネクタ内のMax.値とMin.値の差)は0.08以下とする。  
注2.本コネクタの開口部寸法は、"High-Definition Multimedia Interface Specification Version 1.4"による。

DCF-C-212F (05.08)

