



Chipsmall Limited consists of a professional team with an average of over 10 year of expertise in the distribution of electronic components. Based in Hongkong, we have already established firm and mutual-benefit business relationships with customers from,Europe,America and south Asia,supplying obsolete and hard-to-find components to meet their specific needs.

With the principle of “Quality Parts,Customers Priority,Honest Operation,and Considerate Service”,our business mainly focus on the distribution of electronic components. Line cards we deal with include Microchip,ALPS,ROHM,Xilinx,Pulse,ON,Everlight and Freescale. Main products comprise IC,Modules,Potentiometer,IC Socket,Relay,Connector.Our parts cover such applications as commercial,industrial, and automotives areas.

We are looking forward to setting up business relationship with you and hope to provide you with the best service and solution. Let us make a better world for our industry!



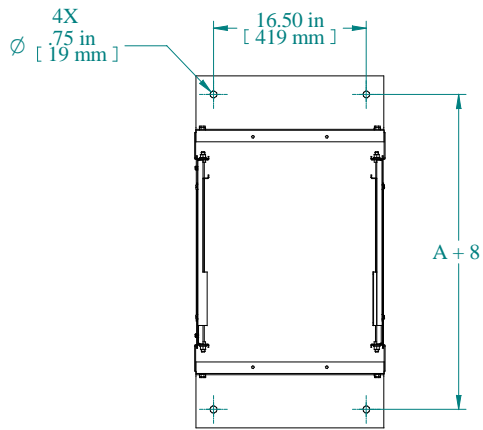
Contact us

Tel: +86-755-8981 8866 Fax: +86-755-8427 6832

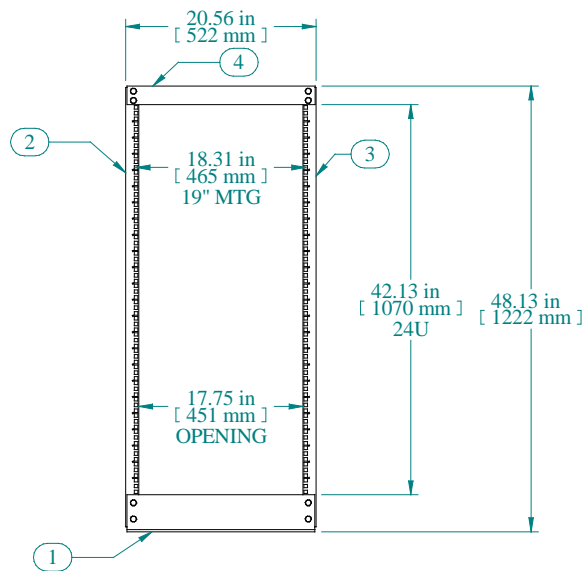
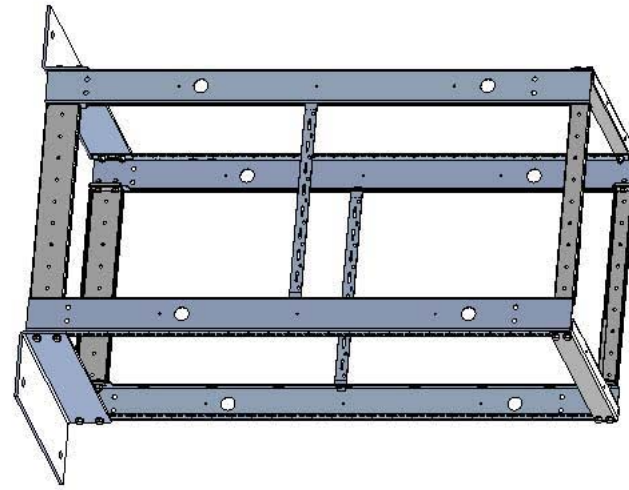
Email & Skype: info@chipsmall.com Web: www.chipsmall.com

Address: A1208, Overseas Decoration Building, #122 Zhenhua RD., Futian, Shenzhen, China

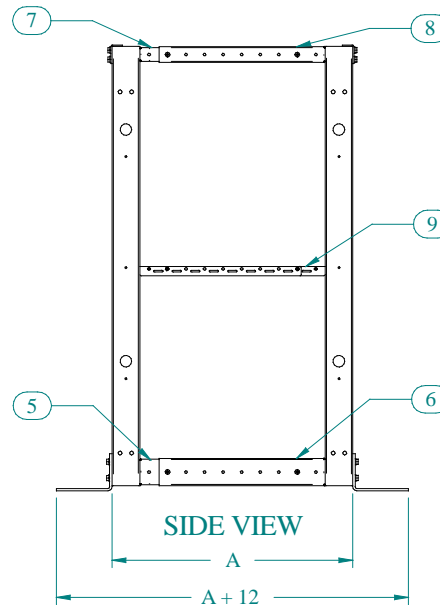




TOP VIEW



FRONT VIEW



SIDE VIEW

Item Number	Title	Quantity
1	DNRR - BASE ANGLE	2
2	DN4R - LH RAIL	2
3	DN4R - RH RAIL	2
4	DNRR - TOP ANGLE	2
5	4 POST RELAY RACK DEPTH BRKT	2
6	4 POST RELAY RACK DEPTH BRKT	2
7	4 POST RELAY RACK DEPTH BRKT	2
8	4 POST RELAY RACK DEPTH BRKT	2
9	DN4R - CABLE TIE BAR	4

PART NUMBERS

DC4R24 | PAINTED BLACK THIN FILM

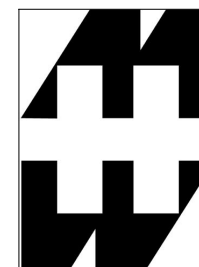
NOTES

Shipped knockdown for handling ease & protection
Includes assembly hardware
See Hammond Website for Additional Accessories

PART No.	A (Depth)
DC4R24	24.00
	26.00
	28.00
	30.00
	32.00
	34.00
	36.00

NOTE: DIM "A" (DEPTH) IS ADJUSTABLE IN 2" INCREMENTS

Data subject to change without notice. Isometric drawing not to scale.



**HAMMOND
MANUFACTURING™**

www.hammondmfg.com

PART NO. DC4R24