



Chipsmall Limited consists of a professional team with an average of over 10 year of expertise in the distribution of electronic components. Based in Hongkong, we have already established firm and mutual-benefit business relationships with customers from,Europe,America and south Asia,supplying obsolete and hard-to-find components to meet their specific needs.

With the principle of “Quality Parts,Customers Priority,Honest Operation,and Considerate Service”,our business mainly focus on the distribution of electronic components. Line cards we deal with include Microchip,ALPS,ROHM,Xilinx,Pulse,ON,Everlight and Freescale. Main products comprise IC,Modules,Potentiometer,IC Socket,Relay,Connector.Our parts cover such applications as commercial,industrial, and automotives areas.

We are looking forward to setting up business relationship with you and hope to provide you with the best service and solution. Let us make a better world for our industry!



Contact us

Tel: +86-755-8981 8866 Fax: +86-755-8427 6832

Email & Skype: info@chipsmall.com Web: www.chipsmall.com

Address: A1208, Overseas Decoration Building, #122 Zhenhua RD., Futian, Shenzhen, China



DESCRIPTION

Demonstration circuit 528 is a quick way to try the LTC[®]1740, and gives a clean, compact example of a PC board layout for the part. For a description of how the LTC1740 operates, please refer to the data sheet on the Linear Technology website.

Design files for this circuit board are available. Call the LTC factory.

LTC is a registered trademark of Linear Technology Corporation.

QUICK START PROCEDURE

Connecting the Analog Power Supplies

The part can run off a single supply or dual supplies:

Single Supply: VDD=+5V, VSS=0V, AGND=0V

Dual Supplies: VDD=+5V, VSS=-5V, AGND=0V

Connecting the Digital Output Power Supply

OVDD is the supply for the digital output drivers on the part. VCC is the supply for the 74ACT16373 transparent latch that buffers the outputs. For best results, set OVDD=VCC=+3V to +5V. Connect the ground of the digital output supply to OGND.

SENSE pin jumpers

JP1 configures the SENSE pin, which sets the voltage reference, VREF.

JP1 on right: SENSE=GND
VREF=4.50V

JP1 in middle: SENSE=VDD. VREF must be driven externally. Input impedance is about 1k Ω .

JP1 on left: SENSE=VREF
VREF=2.25V

Driving the Analog Input

Apply the analog input signal to the +AIN BNC connector. The negative analog input can be driven at the -AIN BNC connector. For convenience, the negative analog input can also be connected to VCM or AGND with JP2:

JP2 on left two pins: -AIN=AGND
Dual supply operation

JP2 on right two pins: -AIN=VCM (+2.5V)
Single supply operation

The analog input range, $V_{in} = +AIN - -AIN$ is:

$-V_{REF}/2 < V_{in} < +V_{REF}/2$ for PGA gain=1x

Input RC filter

For optimal AC performance, the LTC1740 should have an NPO capacitor across its analog input (C6). This capacitor can be used along with R18 as an input filter to reduce noise in the input signal.

Driving the Clock Input

Apply the encode clock to the CLK BNC connector. For best performance, the clock should have low jitter and rise and fall times of less than 5ns. R17 is a 50 Ohm resistor that terminates the clock to ground. R17 should be removed if the clock signal source cannot drive a 50 Ohm load.

Digital Outputs

The digital outputs appear at the 40-pin connector on the right side of the board. The signals are the fourteen data bits, overflow, and a buffered version of the clock that can be used to latch the data. For best results all wires connected to the output bus should

be as short as possible. The output coding format is selected with JP3:

JP3 on top two pins: 2's complement

JP3 on bottom two pins: straight binary

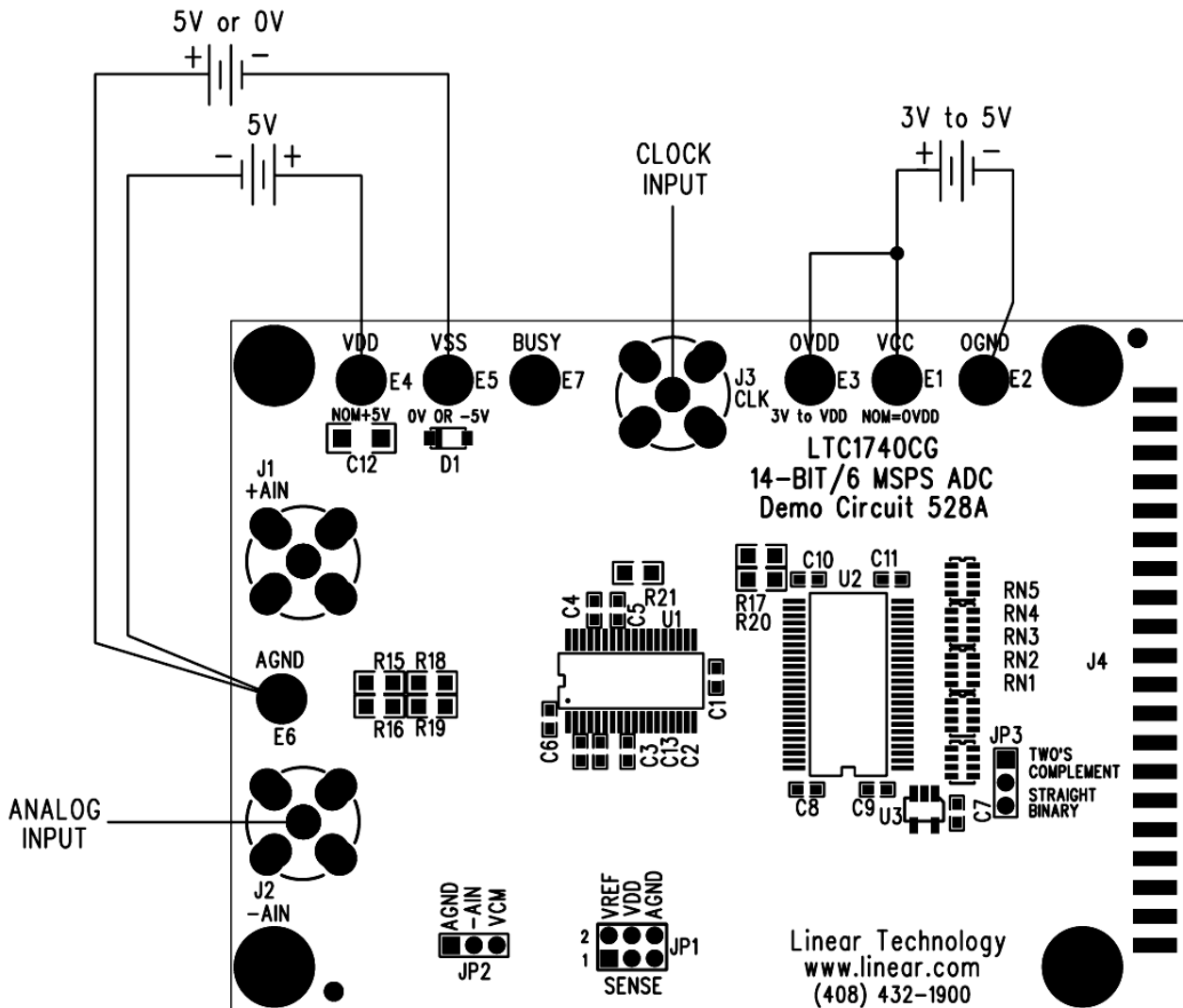
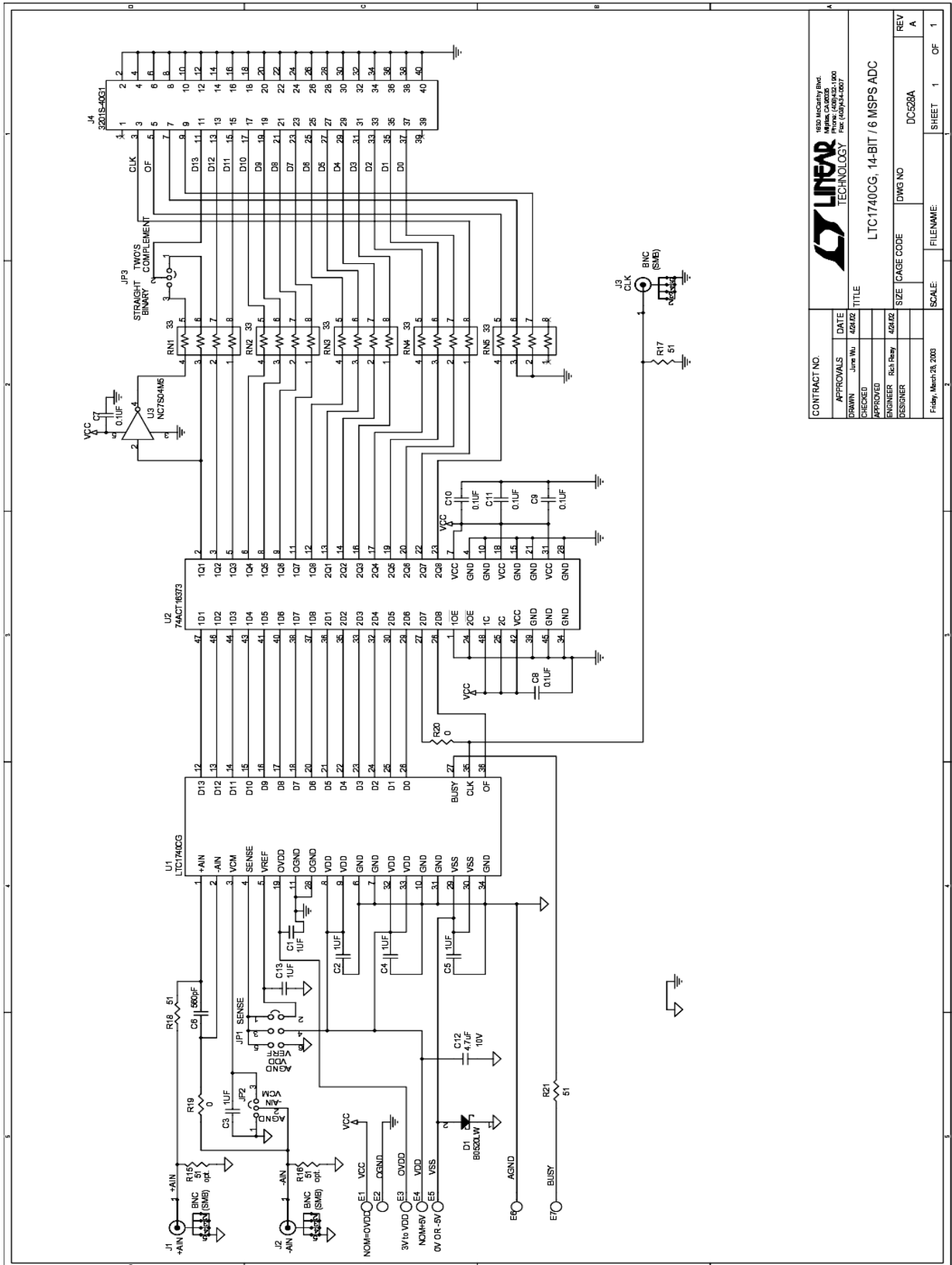


Figure 1. Proper Measurement Equipment Setup

QUICK START GUIDE FOR DEMONSTRATION CIRCUIT 528

14-BIT / 6 MSPS ADC



CONTRACT NO.		APPROVALS		DATE		TITLE	
DRAWN		JUNE WU		4/24/02		LTC1740CG, 14-BIT / 6 MSPS ADC	
CHECKED		REH PERRY		4/24/02		SIZE	
ENGINEER		REH PERRY		4/24/02		CAGE CODE	
DESIGNER		REH PERRY		4/24/02		DWG NO	
Friday, March 28, 2003		Friday, March 28, 2003		Friday, March 28, 2003		DC528A	
SCALE:		FILENAME:		REV		REV	
1		1		A		A	
SHEET		1		OF		1	



1620 McCarty Blvd.
Melville, Colorado 80458
Tel: 303.791.1000
Fax: 303.791.1007

LTC1740CG, 14-BIT / 6 MSPS ADC

DC528A

REV A