



Chipsmall Limited consists of a professional team with an average of over 10 year of expertise in the distribution of electronic components. Based in Hongkong, we have already established firm and mutual-benefit business relationships with customers from,Europe,America and south Asia,supplying obsolete and hard-to-find components to meet their specific needs.

With the principle of “Quality Parts,Customers Priority,Honest Operation,and Considerate Service”,our business mainly focus on the distribution of electronic components. Line cards we deal with include Microchip,ALPS,ROHM,Xilinx,Pulse,ON,Everlight and Freescale. Main products comprise IC,Modules,Potentiometer,IC Socket,Relay,Connector.Our parts cover such applications as commercial,industrial, and automotives areas.

We are looking forward to setting up business relationship with you and hope to provide you with the best service and solution. Let us make a better world for our industry!



## Contact us

Tel: +86-755-8981 8866 Fax: +86-755-8427 6832

Email & Skype: info@chipsmall.com Web: www.chipsmall.com

Address: A1208, Overseas Decoration Building, #122 Zhenhua RD., Futian, Shenzhen, China



## DESCRIPTION

Demonstration circuit 939 features the LTC2484, a 24-bit high performance  $\Delta\Sigma$  analog-to-digital converter (ADC). The LTC2484 features 2ppm linearity, 0.5 $\mu$ V offset, and 600nV RMS noise. The input is fully differential, with input common mode rejection of 140 dB. The LTC2484 is available in a 10 pin DFN package and has an easy to use SPI interface.

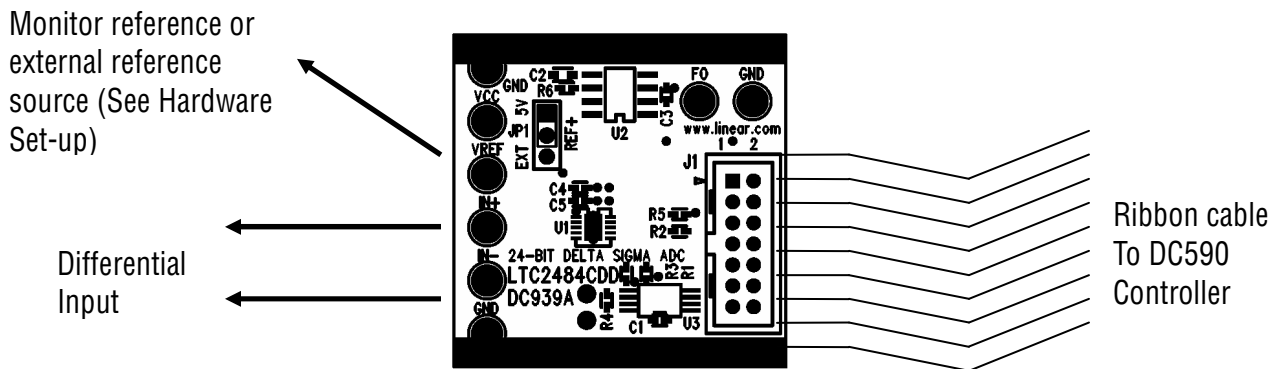
DC939 is a member of Linear Technology's QuickEval™ family of demonstration boards. It is designed to allow easy evaluation of the LTC2484 and may be connected directly to the target application's analog signals while using the DC590 USB Serial

Controller board and supplied software to measure performance. The exposed ground planes allow proper grounding to prototype circuitry. After evaluating with Linear Technology's software, the digital signals can be connected to the end application's processor / controller for development of the serial interface.

**Design files for this circuit board are available. Call the LTC factory.**

LTC is a trademark of Linear Technology Corporation

Figure 1. Proper Measurement Equipment Setup



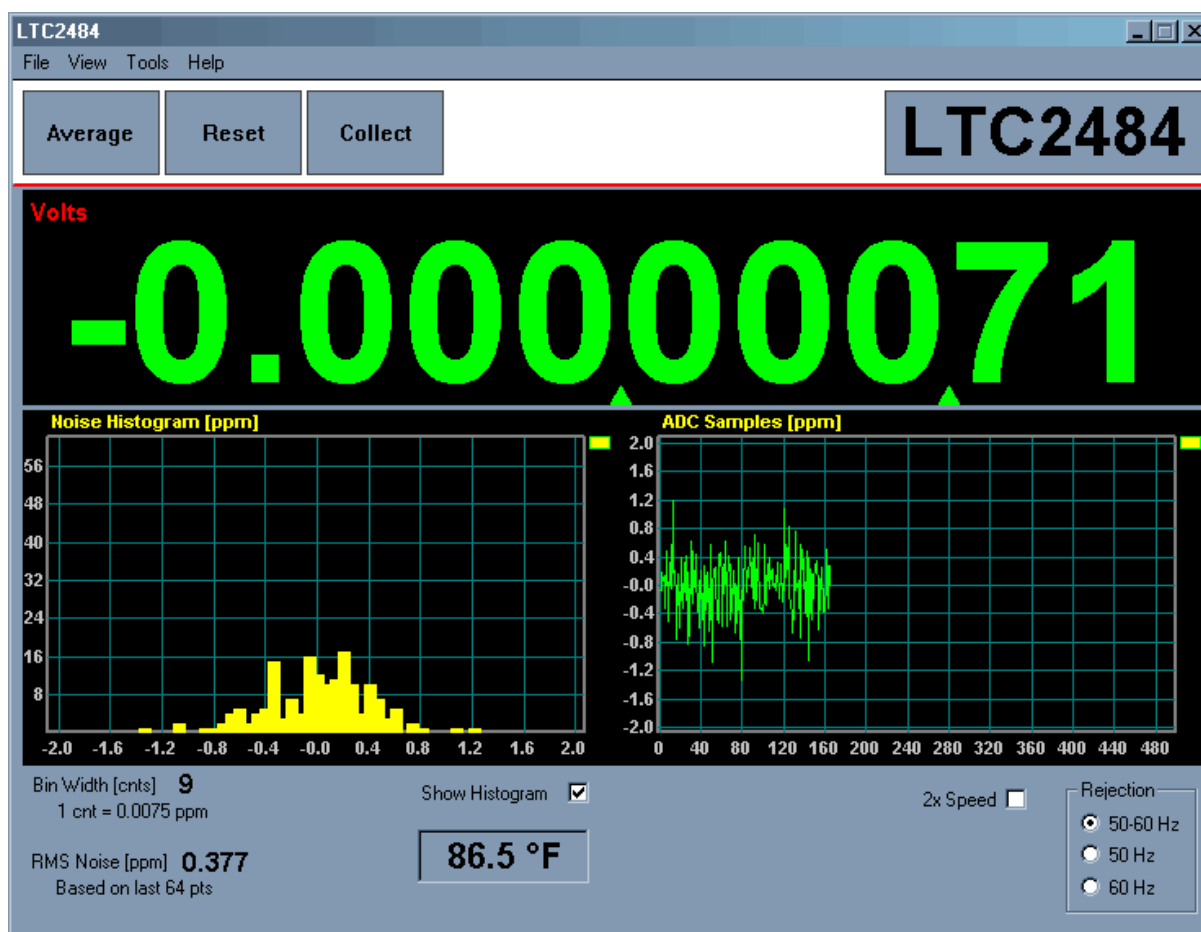
## QUICK START PROCEDURE

Connect DC939 to a DC590 USB Serial Controller using the supplied 14-conductor ribbon cable. Connect DC590 to host PC with a standard USB A/B cable. Run the evaluation software supplied with DC590 or downloaded from <http://www.linear.com/software>. The correct program will be loaded automatically. Click the COLLECT button to start reading the input

voltage. Details on software features are documented in the control panel's help menu.

Tools are available for logging data, changing reference voltage, changing the number of points in the strip chart and histogram, and changing the number of points averaged for the DVM display.

Figure 2. Software Screenshot



## HARDWARE SET-UP

### CONNECTION TO DC590 SERIAL CONTROLLER

J1 is the power and digital interface connector. Connect to DC590 serial controller with supplied 14 conductor ribbon cable.

### JUMPERS

JP1 – Select the source for REF+, either an LT1236A-5 or externally supplied.

### ANALOG CONNECTIONS

Analog signal connections are made via the row of turret posts along the edge of the board. Also, when connecting the board to an existing circuit the exposed ground planes along the edges of the board may be used to form a solid connection between grounds.

GND – Three ground turrets are connected directly to the internal ground planes.

VCC – This is the supply for the ADC. Do not draw any power from this point.

REF+ - Connected to the LTC2484 reference pin. If one of the onboard references is being used, the reference voltage may be monitored from this point. An external reference may be connected to these terminals if JP1 is removed.

IN+, IN- – These are the differential inputs to the LTC2484.

Fo - An external conversion clock may be applied to the Fo turret to modify the frequency rejection characteristics or data output rate of the LTC2484. This should be a square wave with a low level equal to ground and a high level equal to Vcc. While up to a 2MHz clock can be used, performance may be compromised. Refer to the LTC2484 data sheet. This terminal has a 5k pulldown resistor to keep it from floating when no signal is applied.

## EXPERIMENTS

### INPUT NOISE

The 600nV noise level of the LTC2484 inputs results in 23 effective bits of resolution. Solder a short wire from the IN- turret post to the IN+ turret post. This allows measurement of the offset and noise level of the LTC2484. The RMS noise display should approach 0.12ppm, assuming a 5V reference is used.

Note that many common “precision” voltage sources have a higher noise level than 600nV, so it is difficult to verify the 600nV resolution across the entire input span. An alkaline D cell makes a convenient source, but it should be well insulated from thermal and mechanical shock.

### COMMON MODE REJECTION

Tie the two inputs (still connected together) to ground through a short wire and note the indicated voltage. Tie the inputs to REF+; the difference should be less than 0.5 $\mu$ V due to the 140dB minimum CMRR of the LTC2484.

### BIPOLAR SYMMETRY

To demonstrate the symmetry of the ADCs transfer function, connect a stable, low noise, floating voltage source (with a voltage less than  $V_{ref}/2$ ) from

IN+ to IN- and note the indicated voltage. Reverse the polarity; the indicated voltage will typically be within a few microvolts of the first reading multiplied by  $-1$ .

### INPUT NORMAL MODE REJECTION

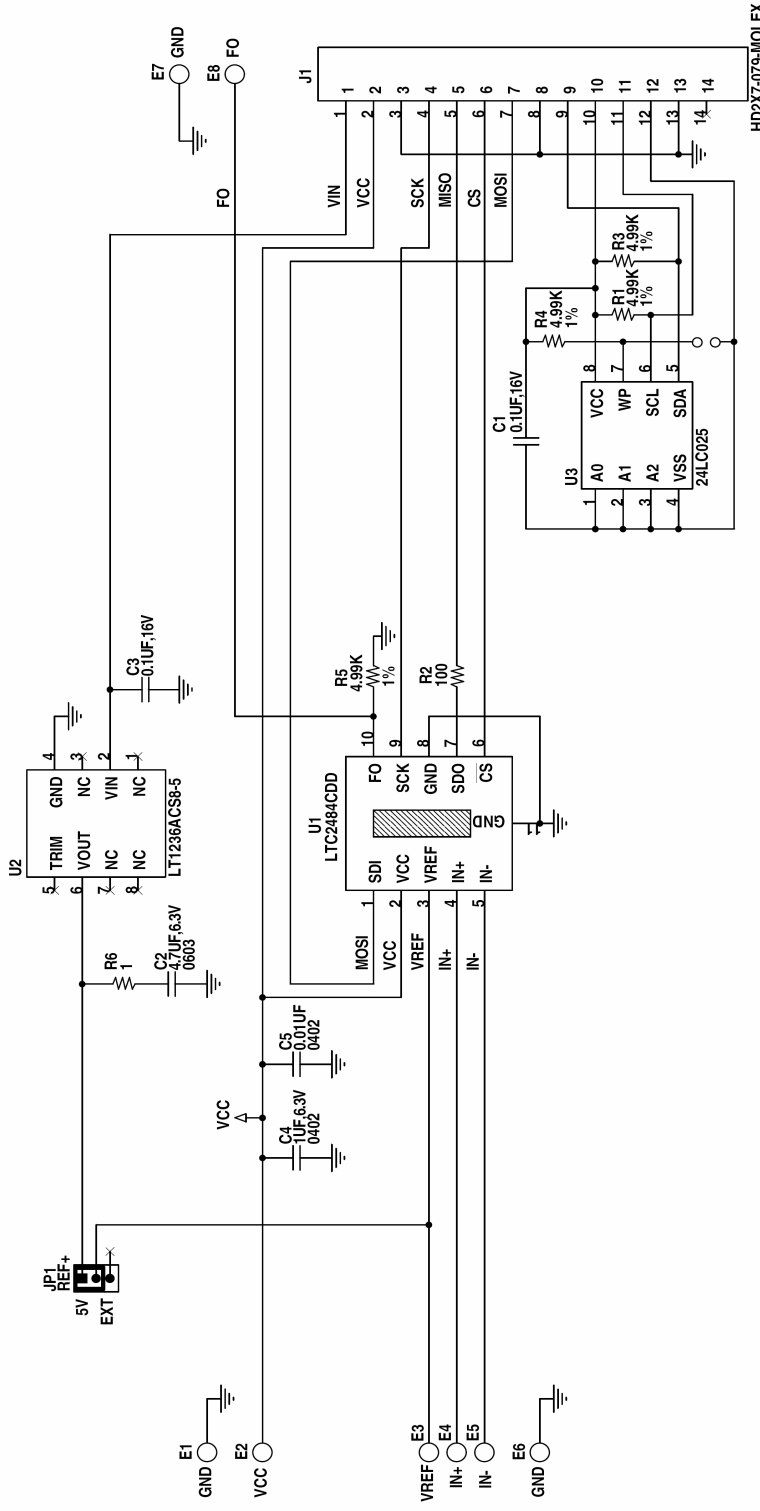
The LTC2484’s SINC4 digital filter is trimmed to reject 50 or 60 Hz line noise when operated with the internal conversion clock. To measure input normal mode rejection, connect IN- to a 2.5 volt source such as an LT1790-2.5 reference or 1k – 1k divider from the onboard 5V reference to ground. Apply a 10 Hz, 2V peak-to-peak sine wave to IN+ through a 1 $\mu$ F capacitor. No DC bias is required because the 2-3M $\Omega$  input impedance of the LTC2484 tends to self-bias the input to mid-reference (see datasheet applications information for details.)

Start taking data. The input noise will be quite large, and the graph of output vs. time should show large variations.

Next, slowly increase the frequency to 60 Hz (or 50Hz or 55Hz, depending on the selected rejection frequency.) The noise should be almost undetectable in the graph. Note that the indicated noise in ppm may still be above that of the datasheet specification because the inputs are not connected to a DC source.

# QUICK START GUIDE FOR DEMONSTRATION CIRCUIT 939

## 24-BIT DELTA SIGMA ADC



**CUSTOMER NOTICE**  
 LINEAR TECHNOLOGY HAS MADE A BEST EFFORT TO DESIGN A CIRCUIT THAT MEETS CUSTOMER-SUPPLIED SPECIFICATIONS; HOWEVER, IT REMAINS THE CUSTOMER'S RESPONSIBILITY TO VERIFY PROPER AND RELIABLE OPERATION IN THE ACTUAL APPLICATION. COMPONENT SUBSTITUTION AND PRINTED CIRCUIT BOARD LAYOUT MAY SIGNIFICANTLY AFFECT CIRCUIT PERFORMANCE OR RELIABILITY. CONTACT LINEAR TECHNOLOGY APPLICATIONS ENGINEERING FOR ASSISTANCE.  
 THIS CIRCUIT IS PROPRIETARY TO LINEAR TECHNOLOGY AND SUPPLIED FOR USE WITH LINEAR TECHNOLOGY PARTS.

- NOTES: UNLESS OTHERWISE SPECIFIED**
1. ALL RESISTORS ARE IN OHMS, 0402.  
ALL CAPACITORS ARE 0402.
  2. INSTALL SHUNT ON JP1 PIN 1 AND 2.

CONTRACT NO.		1630 McCarthy Blvd. Milpitas, CA 95035 Phone: (408)432-1900 Fax: (408)434-0507 LTC Confidential-For Customer Use Only	
APPROVALS		TITLE: SCHEMATIC	
DRAWN: KIM T.		24-BIT DELTA SIGMA ADC	
CHECKED:		SIZE A	
APPROVED:		DWG NO. DC939A * LTC2484CDD	
ENGINEER: MARK T.		REV A	
DESIGNER:		DATE: Wednesday, June 15, 2005	
		SHEET 1 OF 1	