



Chipsmall Limited consists of a professional team with an average of over 10 year of expertise in the distribution of electronic components. Based in Hongkong, we have already established firm and mutual-benefit business relationships with customers from,Europe,America and south Asia,supplying obsolete and hard-to-find components to meet their specific needs.

With the principle of “Quality Parts,Customers Priority,Honest Operation,and Considerate Service”,our business mainly focus on the distribution of electronic components. Line cards we deal with include Microchip,ALPS,ROHM,Xilinx,Pulse,ON,Everlight and Freescale. Main products comprise IC,Modules,Potentiometer,IC Socket,Relay,Connector.Our parts cover such applications as commercial,industrial, and automotives areas.

We are looking forward to setting up business relationship with you and hope to provide you with the best service and solution. Let us make a better world for our industry!



Contact us

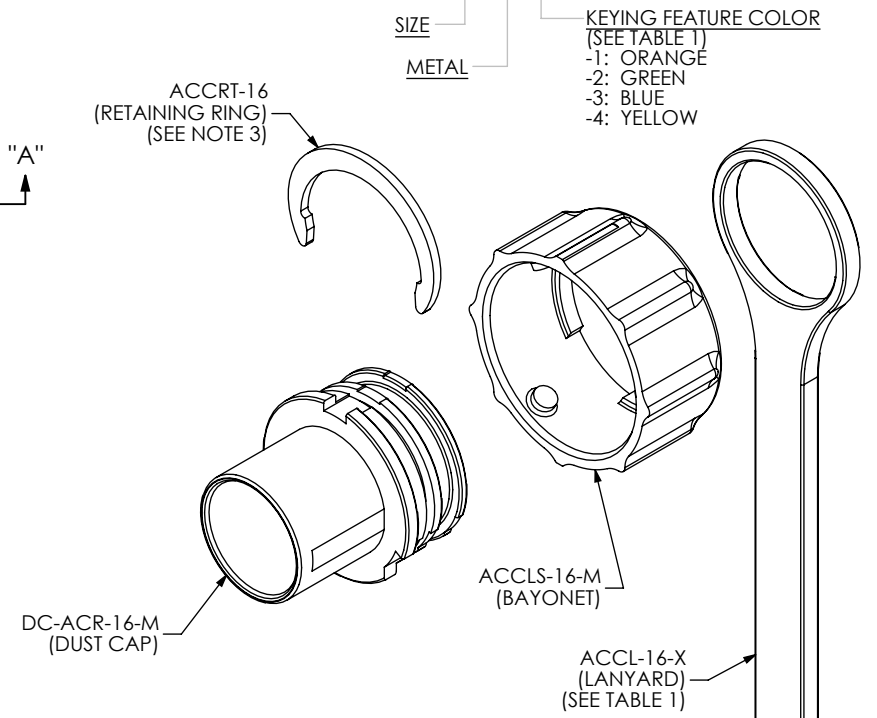
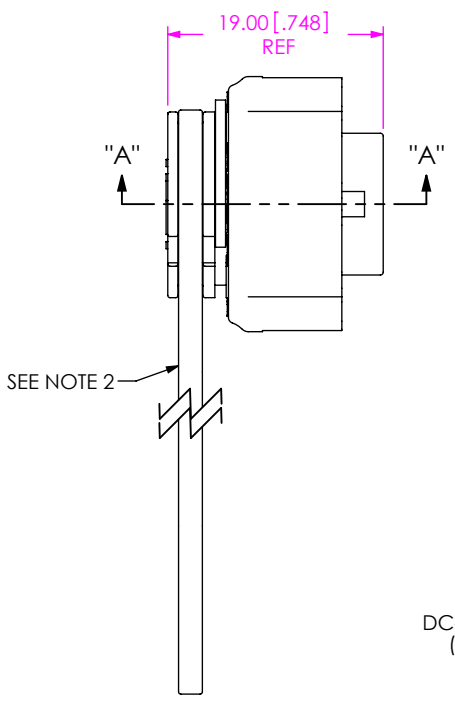
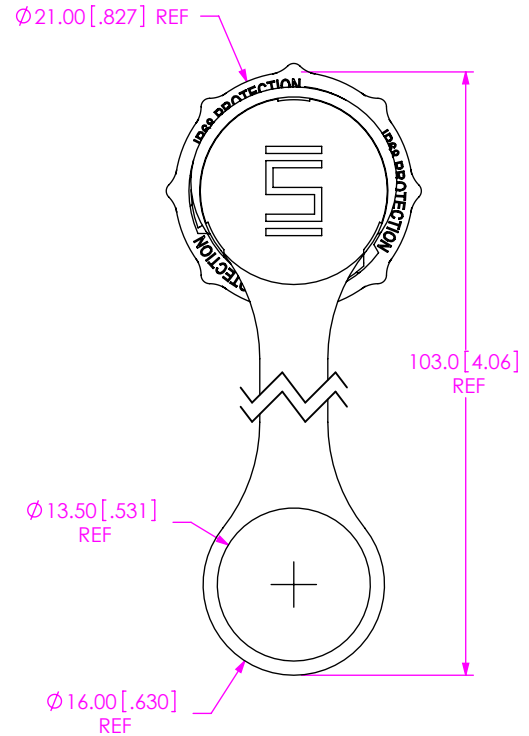
Tel: +86-755-8981 8866 Fax: +86-755-8427 6832

Email & Skype: info@chipsmall.com Web: www.chipsmall.com

Address: A1208, Overseas Decoration Building, #122 Zhenhua RD., Futian, Shenzhen, China



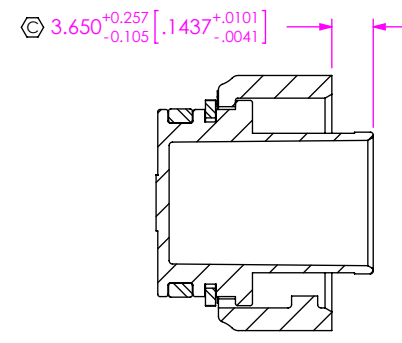
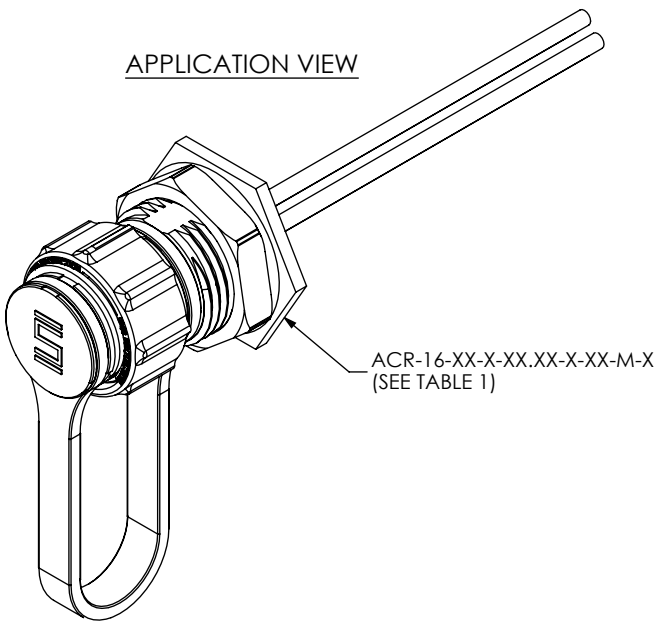
DO NOT
SCALE FROM
THIS PRINT



SIZE
METAL

KEYING FEATURE COLOR
(SEE TABLE 1)
-1: ORANGE
-2: GREEN
-3: BLUE
-4: YELLOW

APPLICATION VIEW



SECTION "A"- "A"

TABLE 1

CORRESPONDING CABLE PART NUMBER	KEYING FEATURE COLOR	ACCL-16-X
ACR-16-XX-X-XX.XX-X-XX-M-1	-1	ACCL-16-1
ACR-16-XX-X-XX.XX-X-XX-M-2	-2	ACCL-16-2
ACR-16-XX-X-XX.XX-X-XX-M-3	-3	ACCL-16-3
ACR-16-XX-X-XX.XX-X-XX-M-4	-4	ACCL-16-4

NOTES:

1. C REPRESENTS A CRITICAL DIMENSION.
2. ACCL-16-X MUST SEAT IN GROOVE IN DC-ACR-16-M.
3. SNAP ACCRT-16 INTO GROOVE ON DC-ACR-16-M.

UNLESS OTHERWISE SPECIFIED,
DIMENSIONS ARE IN MILLIMETERS.
TOLERANCES ARE:
DECIMALS ANGLES
X.X: ±0.3 [.01] 2°
X.XX: ±0.13 [.005]
X.XXX: ±0.051 [.0020]

PROPRIETARY NOTE
THIS DOCUMENT CONTAINS INFORMATION
CONFIDENTIAL AND PROPRIETARY TO
SAMTEC, INC. AND SHALL NOT BE REPRODUCED
OR TRANSFERRED TO OTHER DOCUMENTS OR
DISCLOSED TO OTHERS OR USED FOR ANY
PURPOSE OTHER THAN THAT WHICH IT WAS
OBTAINED WITHOUT THE EXPRESSED WRITTEN
CONSENT OF SAMTEC, INC.



520 PARK EAST BLVD, NEW ALBANY, IN 47150
PHONE: 812-944-6733 FAX: 812-948-5047
e-Mail: info@SAMTEC.com code 53322

MATERIAL: DC-ACR-16-M: ZINC ALLOY
ACCLS-16-M: ZINC ALLOY
ACCRT-16: STAINLESS STEEL
ACCL-16-X: SILICONE

DO NOT SCALE DRAWING SHEET SCALE: 1.5:1

DESCRIPTION:
ACCLIMATE CIRC. PANEL DUST CAP

DWG. NO. DCA-ACR-16-M-X

BY: D.SCHMELZ 04/26/2010 SHEET 1 OF 1