



Chipsmall Limited consists of a professional team with an average of over 10 year of expertise in the distribution of electronic components. Based in Hongkong, we have already established firm and mutual-benefit business relationships with customers from,Europe,America and south Asia,supplying obsolete and hard-to-find components to meet their specific needs.

With the principle of “Quality Parts,Customers Priority,Honest Operation,and Considerate Service”,our business mainly focus on the distribution of electronic components. Line cards we deal with include Microchip,ALPS,ROHM,Xilinx,Pulse,ON,Everlight and Freescale. Main products comprise IC,Modules,Potentiometer,IC Socket,Relay,Connector.Our parts cover such applications as commercial,industrial, and automotives areas.

We are looking forward to setting up business relationship with you and hope to provide you with the best service and solution. Let us make a better world for our industry!



## Contact us

Tel: +86-755-8981 8866 Fax: +86-755-8427 6832

Email & Skype: info@chipsmall.com Web: www.chipsmall.com

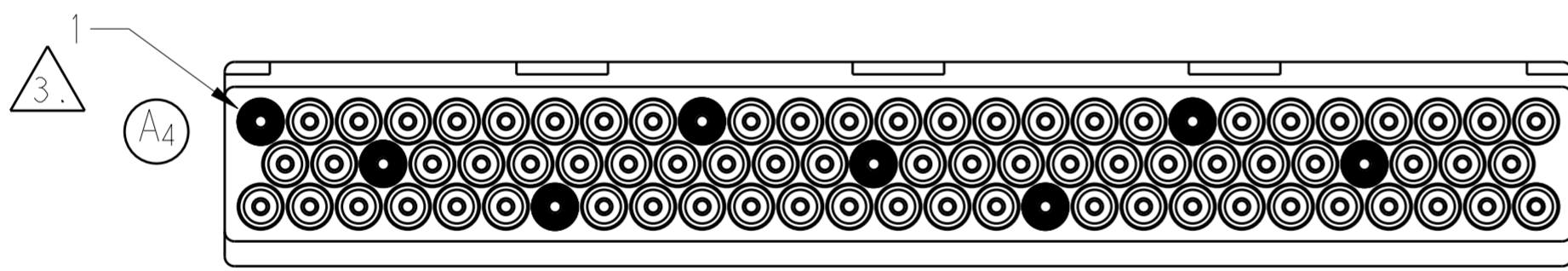
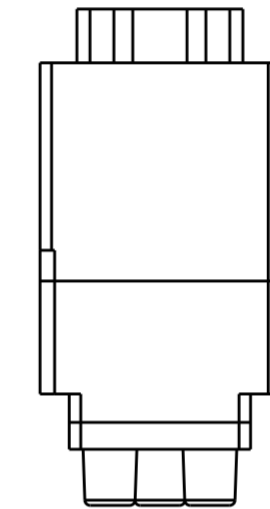
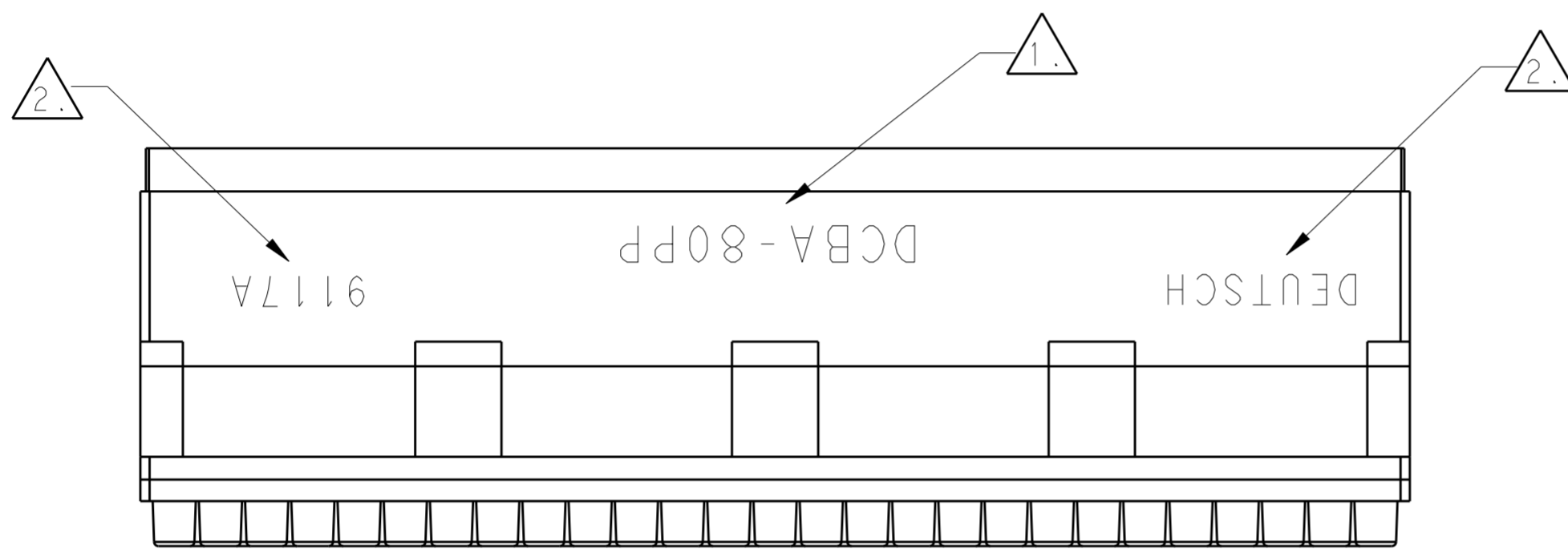
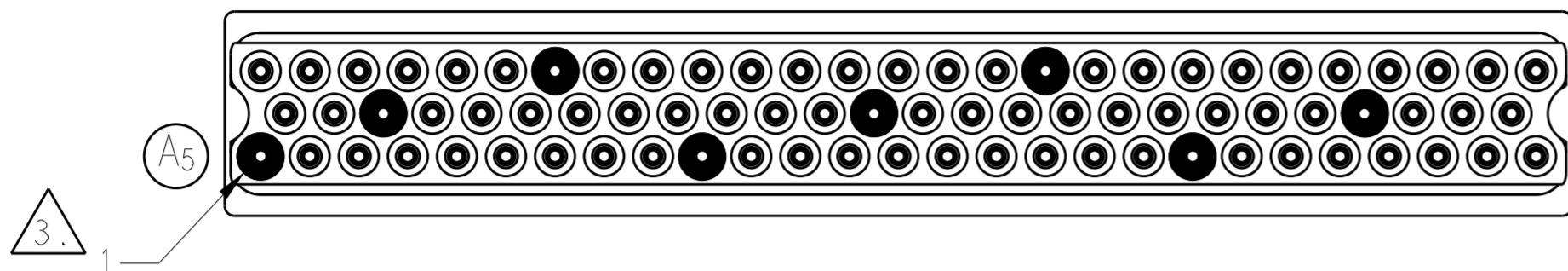
Address: A1208, Overseas Decoration Building, #122 Zhenhua RD., Futian, Shenzhen, China



THIS DRAWING IS UNPUBLISHED. RELEASED FOR PUBLICATION 20  
 © COPYRIGHT 20 BY - ALL RIGHTS RESERVED.

PROPERTY OF TE CONNECTIVITY  
 THIS INFORMATION IS CONFIDENTIAL AND PROPRIETARY TO TYCO ELECTRONICS CORPORATION  
 AND ITS WORLDWIDE SUBSIDIARIES AND AFFILIATES (TE). IT MAY NOT BE DISCLOSED TO  
 ANYONE, OTHER THAN TE PERSONNEL, WITHOUT AUTHORIZATION FROM TE (www.TE.com).

LOC		DIST		REVISIONS			
P	LTR	DESCRIPTION	DATE	DWN	APVD		
N/C		NEW RELEASE PER EO A11967	911101	TH	JP		
A		REVISED PER ECO-15-004066	150313	SS	MA		



3. MARK CAVITY IDENTIFICATION AS INDICATED ON CAVITIES 1, 10, 20, 30, 40, 50, 60 AND 70 PER DPS 1-141-21 COLOR WHITE. (A3)

2. MARK DEUTSCH AND DATE CODE ON SURFACE INDICATED PER DPS 1-141-18, CLASS II, TYPE III (WHITE). (A2)

1. MARK PART IDENTIFICATION AS SHOWN PER DPS 1-141-18. CLASS II (WHITE), TYPE III, CHARACTERS TO BE CENTERED AS SHOWN. (A1)

NOTES: UNLESS OTHERWISE SPECIFIED.

THIS DRAWING IS A CONTROLLED DOCUMENT.		DWN T. HOLT	910522	<b>STE</b> TE Connectivity	
DIMENSIONS: INCHES		CHK J. POWELL	911101		
TOLERANCES UNLESS OTHERWISE SPECIFIED:		APVD J. POWELL	911101	NAME MODULE, PIN ABC CONNECTOR 80 SIZE 22 CAVITIES DCBA POSITION PLUG MARKING DWG	
0 PLC ±-		PRODUCT SPEC		SIZE	A2
1 PLC ±.1		APPLICATION SPEC		CAGE CODE	-
2 PLC ±.01		WEIGHT	-	DRAWING NO	C-DCBA-80PP
3 PLC ±.005		MATERIAL	-	RESTRICTED TO	-
4 PLC ±.0005		Customer Drawing		SCALE	NONE
ANGLES ±.5°				SHEET	1 OF 1
FINISH				REV	A