



Chipsmall Limited consists of a professional team with an average of over 10 year of expertise in the distribution of electronic components. Based in Hongkong, we have already established firm and mutual-benefit business relationships with customers from,Europe,America and south Asia,supplying obsolete and hard-to-find components to meet their specific needs.

With the principle of “Quality Parts,Customers Priority,Honest Operation,and Considerate Service”,our business mainly focus on the distribution of electronic components. Line cards we deal with include Microchip,ALPS,ROHM,Xilinx,Pulse,ON,Everlight and Freescale. Main products comprise IC,Modules,Potentiometer,IC Socket,Relay,Connector.Our parts cover such applications as commercial,industrial, and automotives areas.

We are looking forward to setting up business relationship with you and hope to provide you with the best service and solution. Let us make a better world for our industry!



Contact us

Tel: +86-755-8981 8866 Fax: +86-755-8427 6832

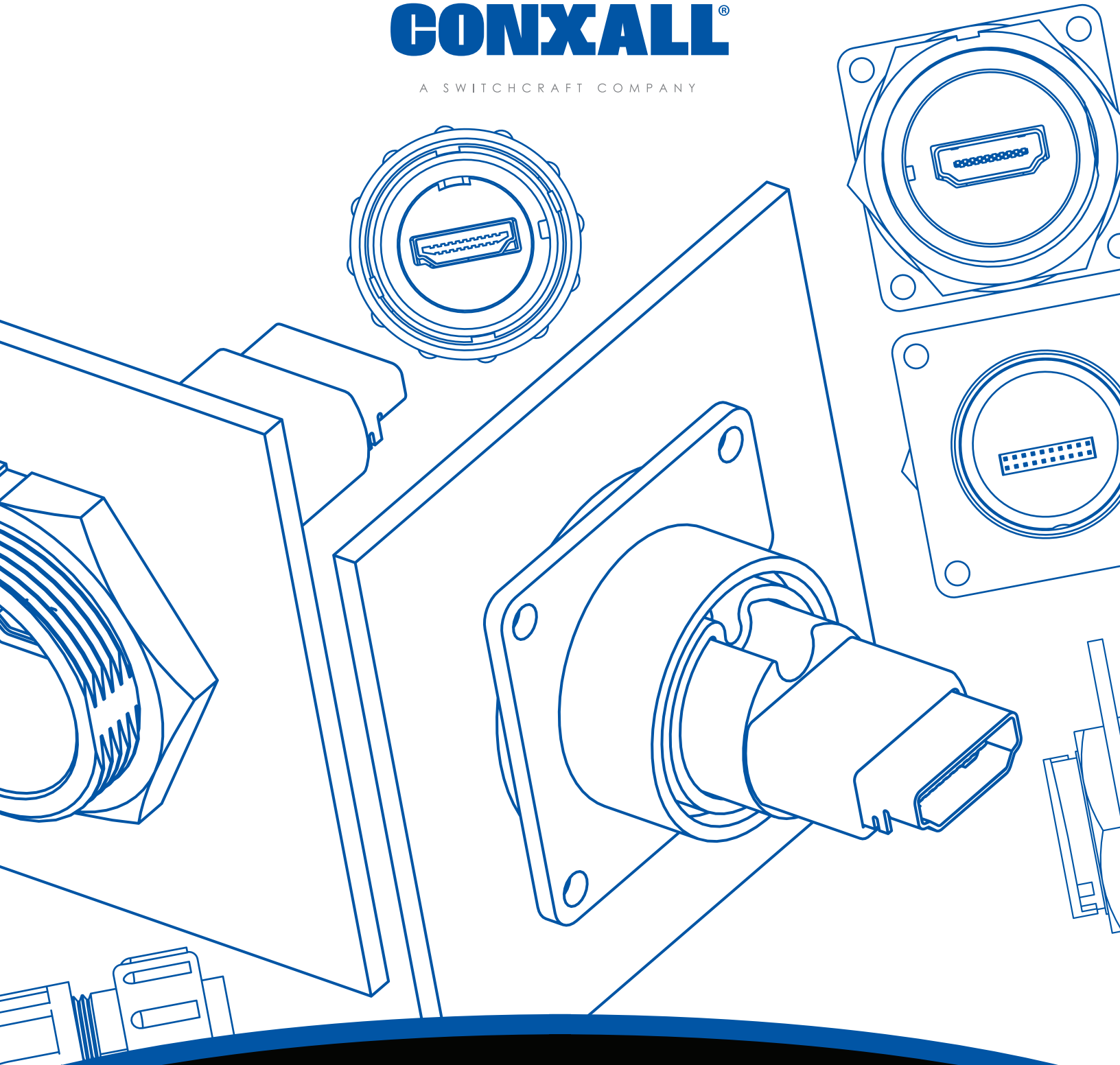
Email & Skype: info@chipsmall.com Web: www.chipsmall.com

Address: A1208, Overseas Decoration Building, #122 Zhenhua RD., Futian, Shenzhen, China



CONXALL®

A SWITCHCRAFT COMPANY



HDMI WEATHERTIGHT CONNECTORS

NPB | C714

HDMI WEATHERTIGHT CONNECTORS

NPB | C714



FEATURES & BENEFITS

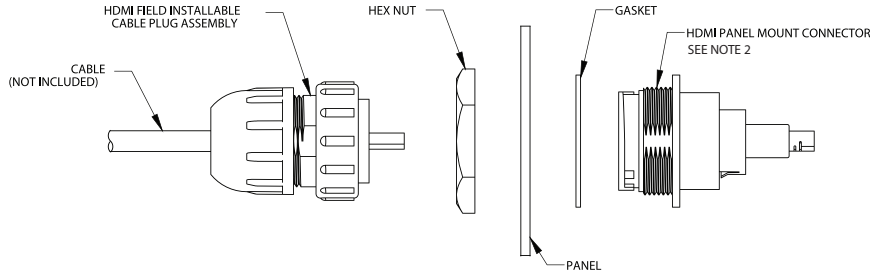
- Sealed to IP67 & IP68 NEMA 250 (6P)
(when panel connector is rear mounted
and mated to the cable)
- Feed-thru termination on the panel for
easy field installation
- Easy to assemble
- Quick connect bayonet or threaded
style interface
- RoHS Compliant - UV F1 rated housing

APPLICATIONS

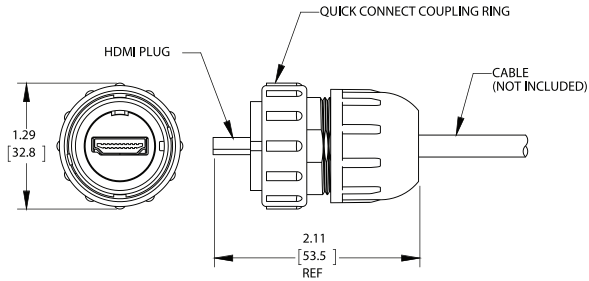
- Data transmission
- Military or industrial
GPS location devices
- Instrumentation
- Medical data carts
- Data acquisition units
- General industrial applications

HDMI WEATHERTIGHT CONNECTORS

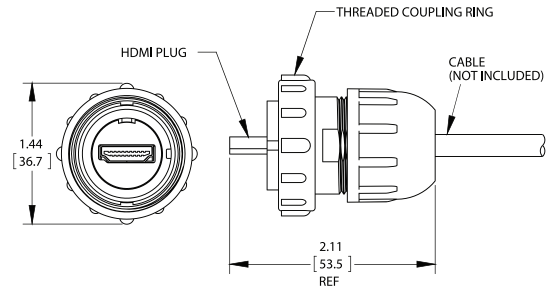
NPB | C714



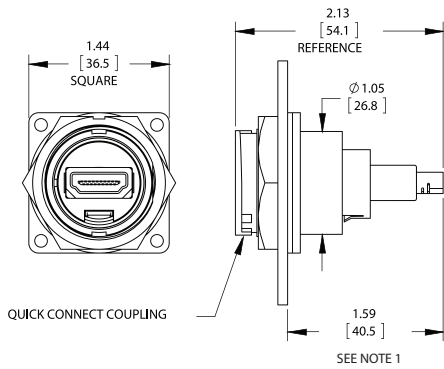
INDUSTRIAL HDMI CABLE PLUG
 QUICK CONNECT COUPLING
 (DCC-HDMIB-310 SHOWN)



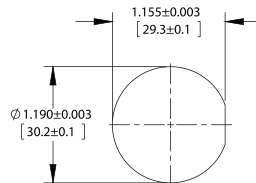
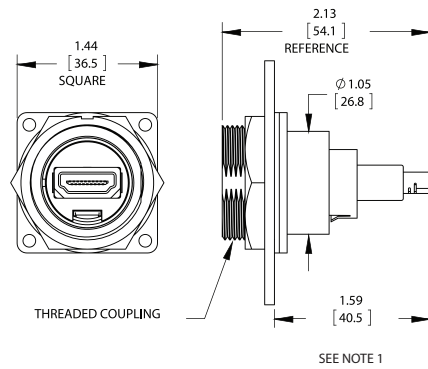
INDUSTRIAL HDMI CABLE PLUG
 THREADED COUPLING
 (DCC-HDMIT-310 SHOWN)



DCP-HDMIB-F SHOWN
 (HDMI FEED-THRU CONNECTOR WITH QUICK-CONNECT COUPLING)



DCP-HDMIT-F SHOWN
 (HDMI FEED-THRU CONNECTOR WITH THREADED COUPLING)



RECOMMENDED PANEL CUT-OUT
 QUICK CONNECT COUPLING
 OR THREADED COUPLING

NOTE 1: THE DIMENSION DOES NOT INCLUDE GASKET COMPRESSION.

NOTE 2: THE PANEL CONNECTOR MEETS IP67 & IP68, NEMA 250 (6P) WHEN CONNECTOR IS REAR MOUNTED USING THE HEX NUT.

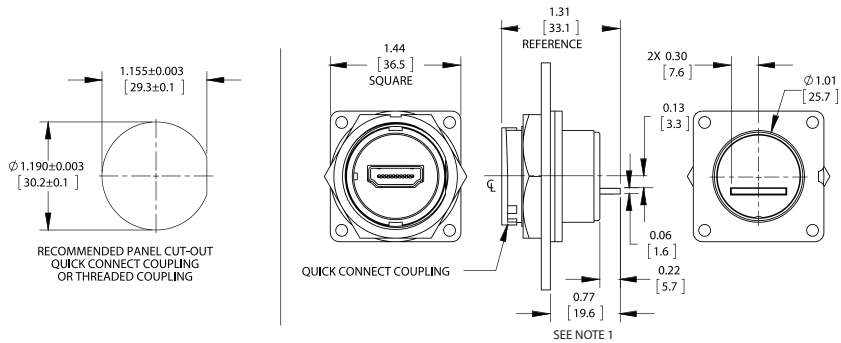
UNITS ARE LISTED IN INCHES [mm]. ALL DIMENSIONS ARE REFERENCE ONLY.

PLEASE VISIT WWW.CONXALL.COM FOR THE MOST UP-TO-DATE PRODUCT SPECIFICATIONS.

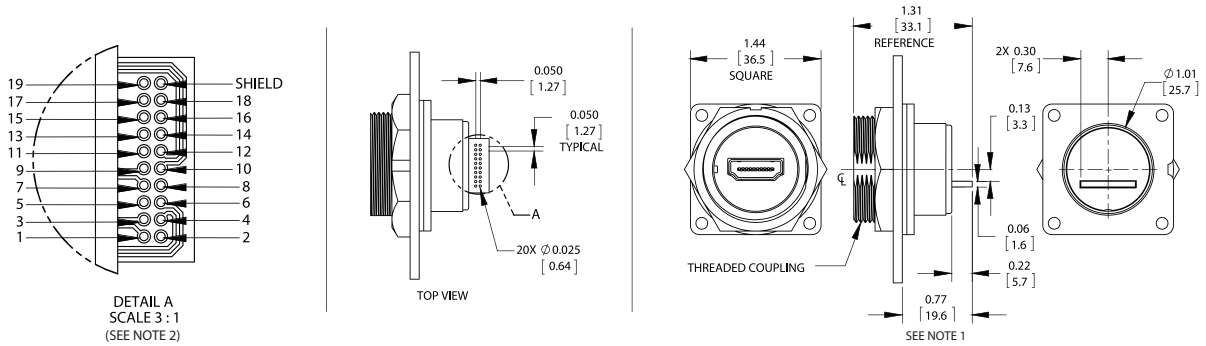
HDMI WEATHERTIGHT CONNECTORS

NPB | C714

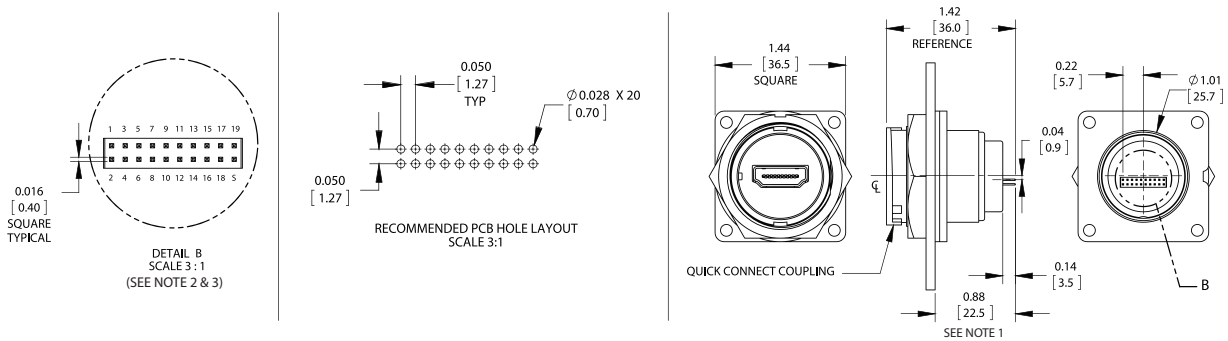
DCP-HDMIB-SC SHOWN
(HDMI CONNECTOR TO PCB HOLES WITH QUICK-CONNECT COUPLING)



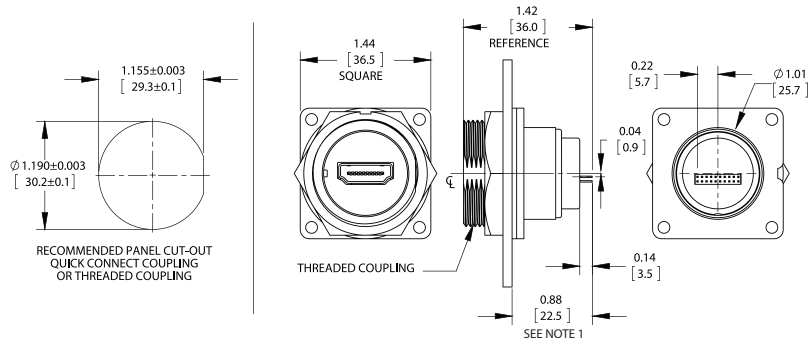
DCP-HDMIT-SC SHOWN
(HDMI CONNECTOR TO PCB HOLES WITH THREADED COUPLING)



DCP-HDMIB-HD SHOWN
(HDMI CONNECTOR TO HEADER WITH QUICK-CONNECT COUPLING)



DCP-HDMIT-HD SHOWN
(HDMI CONNECTOR TO HEADER WITH THREADED COUPLING)



NOTE 1: THE DIMENSION DOES NOT INCLUDE GASKET COMPRESSION. NOTE 2: THE PINOUT IS TYPICAL FOR THREADED OR QUICK CONNECT COUPLING.
NOTE 3: THE NUMBERS ARE FOR REFERENCE ONLY AND DO NOT APPEAR ON THE PART.
UNITS ARE LISTED IN INCHES [mm]. ALL DIMENSIONS ARE REFERENCE ONLY.

PLEASE VISIT WWW.CONXALL.COM FOR THE MOST UP-TO-DATE PRODUCT SPECIFICATIONS.

HDMI WEATHERTIGHT CONNECTORS

NPB | C714

SPECIFICATIONS

MECHANICAL SPECIFICATIONS

| | |
|-------------------------|---|
| Life: | Minimum 350 insertion/withdrawal cycles |
| Hex Nut Torque: | 10-12 in-lb max |
| Coupling Locking Style: | Quick Connect (Bayonet) or Threaded |
| Backshell Style: | Threaded Nut-Squeezed Grommet |

ELECTRICAL SPECIFICATIONS

| | |
|----------------------------------|-----------------------------|
| Current Rating: | 0.5 A |
| Contact Resistance: | 50 mΩ max |
| Insulation Resistance: | 10 MΩ min (mated) |
| Dielectric Withstanding Voltage: | 300 V AC/one minute (mated) |

ENVIRONMENTAL SPECIFICATIONS

| | |
|------------------------------|--|
| Temperature Rating: | -20 °C to +80 °C (-4°F to +176°F) |
| Moisture Resistance: | Mil-Std 202G Method 106G |
| Insulation Resistance: | Mil-Std 202G Method 302 |
| Vibration: | Mil-Std 202G Method 201A |
| Thermal Shock: | Mil-Std 202G Method 107G |
| Weathertight: | IP67 & IP68, NEMA 250 (6P) (when rear mounted & mated) |
| Salt Atmosphere (Corrosion): | Mil-Std 202G Method 101E |

MATERIAL SPECIFICATIONS

| | |
|--------------------------|---------------|
| Plug Nut, Coupling Ring: | Thermoplastic |
| Plug Housing, Insert: | Thermoplastic |
| Sealing Ring, O-Ring: | Elastomer |
| Panel Housing, Hex Nut: | Thermoplastic |
| Gasket: | Elastomer |

HDMI Plug:

| | |
|------------|---------------------------------------|
| Shell: | Copper Alloy, Nickel Plated |
| Contacts: | Copper Alloy, Gold Plated over Nickel |
| Insulator: | Thermoplastic |
| PCB: | FR-4 |

HDMI Feed-Thru Receptacle:

| | |
|------------|-----------------------------|
| Shell: | Copper Alloy, Nickel Plated |
| Contacts: | Copper Alloy, Gold Plated |
| Insulator: | Thermoplastic |

HDMI PCB Receptacle:

| | |
|------------|-------------------------------------|
| Shell: | Copper Alloy, Tin Plated |
| Contacts: | Copper Alloy, Selective Gold Plated |
| Insulator: | Thermoplastic |

MOLDED CABLE ASSEMBLIES

Consult factory for molded options

OTHER

| | |
|------------------------------|---|
| Flame Rating: | UL 94V-0 |
| Recommended Panel Thickness: | 1/32" - 3/16" [0.8mm to 4.8mm] - Quick Connect Coupling 1/32" - 5/32" [0.8mm to 3.9mm] - Threaded Coupling |

Recommended Cable Type

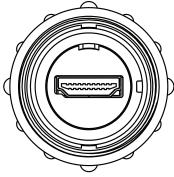
| | |
|-------------------------|-----------------------------|
| Cable Type: | HDMI High Speed |
| Outer Cable O.D. Range: | 0.197"-0.236" [5.0mm-6.0mm] |

HDMI WEATHERTIGHT CONNECTORS

NPB | C714

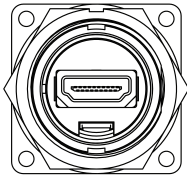
PART NUMBERS

INDUSTRIAL HDMI PLUG - FIELD INSTALLABLE



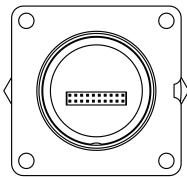
| PART NUMBER | COUPLING TYPE |
|---------------|---------------|
| DCC-HDMIB-310 | QUICK CONNECT |
| DCC-HDMIT-310 | THREADED |

HDMI PANEL CONNECTOR - FEED-THRU



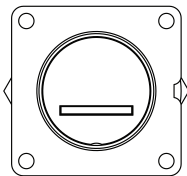
| PART NUMBER | COUPLING TYPE | DESCRIPTION |
|-------------|---------------|--------------------------------|
| DCP-HDMIB-F | QUICK CONNECT | HDMI FEED-THRU PANEL CONNECTOR |
| DCP-HDMIT-F | THREADED | HDMI FEED-THRU PANEL CONNECTOR |

HDMI PANEL CONNECTOR - HDMI TO HEADER



| PART NUMBER | COUPLING TYPE | DESCRIPTION |
|--------------|---------------|---------------------------------|
| DCP-HDMIB-HD | QUICK CONNECT | HDMI CONNECTOR TO 20 PIN HEADER |
| DCP-HDMIT-HD | THREADED | HDMI CONNECTOR TO 20 PIN HEADER |

HDMI PANEL CONNECTOR - HDMI TO PCB HOLES



| PART NUMBER | COUPLING TYPE | DESCRIPTION |
|--------------|---------------|-----------------------------|
| DCP-HDMIB-SC | QUICK CONNECT | HDMI CONNECTOR TO PCB HOLES |
| DCP-HDMIT-SC | THREADED | HDMI CONNECTOR TO PCB HOLES |