



Chipsmall Limited consists of a professional team with an average of over 10 year of expertise in the distribution of electronic components. Based in Hongkong, we have already established firm and mutual-benefit business relationships with customers from,Europe,America and south Asia,supplying obsolete and hard-to-find components to meet their specific needs.

With the principle of “Quality Parts,Customers Priority,Honest Operation,and Considerate Service”,our business mainly focus on the distribution of electronic components. Line cards we deal with include Microchip,ALPS,ROHM,Xilinx,Pulse,ON,Everlight and Freescale. Main products comprise IC,Modules,Potentiometer,IC Socket,Relay,Connector.Our parts cover such applications as commercial,industrial, and automotives areas.

We are looking forward to setting up business relationship with you and hope to provide you with the best service and solution. Let us make a better world for our industry!



Contact us

Tel: +86-755-8981 8866 Fax: +86-755-8427 6832

Email & Skype: info@chipsmall.com Web: www.chipsmall.com

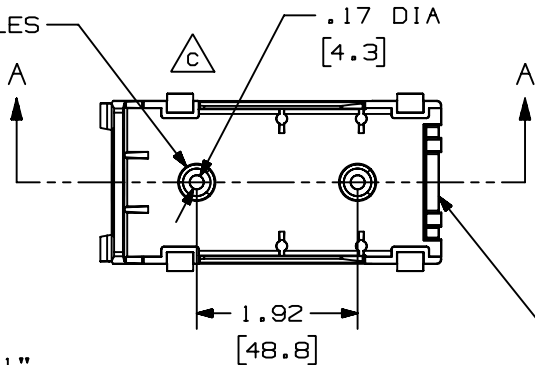
Address: A1208, Overseas Decoration Building, #122 Zhenhua RD., Futian, Shenzhen, China



THIS COPY IS PROVIDED ON A RESTRICTED BASIS AND IS NOT TO BE USED IN ANY WAY DETRIMENTAL TO THE INTERESTS OF PANDUIT CORP.

PANDUIT P/N	WEIGHT
DCEFX-X	18.7 LB/100 PCS (8500g/100 PCS)

MOUNTING HOLES
(2 PLACES)



A

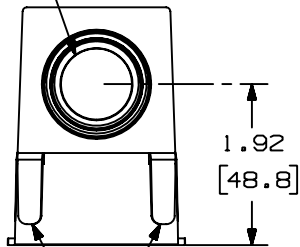
NOTES:

- SEE CURRENT CATALOG FOR ADDITIONAL PART NUMBER SUFFIXES TO INDICATE COLOR AND/OR PACKAGE QUANTITY.
- CAN BE USED WITH VARIOUS TYPES OF PAN-WAY RACEWAYS AND ADAPTERS.
- DIMENSIONS IN PARENTHESES ARE IN METRIC.

B

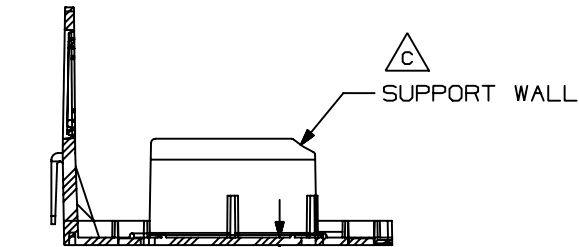
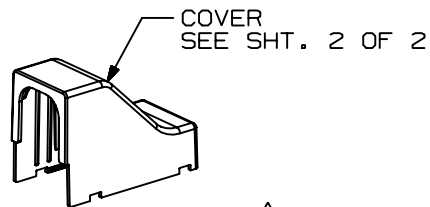
E

KNOCKOUTS FOR
1/2", 3/4" AND 1"
CONDUIT ENTRIES

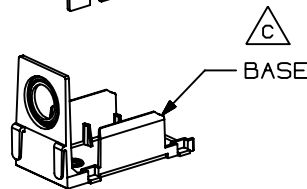


SUSPENDED CEILING
HOLDING TABS

BREAKOUTS FOR
RACEWAY ENTRY



SECTION A-A



CAD FILENAME/LAYERS

D35542BA_DCEFX_03

PANDUIT CORP. TINLEY PARK, ILLINOIS
DROP CEILING ENTRANCE FITTING
(DCEFX-X)
CUSTOMER DRAWING

UNLESS OTHERWISE SPECIFIED,
DIMENSIONAL TOLERANCES ARE:
(.X) ± (.XXX) ±.010(.3)
(.XX) ±.03(.8) ANGLES ±

UNLESS OTHERWISE SPECIFIED,
ALL DIMENSIONS ARE GIVEN
IN INCHES, THIRD ANGLE PROJECTION.

DRAWN BY
DW

MAT'L:

SCALE

NONE

DATE
3-26-96

PVC

DRAWING NO.

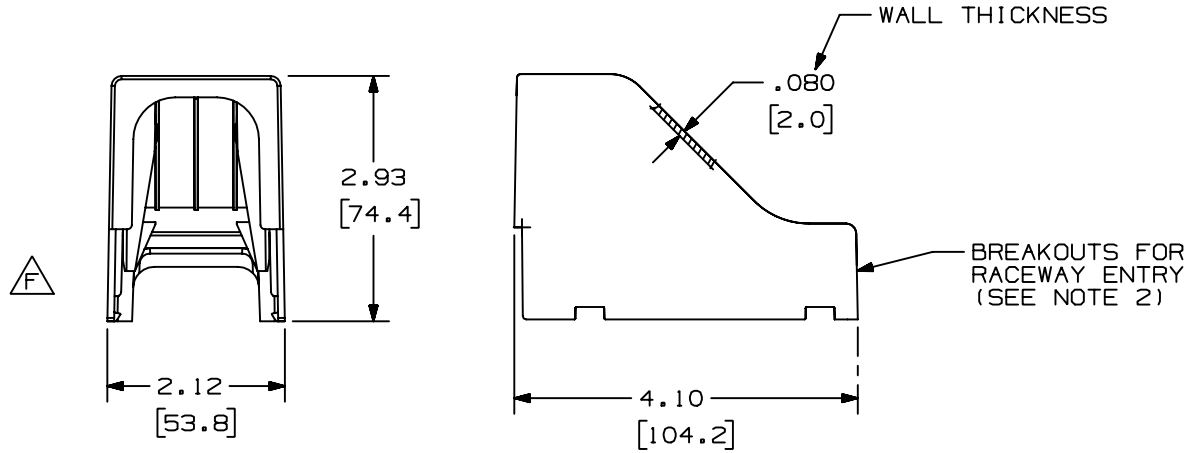
35542-01
SHT 1 OF 2

DWG

A
SIZE

REV	DATE	BY	CHK	DESCRIPTION	ECN	CHK	CUST	SUP
3	1-02-97	RCA	CEF	G. ADDED SEE SHEET 1 OF 2 FOR REVISION ON PAGE 2, REV 2.	35542-01	CEF	CEF	
-	-----	--	---	F. REVISED GEOMETRY - ADDED INTERIOR RIBS E. REVISED EDGE RADIUS	-----	---	---	
2	12-17-96	PM	CEF	D. REVISED WEIGHT C. ADDED SUPPORT WALL	35542-01	CEF	CEF	
1	10-16-96	RCA	CEF	B. CHANGED P/N FROM DCEFX-A TO DCEFX-X. A. REMOVED NOTE 3 AND NOTES RELATING TO ADHESIVE.	35542-01	CEF	CEF	
R	3-26-96	DW	CEF	RELEASED TO PRODUCTION.	35542-01	CEF		

THIS COPY IS PROVIDED ON A RESTRICTED BASIS AND IS NOT TO BE USED IN ANY WAY DETRIMENTAL TO THE INTERESTS OF PANDUIT CORP.



G

CAD FILENAME/LAYERS D35542BA_DCEFX_03

PANDUIT CORP. TINLEY PARK, ILLINOIS
 DROP CEILING ENTRANCE FITTING
 (DCEFX-X)
 CUSTOMER DRAWING

REV	DATE	BY	CHK	DESCRIPTION	ECN	CHK	CUST	SUP
3	01-02-96	RCA	CEF	FOR REVISIONS SEE SHT 1 OF 2.	35542-01	CEF	CEF	
2	12-17-96	PM	CEF	FOR REVISIONS SEE SHT 1 OF 2.	35542-01	CEF	CEF	
1	10-16-96	RCA	CEF	FOR REVISIONS SEE SHT 1 OF 2.	35542-01	CEF	CEF	
R	03-26-96	DW	CEF	FOR REVISIONS SEE SHT 1 OF 2.	35542-01	CEF	CEF	

UNLESS OTHERWISE SPECIFIED,
 DIMENSIONAL TOLERANCES ARE:
 (.X) ± (.XXX) ±.010(.3)
 (.XX) ±.03(.8) ANGLES ±

UNLESS OTHERWISE SPECIFIED,
 ALL DIMENSIONS ARE GIVEN
 IN INCHES, THIRD ANGLE PROJECTION.

DRAWN BY DW
 DATE 03-26-96
 CHECKED BY CEF

MAT'L:
 PVC

SCALE NONE
 DRAWING NO. 35542-01
 SHT 2 OF 2
 DWG SIZE A