



Chipsmall Limited consists of a professional team with an average of over 10 year of expertise in the distribution of electronic components. Based in Hongkong, we have already established firm and mutual-benefit business relationships with customers from,Europe,America and south Asia,supplying obsolete and hard-to-find components to meet their specific needs.

With the principle of “Quality Parts,Customers Priority,Honest Operation,and Considerate Service”,our business mainly focus on the distribution of electronic components. Line cards we deal with include Microchip,ALPS,ROHM,Xilinx,Pulse,ON,Everlight and Freescale. Main products comprise IC,Modules,Potentiometer,IC Socket,Relay,Connector.Our parts cover such applications as commercial,industrial, and automotives areas.

We are looking forward to setting up business relationship with you and hope to provide you with the best service and solution. Let us make a better world for our industry!



Contact us

Tel: +86-755-8981 8866 Fax: +86-755-8427 6832

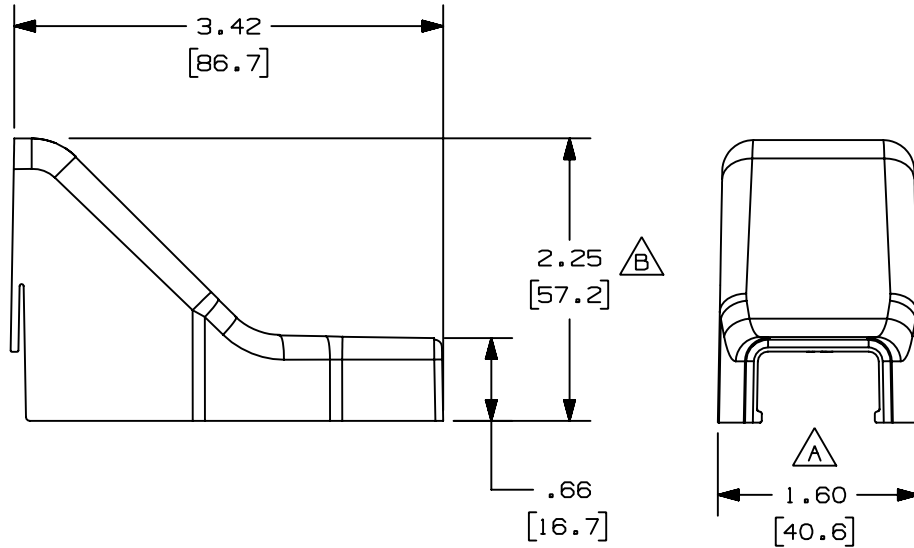
Email & Skype: info@chipsmall.com Web: www.chipsmall.com

Address: A1208, Overseas Decoration Building, #122 Zhenhua RD., Futian, Shenzhen, China



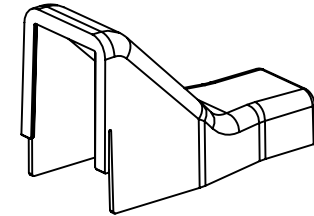
THIS COPY IS PROVIDED ON A RESTRICTED BASIS AND IS NOT TO BE USED IN ANY WAY DETRIMENTAL TO THE INTERESTS OF PANDUIT CORP.

PANDUIT P/N	WEIGHT
DCF5	.040 lbs (18.14 g)



NOTES:

1. SEE CURRENT CATALOG FOR ADDITIONAL PART SUFFIXES TO INDICATE COLOR AND OR PACKAGE QUANTITY.
2. THE DCF5 FITTING IS USED WITH LD5 AND LDP5 RACEWAYS.
3. DIMENSIONS IN PARENTHESIS ARE IN METRIC.



CAD FILENAME/LAYERS D36725DG_DC_DCF5_00E.PRT

PANDUIT CORP. TINLEY PARK, ILLINOIS
LD5 DROP CEILING FITTING
(DCF5)
CUSTOMER DRAWING

REV	DATE	BY	CHK	DESCRIPTION	ECN	R	CUST	SUP
4	01-20-05	JBN	RMHI	E. REVISED WEIGHT OF THE PART	36725-11	RGRO	RGRO	
3	03-08-04	JHEP	RGRO	D. REMOVED CD5 FROM NOTE 2	36725-11	RGRO	RGRO	
2	07-02-02	JHNU	RMHI	C. REVISED MATERIAL IN DRAWING TITLE BLOCK.	36725-11	RGRO	RGRO	
1	06-18-99	DW	HIW	B. CORRECTED DIMENSION WAS 2.25(57.1). A. CORRECTED DIMENSION WAS 1.59(40.4).	36725-11	HIW	HIW	
R	05-25-99	DW	HIW	RELEASED TO PRODUCTION	36725-11	HIW	HIW	

UNLESS OTHERWISE SPECIFIED, DIMENSIONAL TOLERANCES ARE: (.X) ± (.XXX) ± (.XX) ±.03 (.8) ANGLES ±		UNLESS OTHERWISE SPECIFIED, ALL DIMENSIONS ARE GIVEN IN INCHES, THIRD ANGLE PROJECTION.
DRAWN BY DW	MAT'L: ABS	SCALE NONE
DATE 05-21-99		DRAWING NO. 36725-11
CHK'D HIW		DWG A SIZE