



Chipsmall Limited consists of a professional team with an average of over 10 year of expertise in the distribution of electronic components. Based in Hongkong, we have already established firm and mutual-benefit business relationships with customers from,Europe,America and south Asia,supplying obsolete and hard-to-find components to meet their specific needs.

With the principle of “Quality Parts,Customers Priority,Honest Operation,and Considerate Service”,our business mainly focus on the distribution of electronic components. Line cards we deal with include Microchip,ALPS,ROHM,Xilinx,Pulse,ON,Everlight and Freescale. Main products comprise IC,Modules,Potentiometer,IC Socket,Relay,Connector.Our parts cover such applications as commercial,industrial, and automotives areas.

We are looking forward to setting up business relationship with you and hope to provide you with the best service and solution. Let us make a better world for our industry!



## Contact us

Tel: +86-755-8981 8866 Fax: +86-755-8427 6832

Email & Skype: info@chipsmall.com Web: www.chipsmall.com

Address: A1208, Overseas Decoration Building, #122 Zhenhua RD., Futian, Shenzhen, China





### Data Sheet

**Total Power:** 3 Watts  
**Input Voltage:** 100 - 254 Vac  
**# of Outputs:** Single

### SPECIAL FEATURES

- USB Switching wallmount power supply
- Universal AC input
- Available in multiple AC plug configurations
- CE Mark EMC & LVD, & ErP 2011 for EU versions
- Regulated output
- Overload and short circuit protection
- Constant voltage, constant current
- Efficiency Level V
- Built in EMI filter (CISPR 22 Class B)
- Available in various output connectors
- Mini USB 2.0 dc output plug - 0005
- Micro USB 2.0 dc output plug - 0006

### SAFETY

- UL 60950/6500
- cUL 60950/6500
- TUV 60950
- NEMKO 60950
- CB Certificate and report
- CE EMC, LVD & ErP 2011 for EU & UK versions
- CTIA
- ENEC



### Electrical Specifications

Input	
Input range:	100 - 240 Vac (wide range)
Frequency:	47 - 63 Hz
EMI/RFI:	FCC Part 15, Subpart B Class B & EN55022 (CISPR 22) Class B & EMC89/336/EEC
Safety ground leakage current:	10 $\mu$ A @ 50/60 Hz, 230 Vac input
Output	
Voltage (Vo):	5 V (4.75 - 5.25 V)
Maximum Power (Po):	3 W
Hold-up time:	25 ms. typical at full load @ 115 Vac
Overvoltage protection:	Single fault 10.5 V max. Latching type
Overload protection:	Output short circuit protection auto recover Overload protected > 800 mA
Output:	DC cable with Mini USB 2.0 -0005 suffix and Micro USB 2.0 -0006
Connector Pinout:	Pin 1: +V Pin 5: ground

### Environmental Specifications

Operating temperature:	0° to 45 °C ambient
Storage temperature:	-20 °C to +70 °C
Electromagnetic susceptibility:	Designed to meet EN55082-1
Humidity:	Operating; non-condensing 20% to 90% RH
Vibration:	Per IEC 60068-2-6

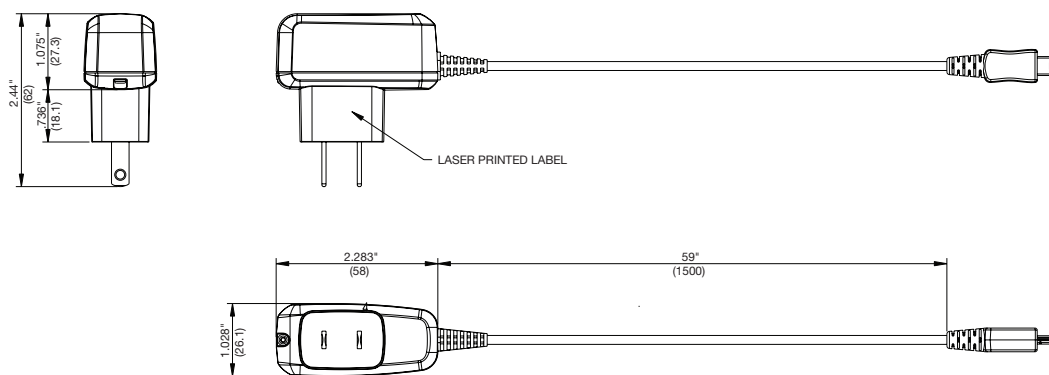
### Ordering Information

Model Number	Maximum Power	Output Voltage	Minimum Load	Maximum Load	Ripple P/P (PARD) <sup>1</sup>	Connector
DCH3-050US-0005	3 W	5 V	0	0.55 A	200 mV	Mini USB 2.0
DCH3-050EU-0005	3 W	5 V	0	0.55 A	200 mV	Mini USB 2.0
DCH3-050UK-0005	3 W	5 V	0	0.55 A	200 mV	Mini USB 2.0
DCH3-050US-0006	3 W	5 V	0	0.55 A	200 mV	Micro USB 2.0
DCH3-050EU-0006	3 W	5 V	0	0.55 A	200 mV	Micro USB 2.0
DCH3-050UK-0006	3 W	5 V	0	0.55 A	200 mV	Micro USB 2.0

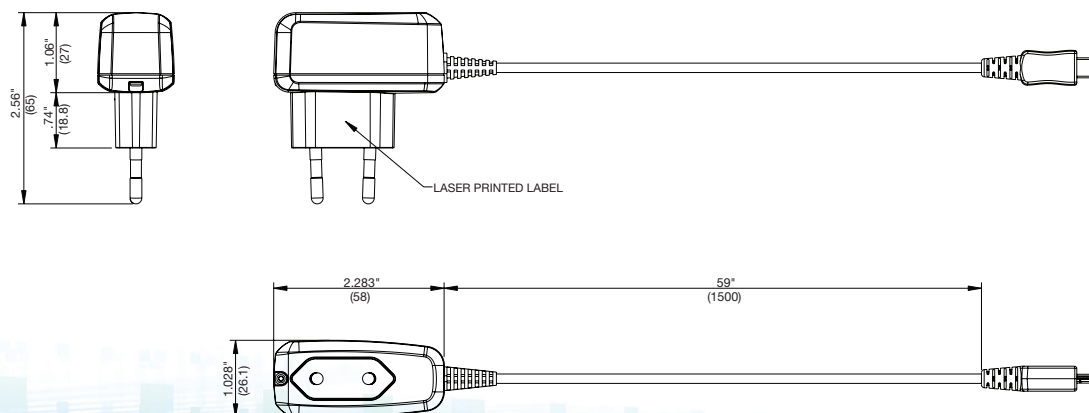
1. Peak-to-peak with 20 mHz bandwidth and 10  $\mu$ F (tantalum capacitor) in parallel with a 0.1  $\mu$ F capacitor at rated line voltage and load ranges.
2. Output should not be grounded for EMI purpose.

### Mechanical Drawing

#### DCH3-050US - 0005 & 0006

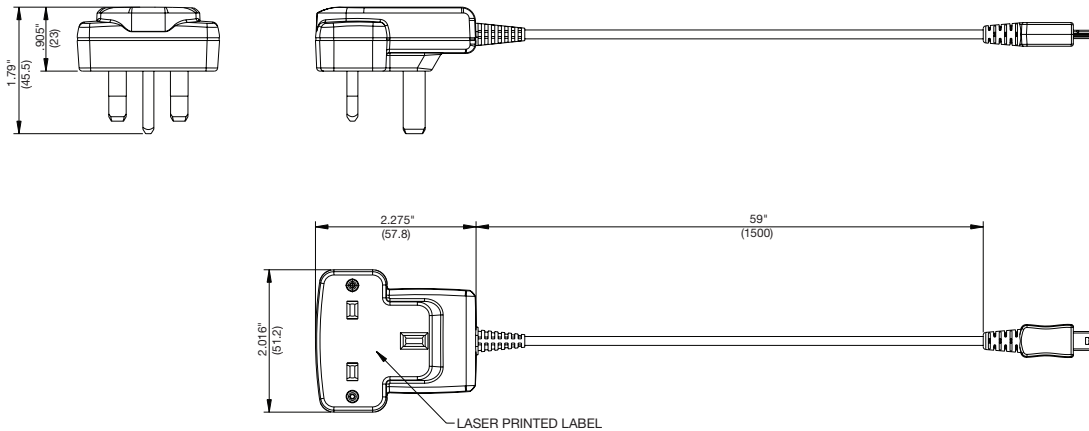


#### DCH3-050EU - 0005 & -0006

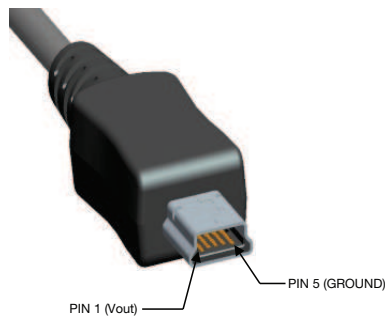


## Mechanical Drawing

### DCH3-050UK - 0005 & - 0006



## Pin Assignments



Notes:

1. Specifications subject to change without notice.
2. All dimensions in inches (mm), tolerance is  $\pm .02$ ".
3. Warranty: 2 years
4. Weight: 0.144 lb./0.066kg.

## WORLDWIDE OFFICES

### Americas

2900 S.Diablo Way  
 Tempe, AZ 85282  
 USA  
 +1 888 412 7832

### Europe (UK)

Waterfront Business Park  
 Merry Hill, Dudley  
 West Midlands, DY5 1LX  
 United Kingdom  
 +44 (0) 1384 842 211

### Asia (HK)

14/F, Lu Plaza  
 2 Wing Yip Street  
 Kwun Tong, Kowloon  
 Hong Kong  
 +852 2176 3333

**ARTESYN**<sup>TM</sup>  
 EMBEDDED TECHNOLOGIES

[www.artesyn.com](http://www.artesyn.com)

While every precaution has been taken to ensure accuracy and completeness in this literature, Artesyn Embedded Technologies assumes no responsibility, and disclaims all liability for damages resulting from use of this information or for any errors or omissions. Artesyn Embedded Technologies, Artesyn and the Artesyn Embedded Technologies logo are trademarks and service marks of Artesyn Embedded Technologies, Inc. All other names and logos referred to are trade names, trademarks, or registered trademarks of their respective owners.  
 © 2014 Artesyn Embedded Technologies, Inc.

For more information: [www.artesyn.com/power](http://www.artesyn.com/power)  
 For support: [productsupport.ep@artesyn.com](mailto:productsupport.ep@artesyn.com)