



Chipsmall Limited consists of a professional team with an average of over 10 year of expertise in the distribution of electronic components. Based in Hongkong, we have already established firm and mutual-benefit business relationships with customers from,Europe,America and south Asia,supplying obsolete and hard-to-find components to meet their specific needs.

With the principle of "Quality Parts,Customers Priority,Honest Operation,and Considerate Service",our business mainly focus on the distribution of electronic components. Line cards we deal with include Microchip,ALPS,ROHM,Xilinx,Pulse,ON,Everlight and Freescale. Main products comprise IC,Modules,Potentiometer,IC Socket,Relay,Connector.Our parts cover such applications as commercial,industrial, and automotives areas.

We are looking forward to setting up business relationship with you and hope to provide you with the best service and solution. Let us make a better world for our industry!



Contact us

Tel: +86-755-8981 8866 Fax: +86-755-8427 6832

Email & Skype: info@chipsmall.com Web: www.chipsmall.com

Address: A1208, Overseas Decoration Building, #122 Zhenhua RD., Futian, Shenzhen, China



DCH5 Series

5 Watts

Data Sheet

Total Power: 5 Watts
Input Voltage: 100 - 240 Vac
of Outputs: Single

SPECIAL FEATURES

- USB Switching wallmount power supply
- Universal AC input
- Available in various country AC plugs
- CE Mark EMC & LVD & ErP 2011
- Regulated output
- Overload and short circuit protection
- Constant voltage, constant current
- Energy Star Efficiency Level V
- Eup compliant
- Built in EMI filter (CISPR 22 Class B)
- Cable less with - USB-A receptacle

SAFETY

- UL + cUL 60950-1
- TUV 60950-1
- NEMKO 60950-1
- NSW 60950-1
- C-Tick 60950-1
- CE EMC & LVD & ErP 2011 for EU & UK versions



Electrical Specifications

Input	
Input range:	100 - 240 Vac (wide range)
Frequency:	47 - 63 Hz
EMI/RFI:	FCC Part 15, Subpart B Class B & EN55022 (CISPR 22) Class B & EMC
Safety ground leakage current:	20 μ A @ 60 Hz, 264 Vac input
Output	
Voltage (Vo):	5 V (4.75 - 5.25 V)
Maximum Power (Po):	5 W
Hold-up time:	10 ms. typical at full load @ 115 Vac/60 Hz
Overvoltage protection:	7 V max. Latching type
Overload protection:	Output short circuit protection auto recover Overload protected 110 - 150% above maximum rating
Output:	USB Type A receptacle
Connector Pinout:	Pin 1: +V, Pin 2 and Pin 3 connected together Pin 4: Ground

Environmental Specifications

Operating temperature:	0° to 40 °C ambient
Storage temperature:	-20 °C to +70 °C
Electromagnetic susceptibility:	Designed to meet EN55082-1
Humidity:	Operating; non-condensing 20% to 90% RH
Vibration:	Per IEC 60068-2-6

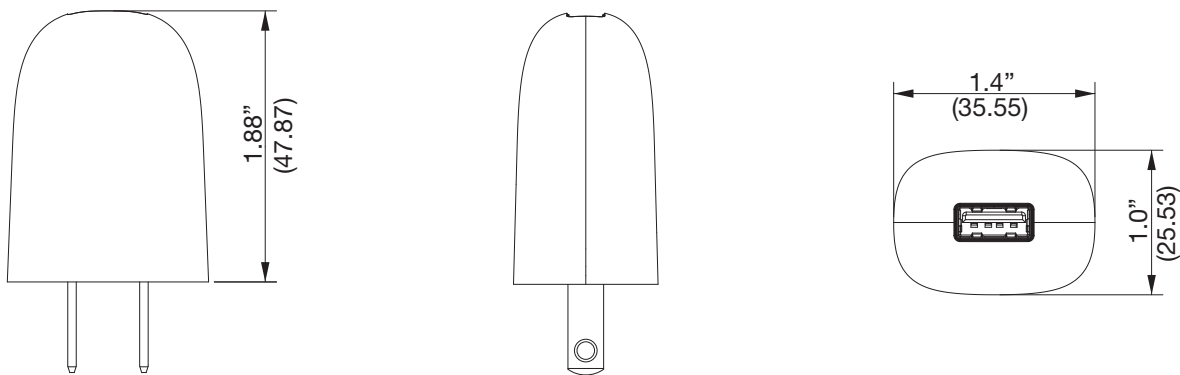
Ordering Information

Model Number	Maximum Power	Output Voltage	Minimum Load	Maximum Load	Ripple P/P (PARD) ¹	Connector
DCH5-050US	5 W	5 V	0	1 A	200 mV	USB-A
DCH5-050EU	5 W	5 V	0	1 A	200 mV	USB-A
DCH5-050UK	5 W	5 V	0	1 A	200 mV	USB-A
DCH5-050AU	5 W	5 V	0	1 A	200 mV	USB-A

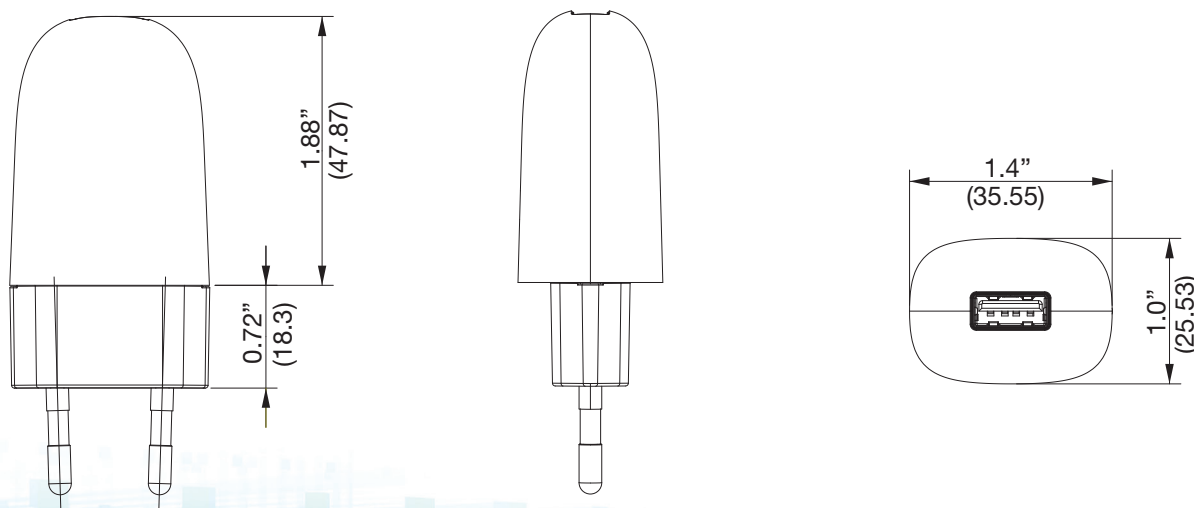
1. Peak-to-peak with 20 mHz bandwidth and 10 μ F (tantalum capacitor) in parallel with a 0.1 μ F capacitor at rated line voltage and load ranges.
2. Output should not be grounded for EMI purpose.

Mechanical Drawing

DCH5-050US

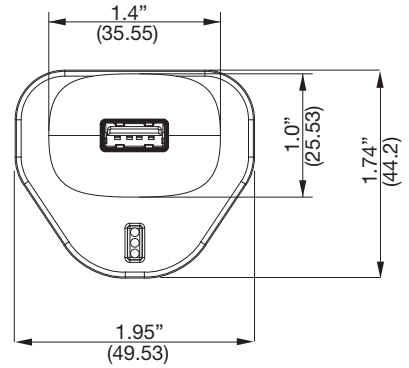
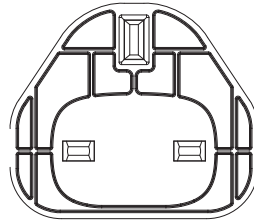
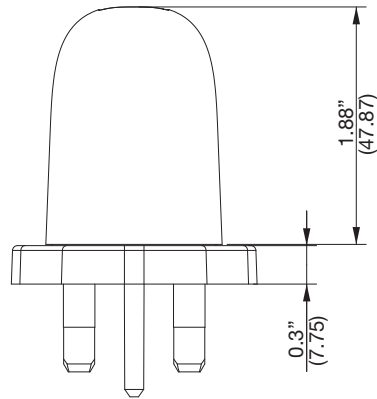


DCH5-050EU

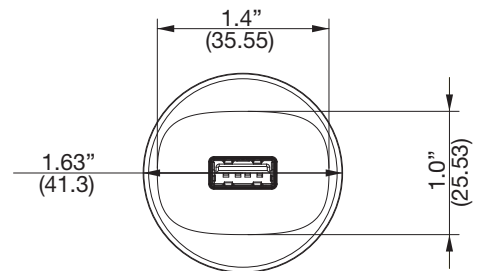
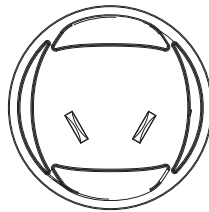
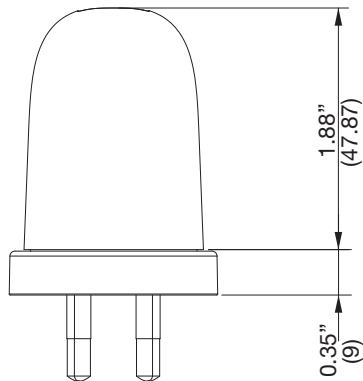


Mechanical Drawing

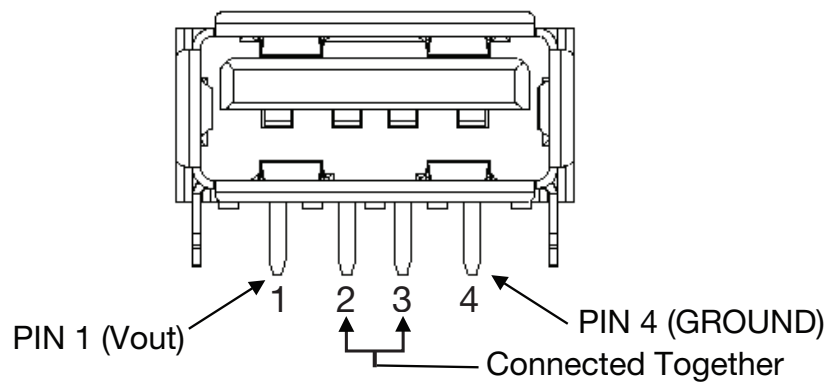
DCH5-050UK



DCH5-050AU



Pin Assignments



Pin Numbers

Notes:

1. Specifications subject to change without notice.
2. All dimensions in inches (mm), tolerance is $\pm .02$ ".
3. Warranty: 2 years
4. Weight: 0.144 lb./0.066kg.

WORLDWIDE OFFICES

Americas

2900 S.Diablo Way
Tempe, AZ 85282
USA
+1 888 412 7832

Europe (UK)

Waterfront Business Park
Merry Hill, Dudley
West Midlands, DY5 1LX
United Kingdom
+44 (0) 1384 842 211

Asia (HK)

14/F, Lu Plaza
2 Wing Yip Street
Kwun Tong, Kowloon
Hong Kong
+852 2176 3333

ARTESYN[™]
EMBEDDED TECHNOLOGIES

www.artesyn.com

While every precaution has been taken to ensure accuracy and completeness in this literature, Artesyn Embedded Technologies assumes no responsibility, and disclaims all liability for damages resulting from use of this information or for any errors or omissions. Artesyn Embedded Technologies, Artesyn and the Artesyn Embedded Technologies logo are trademarks and service marks of Artesyn Embedded Technologies, Inc. All other names and logos referred to are trade names, trademarks, or registered trademarks of their respective owners.
© 2014 Artesyn Embedded Technologies, Inc.

For more information: www.artesyn.com/power
For support: productsupport.ep@artesyn.com