



Chipsmall Limited consists of a professional team with an average of over 10 year of expertise in the distribution of electronic components. Based in Hongkong, we have already established firm and mutual-benefit business relationships with customers from,Europe,America and south Asia,supplying obsolete and hard-to-find components to meet their specific needs.

With the principle of “Quality Parts,Customers Priority,Honest Operation,and Considerate Service”,our business mainly focus on the distribution of electronic components. Line cards we deal with include Microchip,ALPS,ROHM,Xilinx,Pulse,ON,Everlight and Freescale. Main products comprise IC,Modules,Potentiometer,IC Socket,Relay,Connector.Our parts cover such applications as commercial,industrial, and automotives areas.

We are looking forward to setting up business relationship with you and hope to provide you with the best service and solution. Let us make a better world for our industry!



## Contact us

Tel: +86-755-8981 8866 Fax: +86-755-8427 6832

Email & Skype: info@chipsmall.com Web: www.chipsmall.com

Address: A1208, Overseas Decoration Building, #122 Zhenhua RD., Futian, Shenzhen, China

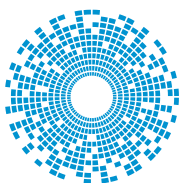




## High Temperature Dura-Con™ Micro-D 175°C Plug and PCB Connectors

High reliability connectors for military, oil and gas applications

Our product engineering and development activities employ cutting edge technologies, and our various technologies and expertise enable us to deliver the right solutions and products to meet your application needs.



**cinch**  
CONNECTIVITY SOLUTIONS  
a bel group

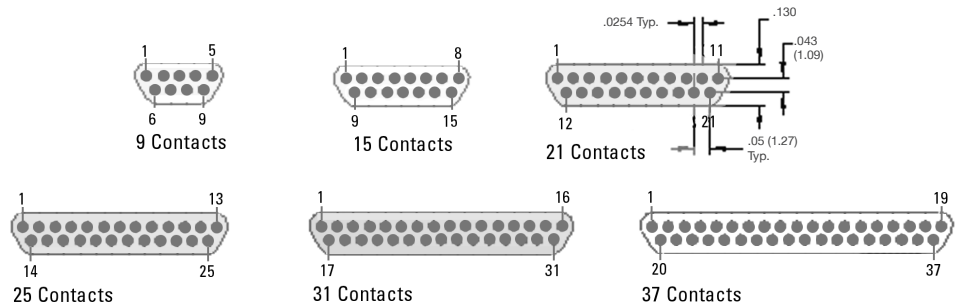
# Dura-Con™ DCHM Solder Cup with Wire

No. of Contacts		A Max.		B Max.		C Max.		D Nominal	
		In.	mm.	in.	mm.	in.	mm.	in.	mm.
9	Plug	0.785	19.94	0.334	8.48	0.400	10.16	0.565	14.35
	Socket	0.785	19.94	0.397	10.08	0.400	10.16	0.565	14.35
15	Plug	0.935	23.74	0.484	12.29	0.550	13.97	0.715	18.16
	Socket	0.935	23.74	0.547	13.89	0.550	13.97	0.715	18.16
21	Plug	1.085	27.56	0.634	16.10	0.700	17.78	0.865	21.97
	Socket	1.085	27.56	0.697	17.70	0.700	17.78	0.865	21.97
25	Plug	1.185	30.10	0.734	18.64	0.800	20.32	0.965	24.51
	Socket	1.185	30.10	0.797	20.24	0.800	20.32	0.965	24.51
31	Plug	1.335	33.97	0.884	22.45	0.950	24.13	1.115	28.32
	Socket	1.335	33.97	0.947	24.05	0.950	24.13	1.115	28.32
37	Plug	1.485	37.72	1.034	26.26	1.100	27.94	1.265	32.13
	Socket	1.485	37.72	1.097	27.86	1.100	27.94	1.265	32.13

## Contact Arrangements

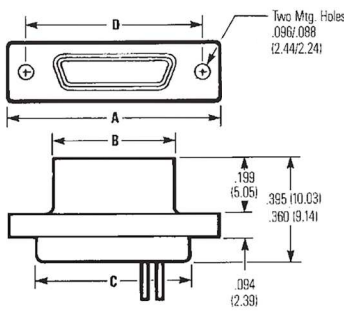
### Face View of Pin Insert

(use reverse order for socket side)

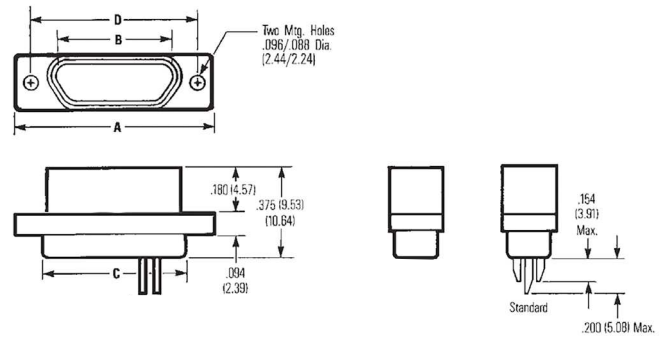


## Shell Dimensions

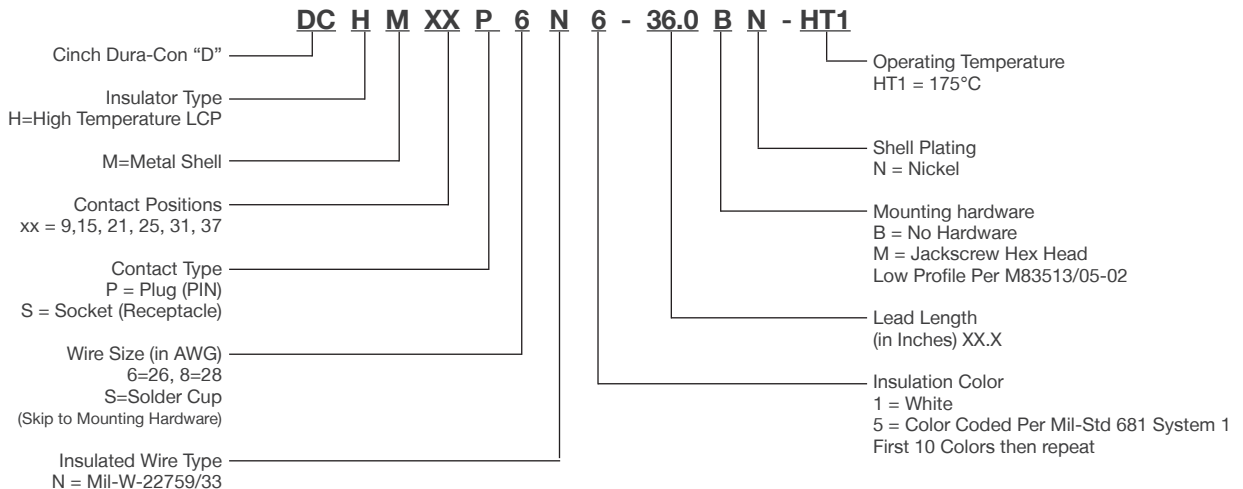
### Plug



### Socket



## How to Order



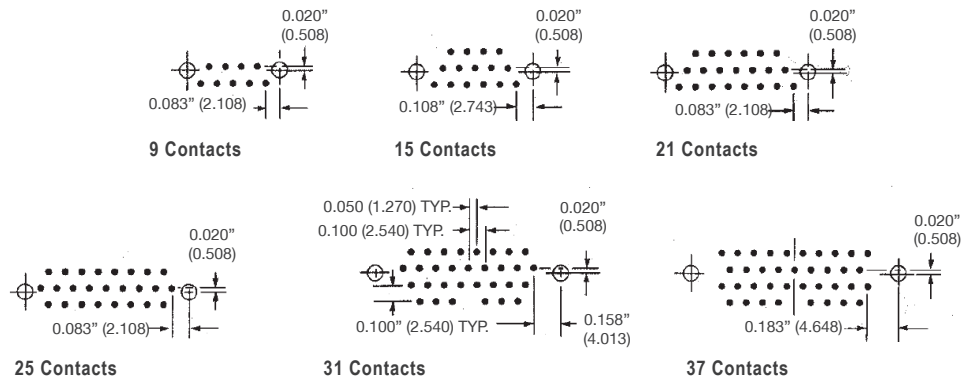
# Dura-Con™ DCHM PCB Sockets

No. of Contacts	A Max.		B		C		D Max.	
	In.	mm.	in.	mm.	in.	mm.	in.	mm.
9 Socket	0.785	19.940	0.565	14.350	0.230	5.840	0.420	10.670
15 Socket	0.935	23.750	0.715	18.160	0.130	3.300	0.420	10.670
21 Socket	1.085	27.560	0.865	21.970	0.130	3.300	0.420	10.670
25 Socket	1.185	30.100	0.965	24.510	0.130	3.300	0.420	10.670
31 Socket	1.335	33.910	1.115	28.320	0.130	3.300	0.520	13.210
37 Socket	1.485	37.720	1.265	32.130	0.130	3.300	0.520	13.210

## Termination Arrangements

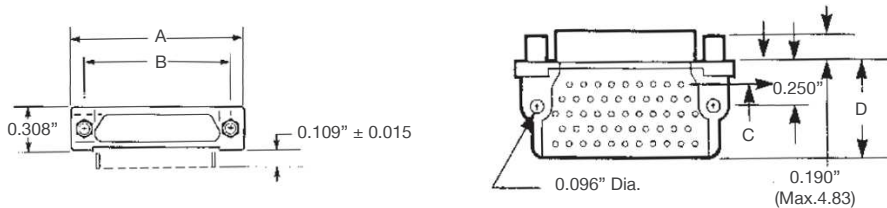
Per MIL-DTL-83513

(as viewed from bottom of terminal block)

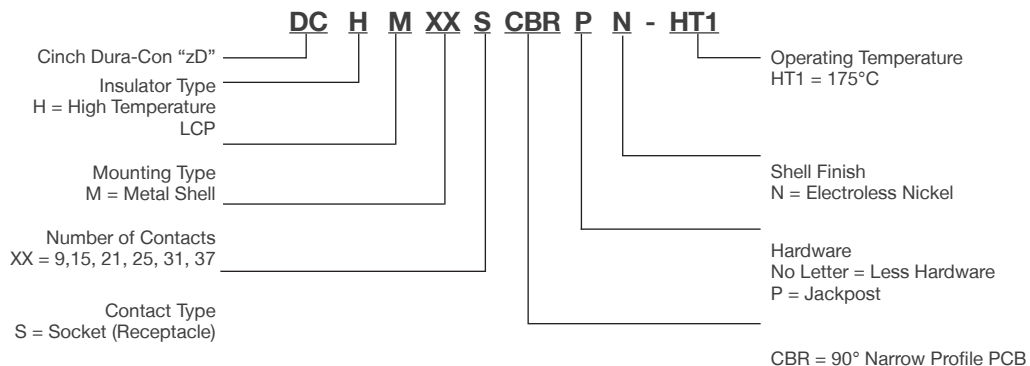


## Shell Dimensions

90° Narrow Termination Socket



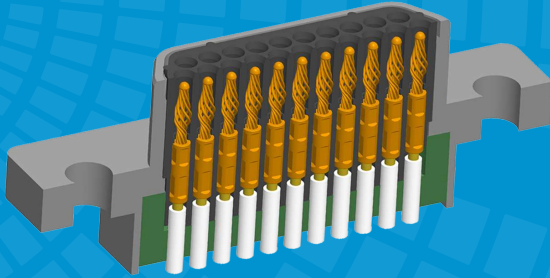
## How to Order



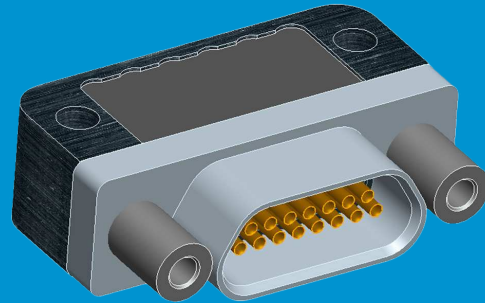
# Connection Technology

Our DCHM Dura-Con™ products are capable of meeting the extreme mechanical and electrical needs in the harshest environments of military/aerospace and industrial applications, such as downhole drilling. Cinch has teamed our proven twist pin technology with unique plug insulators that provide increased electrical protection between cavities.

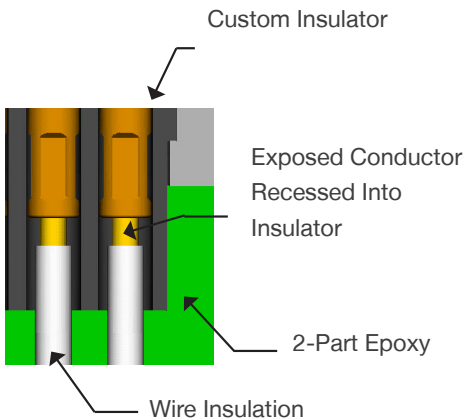
These plugs mate to our right angle PCB socket connectors, to make a connector system that offers superior performance. This technology also provides the confidence and reliability needed in high temperature, vibration and shock applications.



Dura-Con™ Plug (pin)



Dura-Con™ PCB Connector (socket)



Detail of Dura-Con™ Twist Pin

## Product Offerings

- Sizes: 9, 15, 21, 25, 31 and 37 (contact factory for larger sizes).
- Full harnessing capabilities ranging from simple point-point to complex with many branches
- Custom configurations and modifications available to fit unique packaging and design requirements

## Performance Characteristics

- Operating Temperature: -55°C to 175°C
- Shock: 50 G's per MIL-STD-1344, Method 2004, Condition E (EIA-364-27, Condition E)
- Vibration: 20 G's per MIL-STD-1344, Method 2005, Condition IV (EIA-364-28, Condition IV)

## Cinch's Twist Pin Advantage

- Combine the twist pin performance with increased temperature range
- BeCu wire strands provide seven points of electrical contact
- Achieve high mating cycles and better resistance to shock and vibration
- Approved system applications (Aerospace, Defense and Geo-Thermal)
- Qualified and approved to Mil-DTL-83513



+1 630.705.7524  
inquiry@us.cinch.com  
[cinch.com](http://cinch.com)