



Chipsmall Limited consists of a professional team with an average of over 10 year of expertise in the distribution of electronic components. Based in Hongkong, we have already established firm and mutual-benefit business relationships with customers from,Europe,America and south Asia,supplying obsolete and hard-to-find components to meet their specific needs.

With the principle of "Quality Parts,Customers Priority,Honest Operation,and Considerate Service",our business mainly focus on the distribution of electronic components. Line cards we deal with include Microchip,ALPS,ROHM,Xilinx,Pulse,ON,Everlight and Freescale. Main products comprise IC,Modules,Potentiometer,IC Socket,Relay,Connector.Our parts cover such applications as commercial,industrial, and automotives areas.

We are looking forward to setting up business relationship with you and hope to provide you with the best service and solution. Let us make a better world for our industry!



Contact us

Tel: +86-755-8981 8866 Fax: +86-755-8427 6832

Email & Skype: info@chipsmall.com Web: www.chipsmall.com

Address: A1208, Overseas Decoration Building, #122 Zhenhua RD., Futian, Shenzhen, China



REFERENCE SPECIFICATIONS

-NFC 93425 (in compliance with HE 507)

PHYSICAL CHARACTERISTICS

-INSULATOR MATERIAL: THERMOPLASTIC .UL94V0

-ACCESSORIES: BRASS

-SHELLS: STEEL

ELECTRICAL CHARACTERISTICS

-CONTACT/CONTACT : >=1000 V

-CONTACT/GROUND : >=1200 V

-INSULATION RESISTANCE: >=5000 MOhms

ENVIRONMENTAL CHARACTERISTICS

- CLIMATIC CATEGORY: 55/125/21

TEMPERATURE RANGE -55°C TO +125°C

DAMP HEAT STEADY STATE 21 DAYS

SALT SPRAY 24 HOURS

MECHANICAL CHARACTERISTICS

- RETENTION AGAINST TORQUE: - Threaded insert: 0.7 N.m minimum

- Female screw : 0.5 N.m minimum

Series ← DBLSW5PA00LF

Shell size: E A B C
see sheet 2

Front accessory definition
see sheet 2

Blank : Without accessory

L : Threaded insert M3

O : Threaded insert UNC 4-40

V : Female screw UNC 4-40

Layout of contacts (see sheet 3)

Contacts ←

P :Pin

PCB accessory definition ←

A without accessory on PCB

Power contacts ←

00 without power contact

See note RoHS

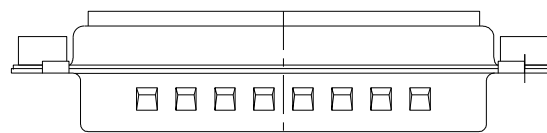
NOTE RoHS INFORMATION

- The "LF" products meet european union Directives and other country regulations as described in GS-22-008.

- Shell plating :2 to 4 μm Cu + Ni + 3 to 10 μmm Sn(pure bright)

- Accessories: Sn pure bright + nickel

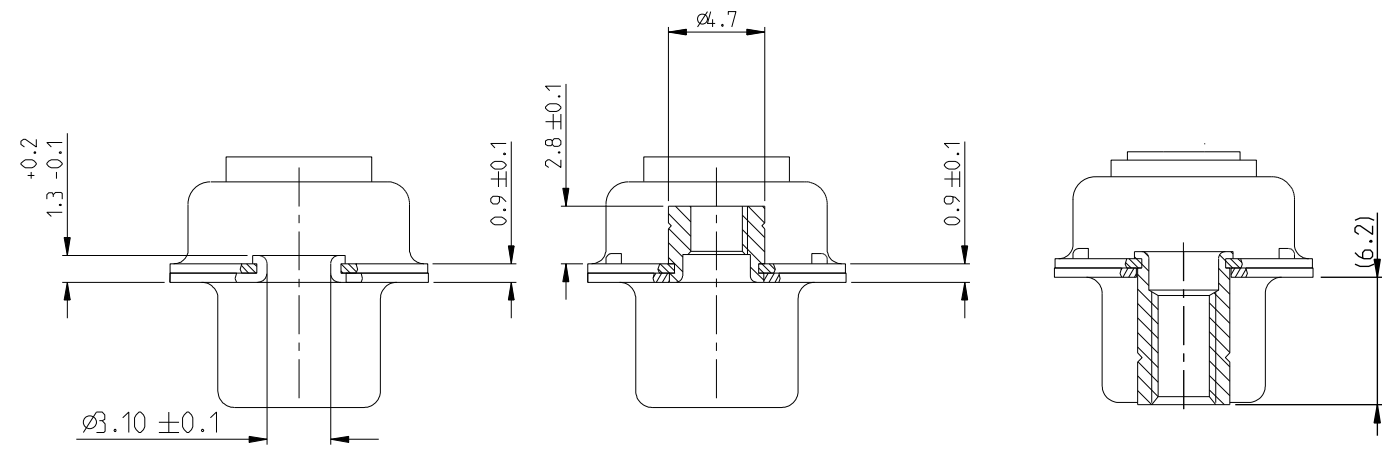
- Packaging spec: See GS-14-920



rev	ecn no	dr	date
A	LS05-0113	MPE	2005-11-28
B	LS06-0208	LGO	2006-12-13
C	LS07-0273	MPE	2007-11-05
D	F09-0076	LSA	2009-08-20
E	F10-0017	LSA	2010-03-10
-	-	-	-
-	-	-	-

www.fciconnect.com		Surface ISO 1302	tolerance std ISO 406 ISO 1101	projection ⊕	mm
TOLERANCES UNLESS OTHERWISE SPECIFIED					
Dr	M PESSON	2005-10-11	0.x	±0.3	size A2
Eng	P LEGARE	2005-10-11	0.xx	±0.1	Scale 2:1
Chr			0.xxx	±0.05	ECN F09-0076
Appr			Product family - Spec ref		
title SUB MALE DW		dwg no C01-8639-2315		Rev. E	
full power without contact		CUSTOMER		sheet 1 of 4	
catalog no					

Copyright FCI. FCI



FRONT ACCESSORY	Blank without	L insert M3 O insert UNC 4.40	V Female screw UNC 4-40
PCB ACCESSORIES	A without	A without	A without

PART NUMBER	FRONT ACCESSORY	PCB ACCESSORY
D*xW xPA00LF	WITHOUT	WITHOUT
D*VxW xPA00LF	Female screw UNC 4-40	WITHOUT
D*LxW xPA00LF	Insert M3	WITHOUT
D*OxW xPA00LF	Insert UNC 4-40	WITHOUT

shell size	LAYOUTS
*	xW x
E	2V2
A	3V3
A	3W3
B	5W5
C	8W8

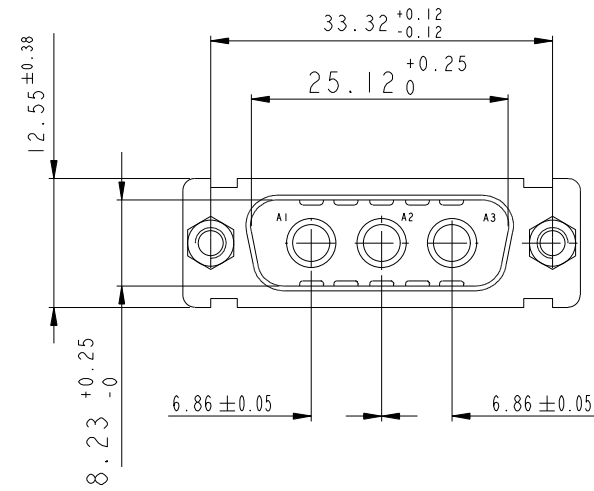
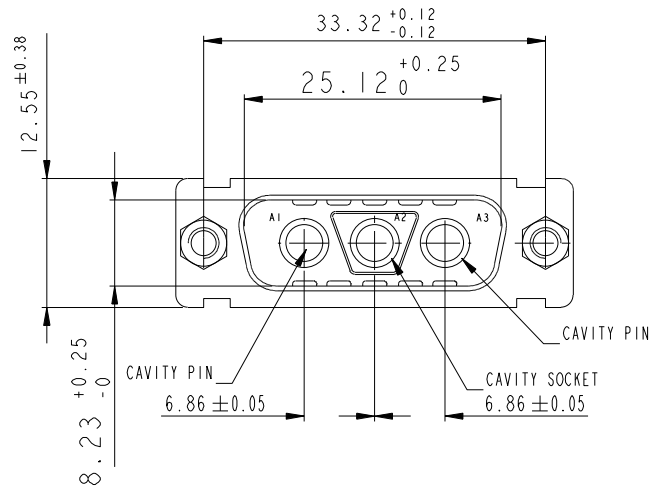
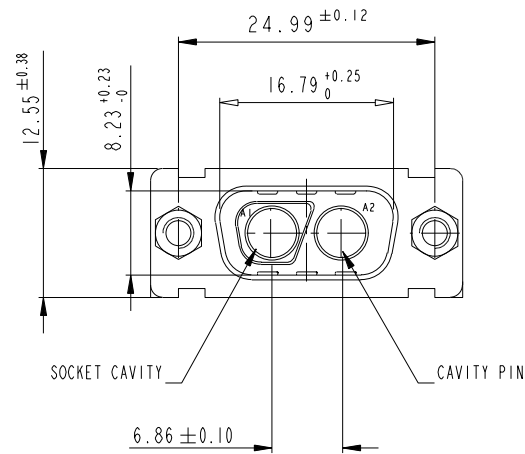
Copyright FCI. FCI

www.fciconnect.com		Surface ISO 1302	tolerance std ISO 406 ISO 1101	projection ⊕	mm
TOLERANCES UNLESS OTHERWISE SPECIFIED					
Dr	M PESSON	2005-10-11	ANGULAR	LINEAR	size A2
Eng	P LEGARE	2005-10-11	0°	±2°	Scale 2:1
Chr			0.x	±0.3	ECN F09-0076
Appr			0.xx	±0.1	
			0.xxx	±0.05	
Product family				- Spec ref	
FCI		title SUB MALE DW		Rev. E	
		full power without contact		dwg no C01-8639-2315	
catalog no		CUSTOMER		sheet 2 of 4	

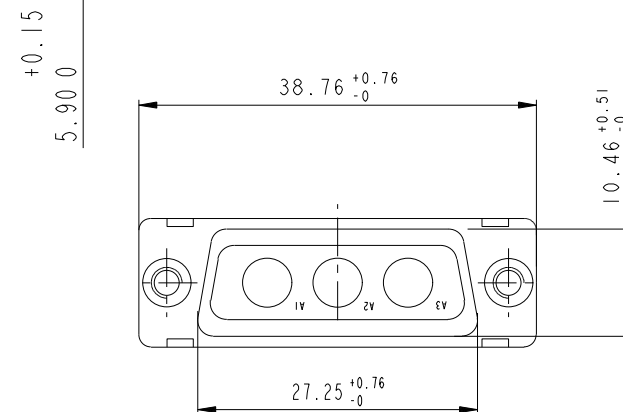
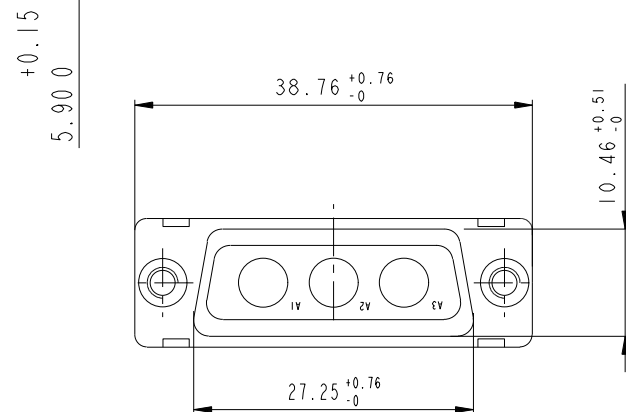
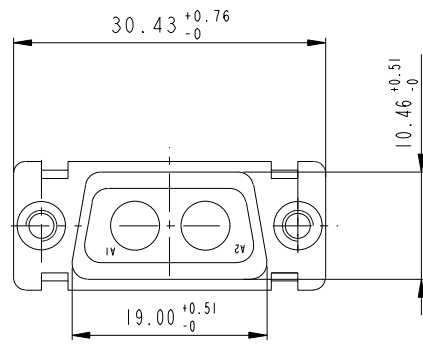
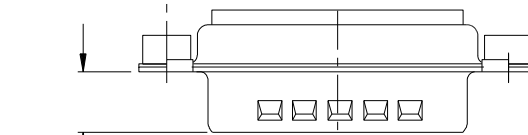
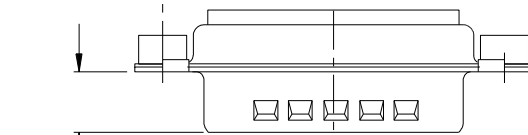
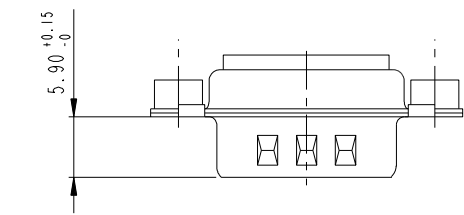
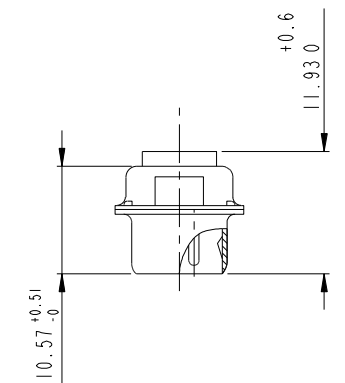
2V2

3V3

3W3



SIDE VIEW FOR LAYOUTS: E A B C

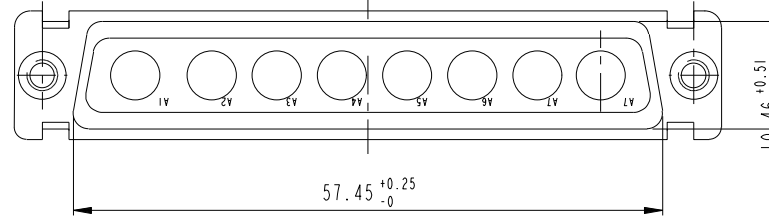
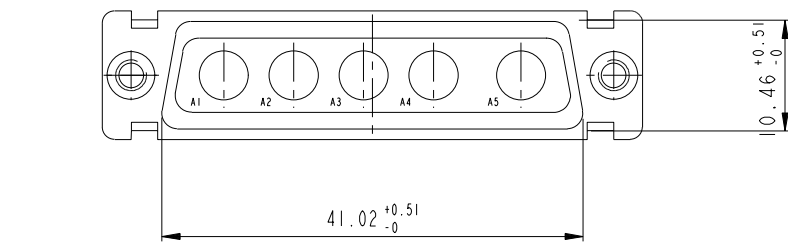
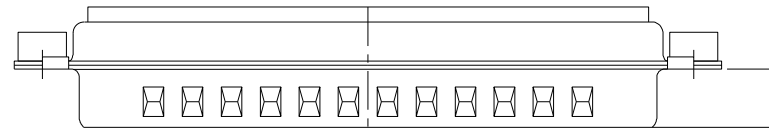
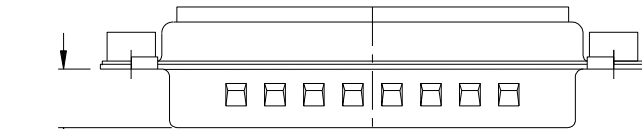
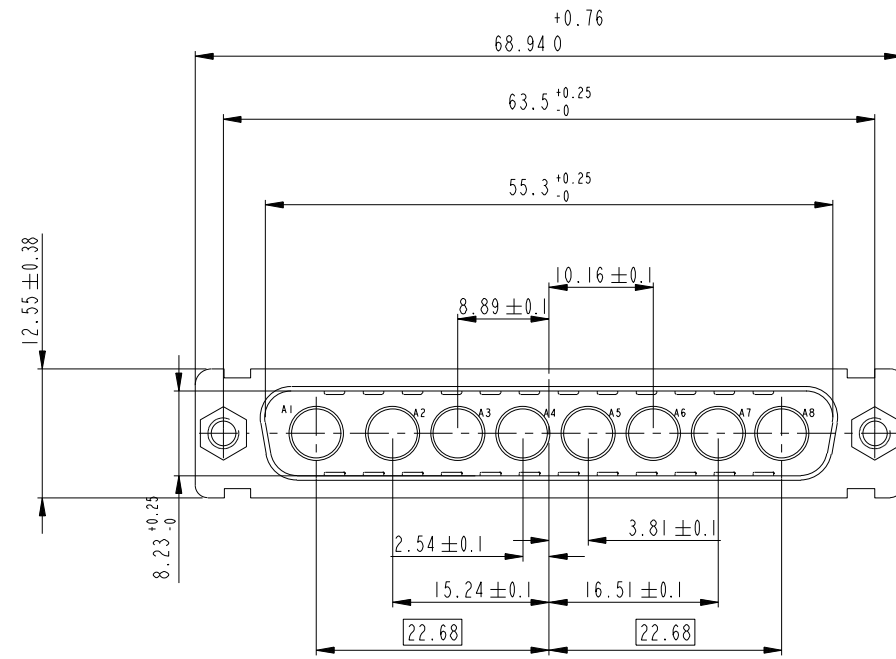
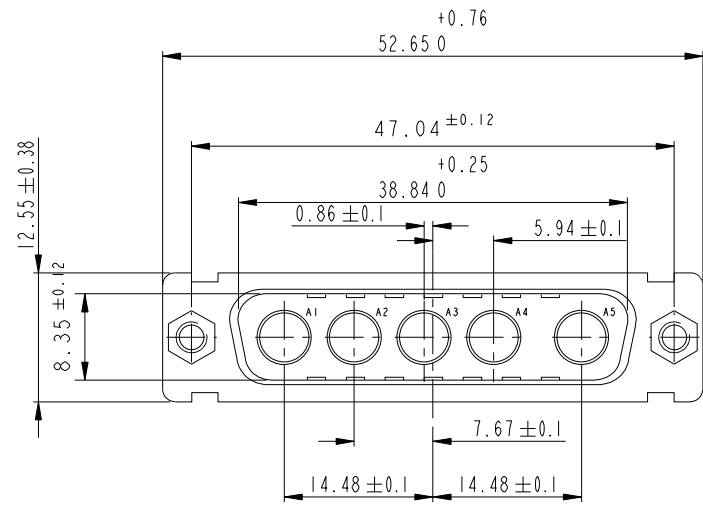


Copyright FCI. FCI

www.fciconnect.com		surface ISO 1302	tolerance std ISO 406 ISO 1101	projection mm
		TOLERANCES UNLESS OTHERWISE SPECIFIED		mm
Dr	M PESSON	2005-10-11	0.X ±0.3	size A2
Eng	P LEGARE	2005-10-11	ANGULAR 0.XX ±0.1	Scale 2:1
Chr			LINEAR 0.XXX ±0.05	ECN F09-0076
Appr			Product family	- Spec ref
FCI		SUB MALE DW		Rev. E
		full power without contact		dwg no C01-8639-2315
		catalog no		CUSTOMER sheet 3 of 4

5W5

8W8



www.fciconnect.com		surface ISO 1302	tolerance std ISO 406 ISO 1101	projection A2	mm
TOLERANCES UNLESS OTHERWISE SPECIFIED		ANGULAR	LINEAR	size	Scale
Dr	M PESSON	2005-10-11	0.X	±0.3	2:1
Eng	P LEGARE	2005-10-11	0.XX	±0.1	
Chr			0.XXX	±0.05	ECN F09-0076
Appr			Product family		Spec ref
FCI		Title		dwg no	Rev.
		SUB MALE DW		C01-8639-2315	E
		full power without contact		CUSTOMER	sheet 4 of 4
		catalog no			

Copyright FCI. FCI