



Chipsmall Limited consists of a professional team with an average of over 10 year of expertise in the distribution of electronic components. Based in Hongkong, we have already established firm and mutual-benefit business relationships with customers from,Europe,America and south Asia,supplying obsolete and hard-to-find components to meet their specific needs.

With the principle of “Quality Parts,Customers Priority,Honest Operation,and Considerate Service”,our business mainly focus on the distribution of electronic components. Line cards we deal with include Microchip,ALPS,ROHM,Xilinx,Pulse,ON,Everlight and Freescale. Main products comprise IC,Modules,Potentiometer,IC Socket,Relay,Connector.Our parts cover such applications as commercial,industrial, and automotives areas.

We are looking forward to setting up business relationship with you and hope to provide you with the best service and solution. Let us make a better world for our industry!



Contact us

Tel: +86-755-8981 8866 Fax: +86-755-8427 6832

Email & Skype: info@chipsmall.com Web: www.chipsmall.com

Address: A1208, Overseas Decoration Building, #122 Zhenhua RD., Futian, Shenzhen, China



REFERENCE SPECIFICATIONS

-NFC 93425 (in compliance with HE 507)

PHYSICAL CHARACTERISTICS

- INSULATOR MATERIAL: THERMOPLASTIC .UL94V0
- ACCESSORIES: BRASS
- SHELLS: STEEL

ELECTRICAL CHARACTERISTICS

- CONTACT/CONTACT : >=1000 V
- CONTACT/GROUND : >=1200 V
- INSULATION RESISTANCE: >=5000 MOhms

ENVIRONMENTAL CHARACTERISTICS

- CLIMATIC CATEGORY: 55/125/21
- TEMPERATURE RANGE -55°C TO +125°C
- DAMP HEAT STEADY STATE 21 DAYS
- SALT SPRAY 24 HOURS

MECHANICAL CHARACTERISTICS

- RETENTION AGAINST TORQUE:
 - Threaded insert: 0.7 N.m minimum
 - Female screw : 0.5 N.m minimum

NOTE RoHS INFORMATION

- The "LF" products meet european union Directives and other country regulations as described in GS-22-008.
- Shell plating :2 to 4 μm Cu+ Ni + 3 to 10 μm Sn(pure bright)
- Accessories: Sn pure bright + nickel
- Packaging spec: See GS-14-920

DBL5W5SA00LF

Series ←

Shell size: E A B C
see sheet 2

Front accessory definition
see sheet 2

- Blank :without accessory
- L : Threaded insert M3
- 0 : Threaded insert UNC 4-40
- V : Female screw UNC 4-40

Layout of contacts (see sheet 3) ←

Contacts ←

S :Socket

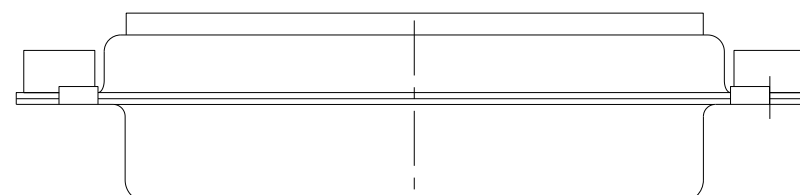
PCB accessory definition ←

A witout accessory on PCB

Power contacts ←

00 without power contact

See note RoHS



spec ref	dr	Pro Engineer 1	2015/06/16	projection	mm	size	A2	scale	2:1
tolerance std	eng	J Dalbard	2016/09/13			ecn no	ECN-ELXF-24942-1	rel level	Released
TOLERANCES UNLESS OTHERWISE SPECIFIED	chr	J Dalbard	2016/09/19						
	appr	Aymeric Soudy	2016/09/20						
surface	linear	0.X	±0.3	Amphenol FCI		SUB FEMALE DW		diag no	C01-8639-2311
		0.XX	±0.10			full power without contact		rev	E
	angular	0°	±2°			cat. no.		Product - Customer Drw	

FIRST ANGLE PROJECTION

B

C

Amphenol FCI

D

E

© 2016 AFCI

F

A

B

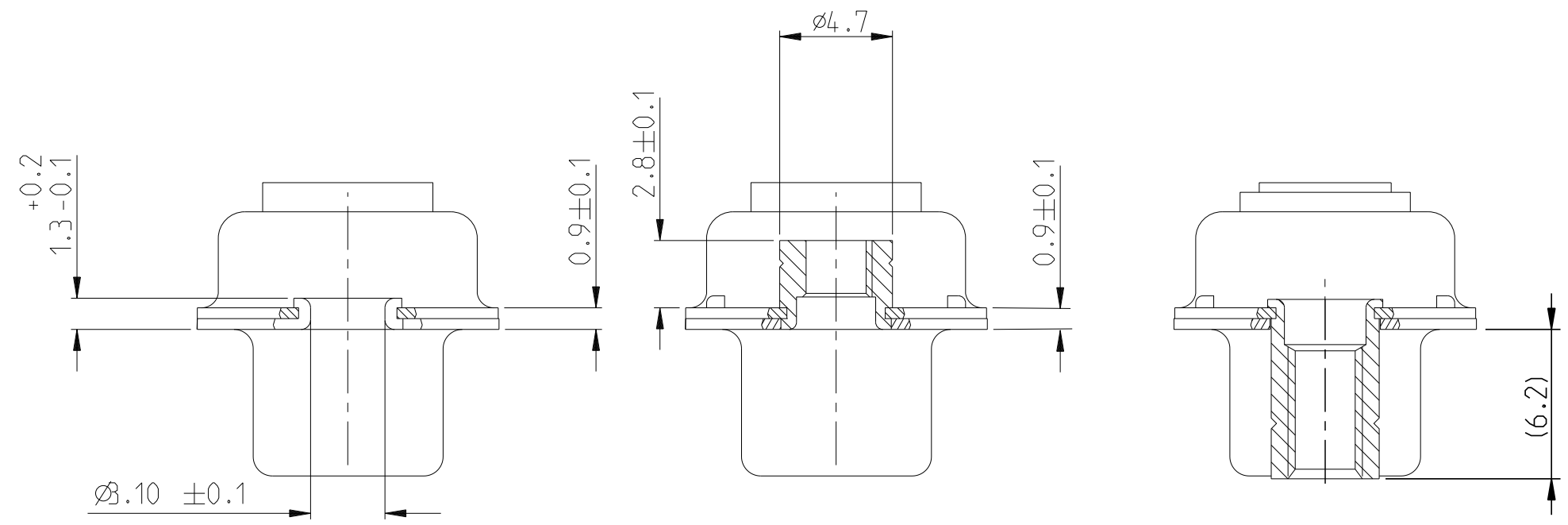
C

D

E

FIRST ANGLE PROJECTION

FIRST ANGLE PROJECTION



FRONT ACCESSORY	Blank without	L insert M3 O insert UNC 4.40	V Female screw UNC 4-40
PCB ACCESSORIES	A without	A without	A without

PART NUMBER	FRONT ACCESSORY	PCB ACCESSORY
D*xW xSA00LF	WITHOUT	WITHOUT
D*VxW xSA00LF	Female screw UNC 4-40	WITHOUT
D*LxW xSA00LF	Insert M3	WITHOUT
D*OxW xSA00LF	Insert UNC 4-40	WITHOUT

shell size LAYOUTS

E	2V2
A	3V3
A	3W3
B	5W5
C	8W8

SCALE:4

Amphenol
FCi

spec ref	dr Pro Engineer 1	2015/08/16	projection	mm	size A2	scale 2:1												
tolerance std	eng J Dalbard	2016/09/13			ecn no ECN-ELXF-24942-1	rel level Released												
TOLERANCES UNLESS OTHERWISE SPECIFIED	chr J Dalbard	2016/09/19																
	appr Aymeric Soudy	2016/09/20					product family											
surface				<table border="1"> <tr> <td>linear</td> <td>0.X</td> <td>±0.3</td> </tr> <tr> <td></td> <td>0.XX</td> <td>±0.10</td> </tr> <tr> <td></td> <td>0.XXX</td> <td>±0.05</td> </tr> <tr> <td>angular</td> <td>0°</td> <td>±2°</td> </tr> </table>	linear	0.X	±0.3		0.XX	±0.10		0.XXX	±0.05	angular	0°	±2°	Amphenol FCI SUB FEMALE DW full power without contact cat. no.	dwg no C01-8639-2311 rev E
linear	0.X	±0.3																
	0.XX	±0.10																
	0.XXX	±0.05																
angular	0°	±2°																
Product - Customer Drw				sheet 2 of 4														

PDS: Rev :E

STATUS:Released

Printed: Sep 28, 2016

© 2016 AFCI

FIRST ANGLE PROJECTION

Amphenol
FCI

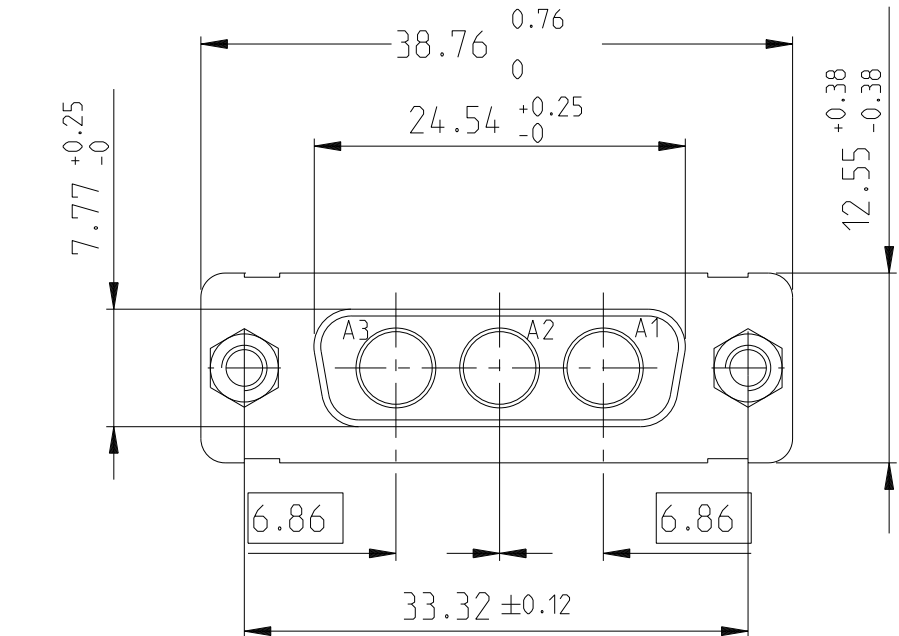
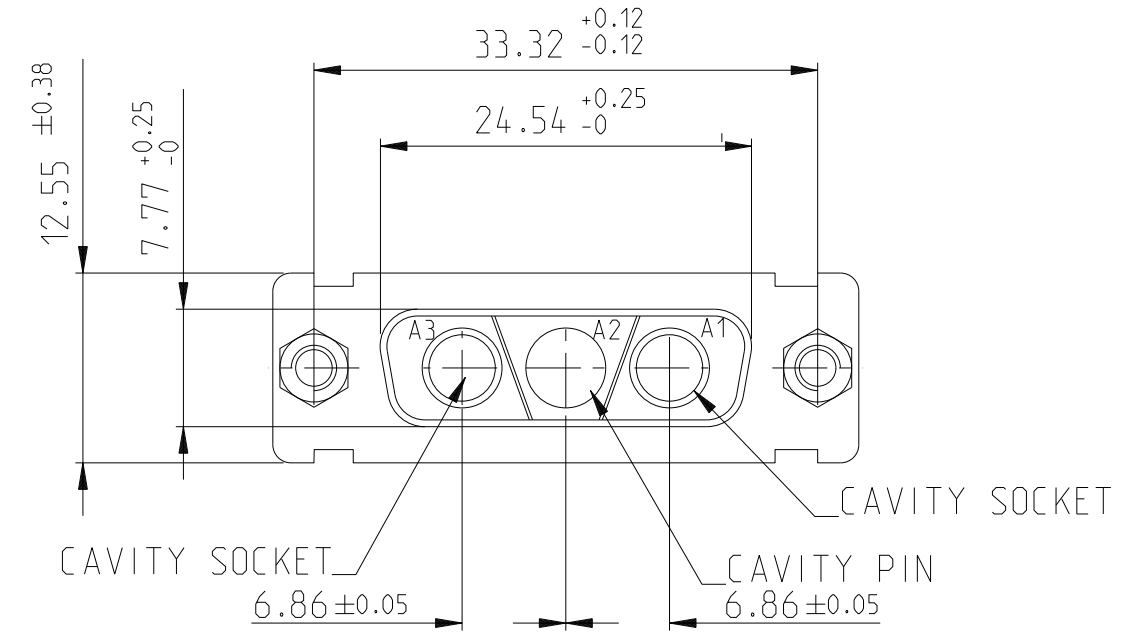
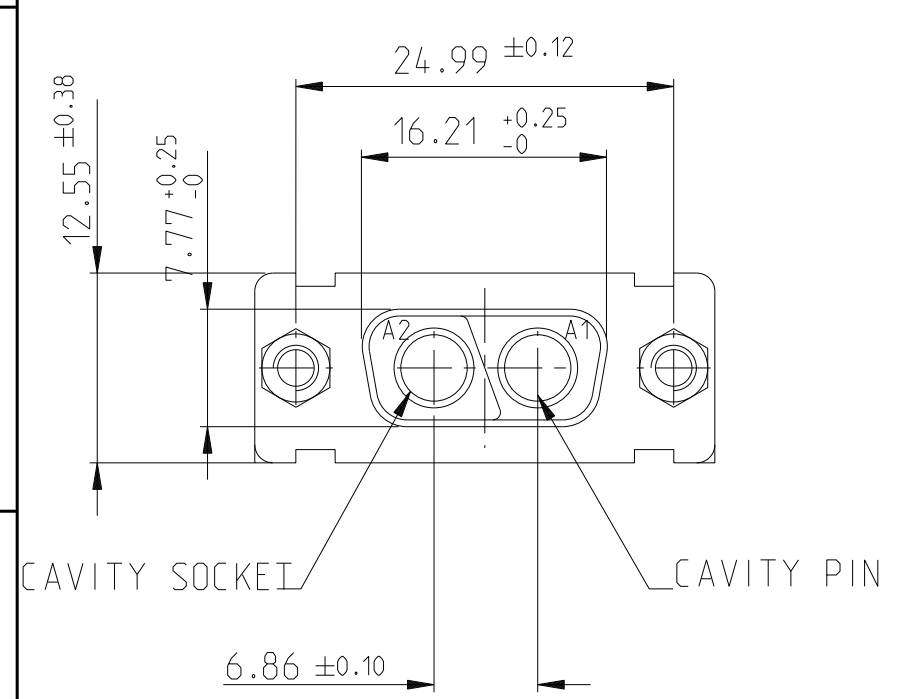
© 2016 AFCI

F

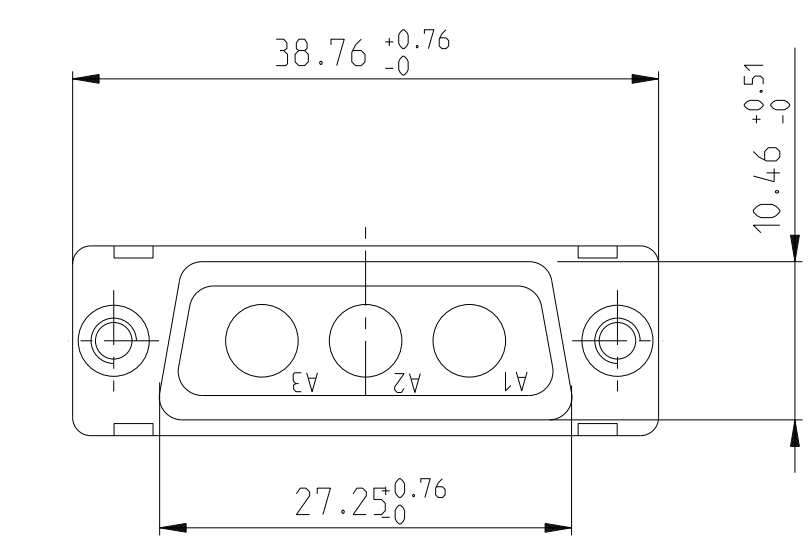
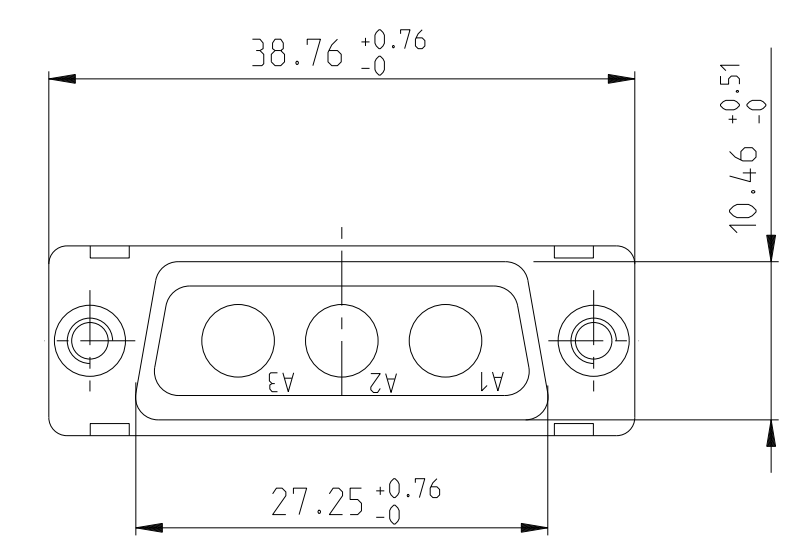
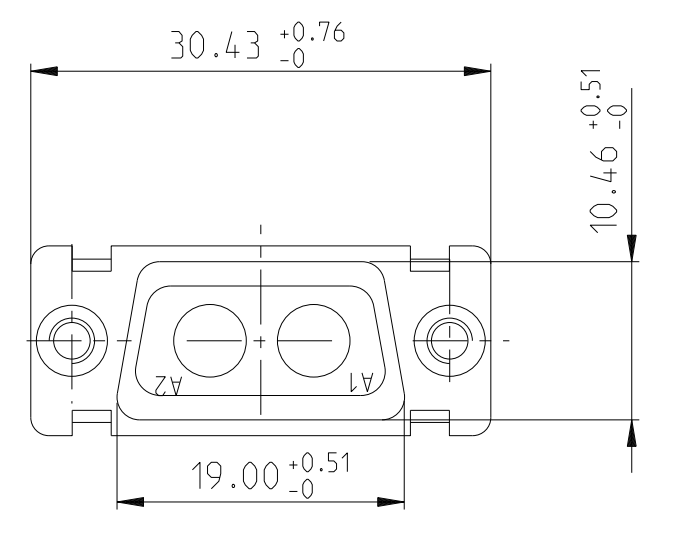
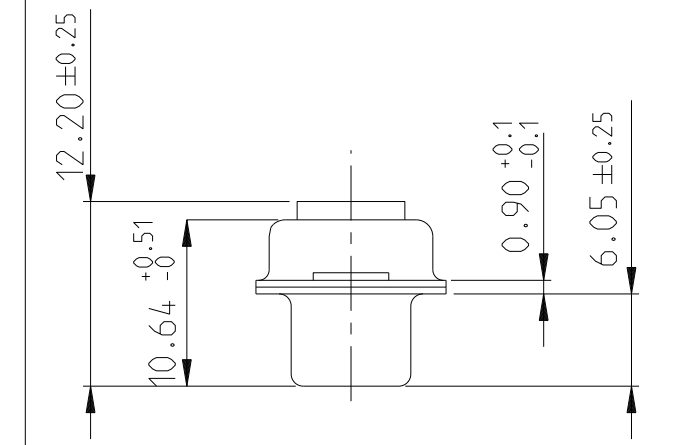
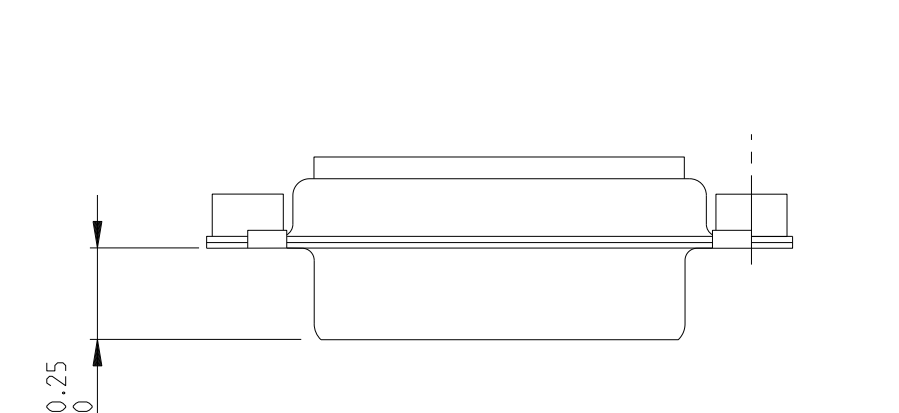
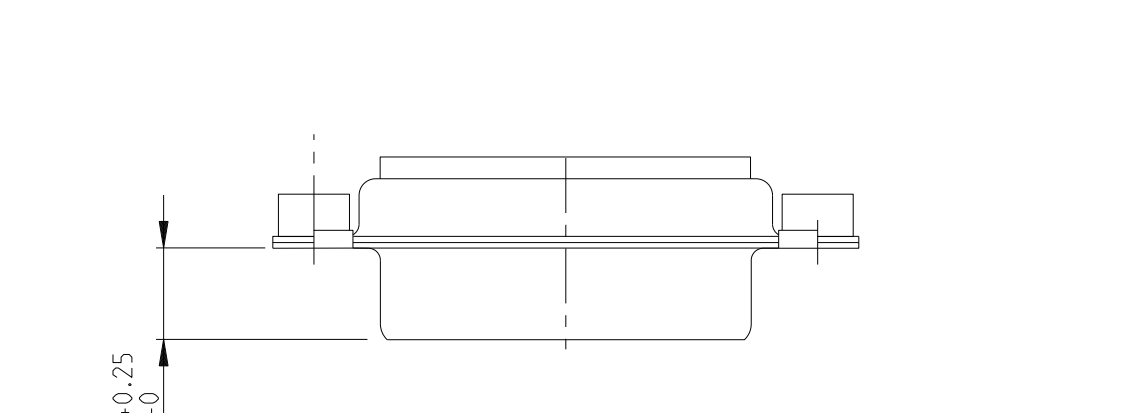
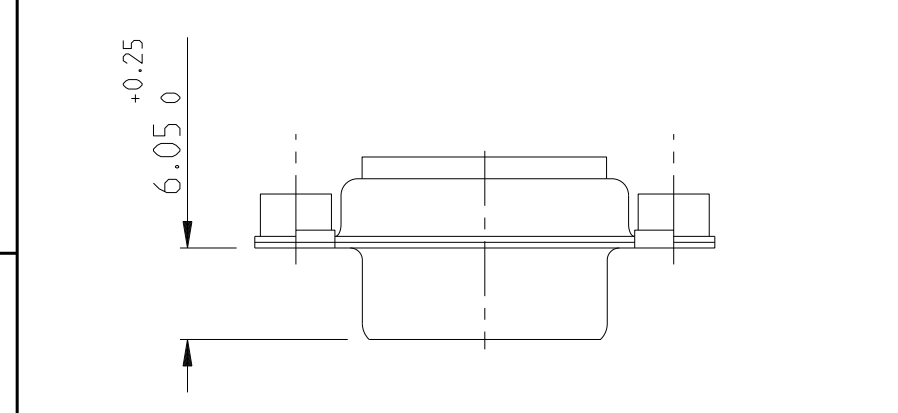
2V2

3V3

3W3



SIDE VIEW FOR LAYOUTS: E A B C



spec ref	dr	Pro Engineer 1	2015/06/16	projection	mm	size	A2	scale	2:1
tolerance std	eng	J Dalbard	2016/09/13		mm	ecn no	ECN-ELXF-24942-1	rel level	Released
TOLERANCES UNLESS OTHERWISE SPECIFIED	chr	J Dalbard	2016/09/19						
	appr	Aymeric Soudy	2016/09/20						
surface	linear	0.X	±0.3	product family	-	cat. no.	-	Product - Customer Drw	sheet 3 of 4
		0.XX	±0.10	Amphenol FCI	time	SUB FEMALE DW	dwg no	C01-8639-2311	rev
		0.XXX	±0.05			full power without contact			E
	angular	0°	±2°						

PDS: Rev :E

STATUS:Released

Printed: Sep 28, 2016

FIRST ANGLE PROJECTION

FIRST ANGLE PROJECTION

B

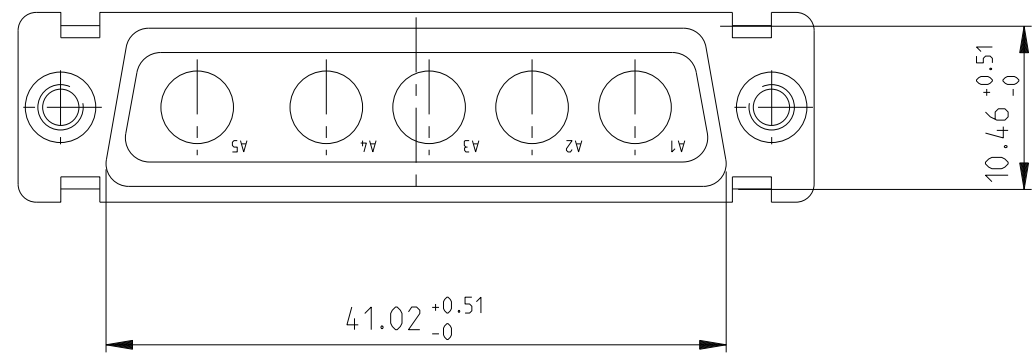
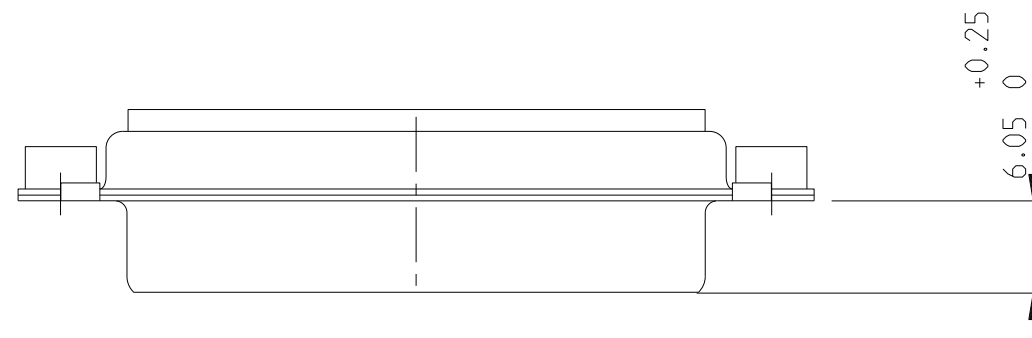
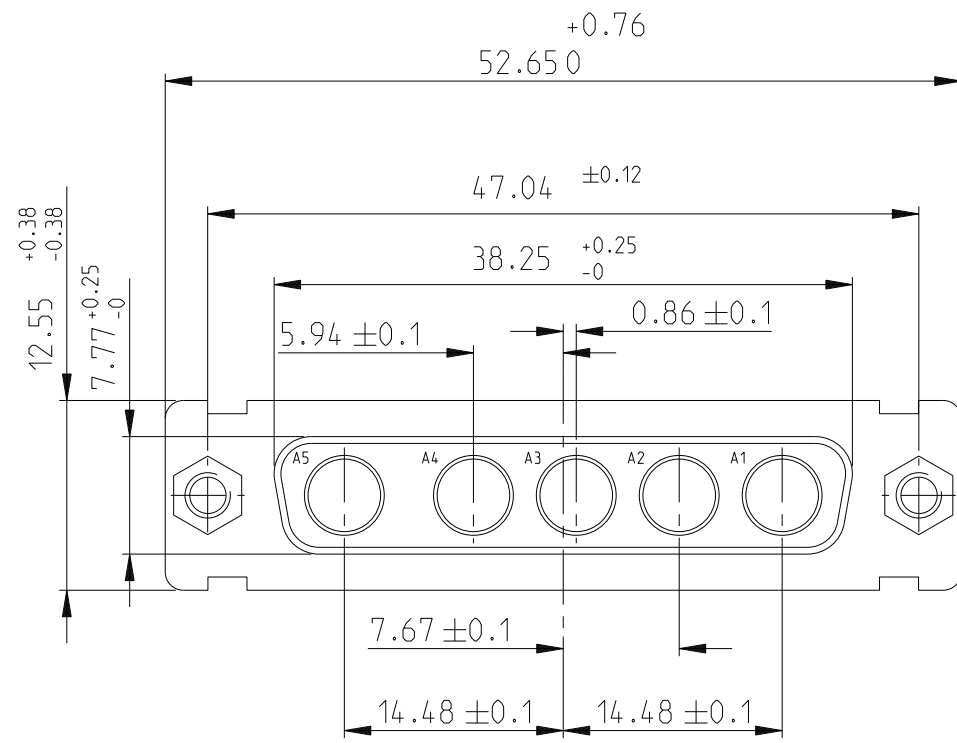
C

D

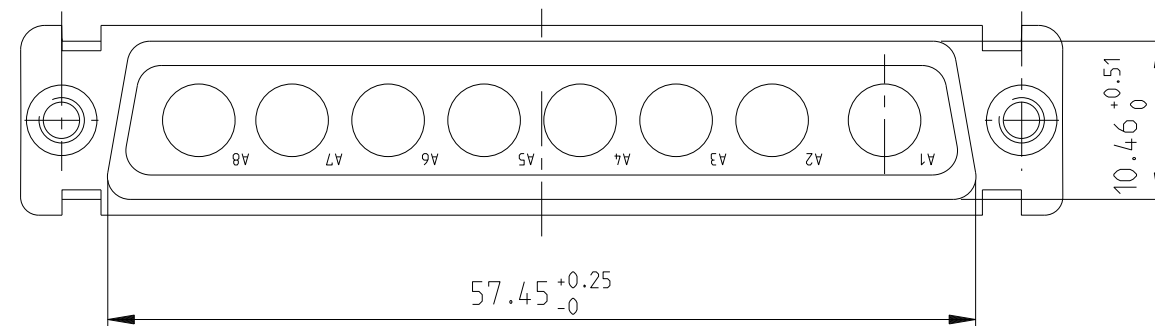
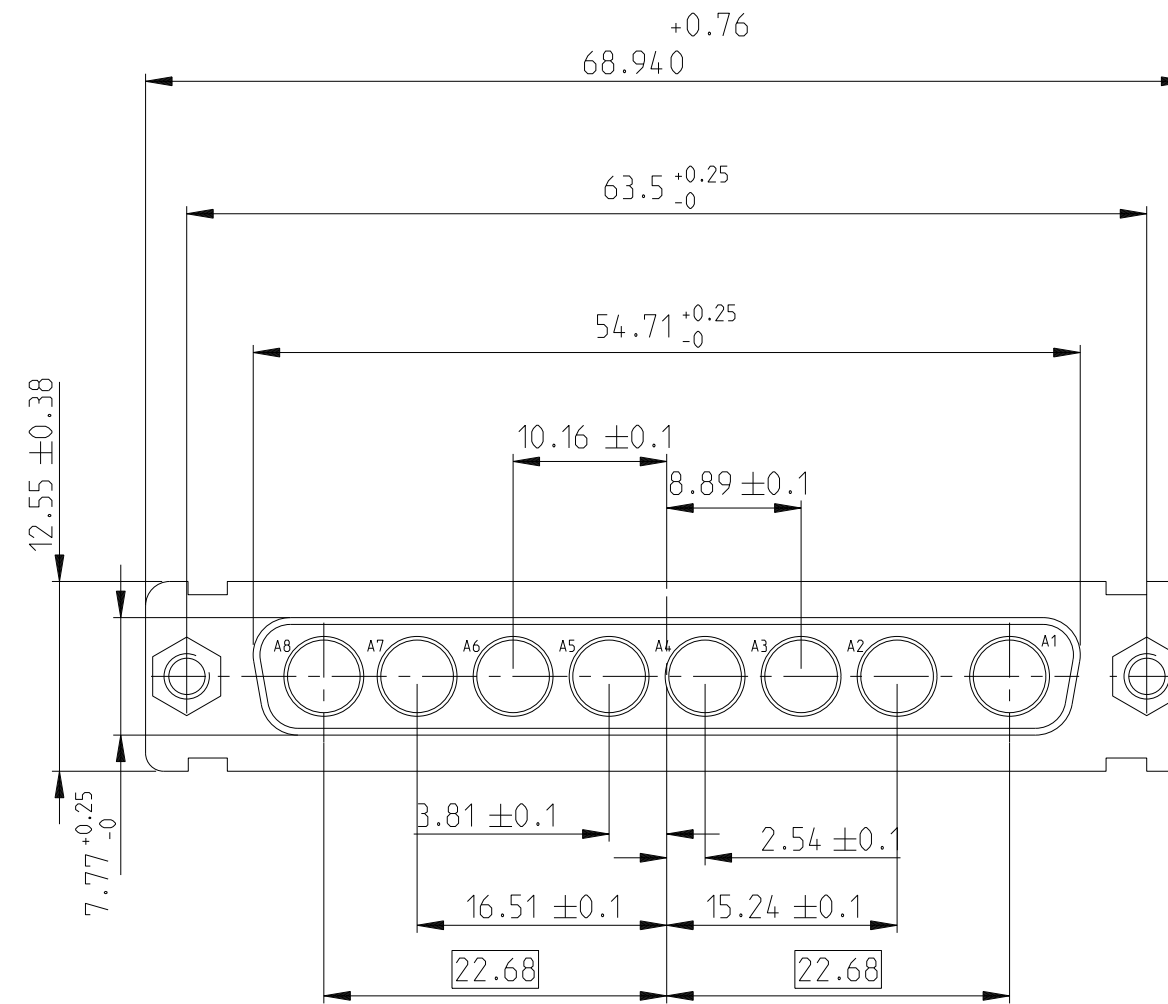
E

F

5W5



8W8



A

B

C

D

E

FIRST ANGLE PROJECTION

Amphenol FCI

© 2016 AFCI

spec ref	dr	Pro Engineer 1	2015/06/16	projection	mm	size	A2	scale	2:1
tolerance std	eng	J Dalbard	2016/09/13			ecn no	ECN-ELXF-24942-1	rel level	Released
TOLERANCES UNLESS OTHERWISE SPECIFIED	chr	J Dalbard	2016/09/19						
	appr	Aymeric Soudy	2016/09/20						
surface	linear	0.X	±0.3	Amphenol FCI		SUB FEMALE DW		dwg no	C01-8639-2311
		0.XX	±0.10	full power without contact				rev	E
	angular	0°	±2°	cat. no.		Product - Customer Drw		sheet 4 of 4	

PDS: Rev :E

STATUS:Released

Printed: Sep 28, 2016