



Chipsmall Limited consists of a professional team with an average of over 10 year of expertise in the distribution of electronic components. Based in Hongkong, we have already established firm and mutual-benefit business relationships with customers from,Europe,America and south Asia,supplying obsolete and hard-to-find components to meet their specific needs.

With the principle of “Quality Parts,Customers Priority,Honest Operation,and Considerate Service”,our business mainly focus on the distribution of electronic components. Line cards we deal with include Microchip,ALPS,ROHM,Xilinx,Pulse,ON,Everlight and Freescale. Main products comprise IC,Modules,Potentiometer,IC Socket,Relay,Connector.Our parts cover such applications as commercial,industrial, and automotives areas.

We are looking forward to setting up business relationship with you and hope to provide you with the best service and solution. Let us make a better world for our industry!



Contact us

Tel: +86-755-8981 8866 Fax: +86-755-8427 6832

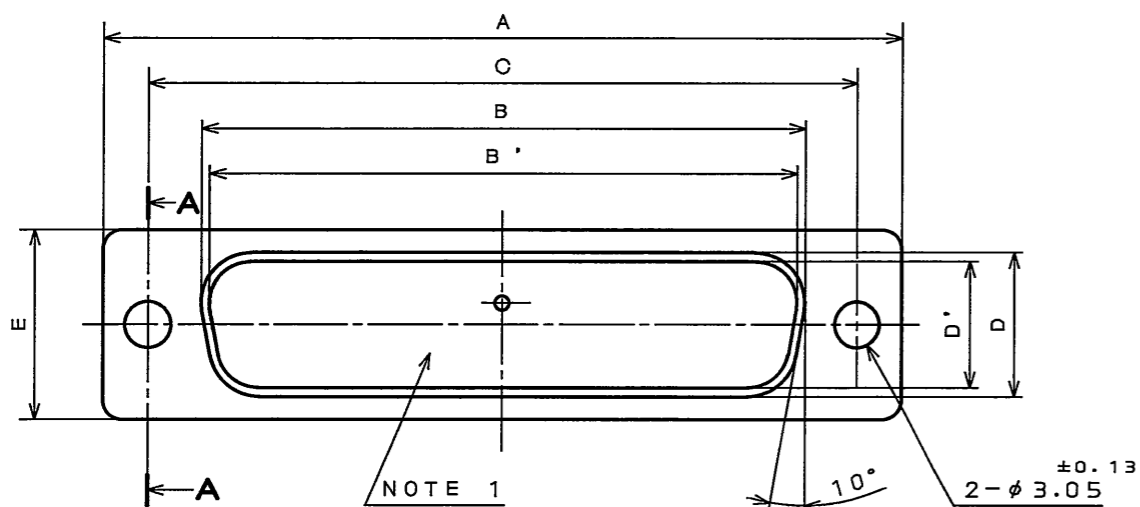
Email & Skype: info@chipsmall.com Web: www.chipsmall.com

Address: A1208, Overseas Decoration Building, #122 Zhenhua RD., Futian, Shenzhen, China

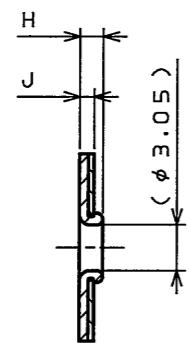


580E01RS
(DRAWING NO.)

版数 REV.	年月日 DATE	DCN NO.	変更内容 DESCRIPTION	製図 DR.	担当 CHK.	査閲 APPD.	承認 APPD.
2	13.Oct.2005	058374	ADD NOTES		Y.TAKA01	A.TA90	Y.KUBOTA
3	27.Jun.2006	060490	CORRECT AN ERROR		T.NOMIYAMA	A. Tago	Y. Kubota

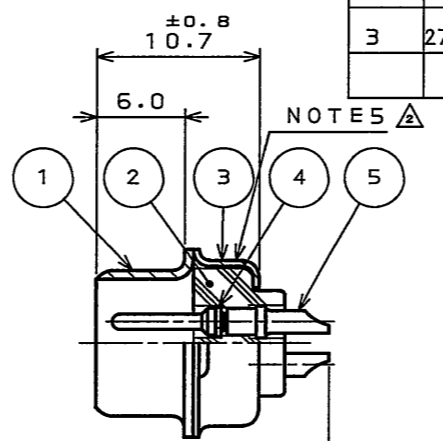


NOTE 1



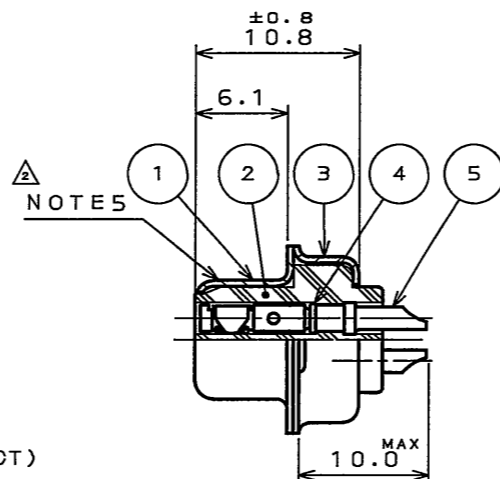
SECT. A-A

- NOTE1. MARK THE COMPANY NAME AND ABBREVIATED PART NUMBER AT THE LOCATION SHOWN IN THE DRAWING.
 2. APPLICABLE WIRE SIZE :AWG #20MAX. (IN CASE OF STANDARD CONTACT)
 3. FOR CONTACT ARRANGEMENT, SEE DWG. NO, SJ010199.
 4. FOR PANEL CUT-OUT DIMENSION , SEE DWG. NO, SJ013596.
 5. LOT NUMBER FOR SOCKET INSERT APPEAR.
- 注1. 図示の位置に社名及び、品名略称を表示する。
 2. 本コネクタ用使用電線はAWG#20以下のこと。(標準コンタクトの場合のみ)
 3. インサート配列SJ010199を参照のこと。
 4. パネル取付穴寸法はSJ013596を参照のこと。
 5. 図示の位置にロット番号を表示する。



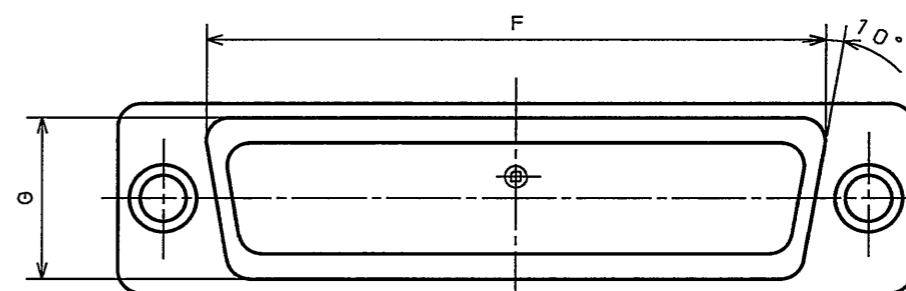
IN CASE OF STANDARD CONTACT (標準コンタクトの場合)

PIN INSERT VERSION
ピンインサートの場合

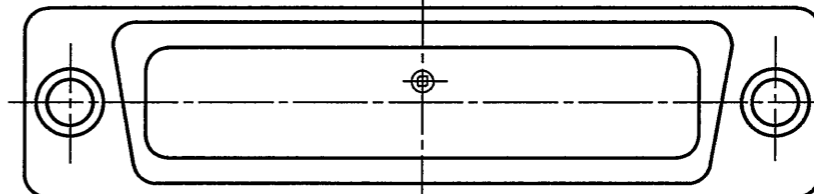


IN CASE OF STANDARD CONTACT (標準コンタクトの場合)

SOCKET INSERT VERSION
ソケットインサートの場合



REAR VIEW OF DAM,DBM,DCM,DEM SIZES
DAM,DBM,DCM,DEMリヤ一面



REAR VIEW OF DDM SIZE
DDMリヤ一面

DESIGNATION
命名法

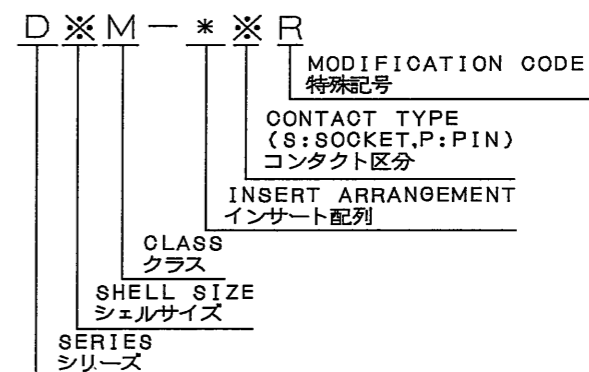


TABLE 1

PART NUMBER	DIMENSION IN MILLIMETERS										No. OF CONTACT (STANDARD)	
	±0.5 A	±0.25 B	±0.25 B'	C	±0.25 D	±0.25 D'	±0.5 E	F	G	H		J
DEM-*PR	30.8		16.90	24.99		8.34	12.6	19.3	10.7	1.2	0.8	9
DEM-*SR	30.8	16.26		24.99	7.82		12.6	19.3	10.7	1.2	0.8	
DAM-*PR	39.1		25.24	33.32		8.34	12.6	27.5	10.7	1.2	0.8	15
DAM-*SR	39.1	24.59		33.32	7.82		12.6	27.5	10.7	1.2	0.8	
DBM-*PR	53.0		39.01	47.04		8.40	12.6	41.3	10.7	1.5	1.0	25
DBM-*SR	53.0	38.30		47.04	7.82		12.6	41.3	10.7	1.2	0.8	
DCM-*PR	69.3		55.47	63.50		8.40	12.6	57.7	10.7	1.5	1.0	37
DCM-*SR	69.3	54.76		63.50	7.82		12.6	57.7	10.7	1.2	0.8	
DDM-*PR	66.9		52.83	61.11		11.16	15.4	55.3	13.9	1.5	1.0	50
DDM-*SR	66.9	52.34		61.11	10.65		15.4	55.3	13.9	1.2	0.8	

5	CONTACT	TABLE 1	COPPER ALLOY	GOLD PLATING	SEE INSERT ARRANGEMENT DRAWING
4	CONTACT RETAINING RING	TABLE 1	COPPER ALLOY	GOLD PLATING	SEE INSERT ARRANGEMENT DRAWING
3	REAR SHELL	1	STEEL	HEXAVALENT CHROMIUM FREE CHROMATE (TRIVALENT CHROMATE TREATMENT) ON ELECTROPLATED ZINC	
2	INSULATOR	1	SYNTHETIC RESIN	(COLOR: GREEN)	UL94 V-0
1	FRONT SHELL	1	STEEL	HEXAVALENT CHROMIUM FREE CHROMATE (TRIVALENT CHROMATE TREATMENT) ON ELECTROPLATED ZINC	
符号 NO.	名称 DESCRIPTION	個数 QTY.	材料 MATERIAL	仕上 FINISH	備考 REMARKS

仕様書 (SPECIFICATION) JACS-1045-2	第1版 (ORIGINAL DATE) 2.Sep.2005	尺度 (SCALE) 2:1	シリーズ (SERIES) D-sub	日本航空電子工業株式会社 JAPAN AVIATION ELECTRONICS INDUSTRY, LTD.
製図 DR.	製図 DR.	名称 (TITLE) D * M - * * R	図面番号 (DRAWING NO.) SJ103085	
公差 (GENERAL TOLERANCE) 寸法 (DIMENSION) 角度 (ANGLES)	担当 CHK. Y.TAKA01	質量 (MASS)	承認 APPD. Y.KUBOTA	版数 (REV.) 3
± .X ± 0.4 .XX ± 0.13 .XXX ±	° ± °X ±			