



Chipsmall Limited consists of a professional team with an average of over 10 year of expertise in the distribution of electronic components. Based in Hongkong, we have already established firm and mutual-benefit business relationships with customers from,Europe,America and south Asia,supplying obsolete and hard-to-find components to meet their specific needs.

With the principle of “Quality Parts,Customers Priority,Honest Operation,and Considerate Service”,our business mainly focus on the distribution of electronic components. Line cards we deal with include Microchip,ALPS,ROHM,Xilinx,Pulse,ON,Everlight and Freescale. Main products comprise IC,Modules,Potentiometer,IC Socket,Relay,Connector.Our parts cover such applications as commercial,industrial, and automotives areas.

We are looking forward to setting up business relationship with you and hope to provide you with the best service and solution. Let us make a better world for our industry!



## Contact us

Tel: +86-755-8981 8866 Fax: +86-755-8427 6832

Email & Skype: info@chipsmall.com Web: www.chipsmall.com

Address: A1208, Overseas Decoration Building, #122 Zhenhua RD., Futian, Shenzhen, China



CUSTOMER PRINT

PART NUMBER: DCM-USBCB-R2

**NOTES:**

1. THE O-RING & COUPLING RING COME PRE-ASSEMBLED ON THE CABLE.
2. THE CABLE IS INDIVIDUALLY PACKAGED.
3. THE DIMENSIONS IN BRACKET [ ] ARE METRIC.
4. UNLESS OTHERWISE SPECIFIED, THE TOLERANCES FOR TWO DECIMAL PLACES ARE ±0.01 [±0.25mm]

**MATERIALS:**

COUPLING RING: THERMOPLASTIC, BLACK  
 O-RING: ELASTOMER, RED  
 USB MICRO-B SHELL: COPPER ALLOY, NICKEL PLATED  
 USB MICRO-B INSULATOR: THERMOPLASTIC, BLACK  
 USB MICRO-B CONTACTS: COPPER ALLOY, GOLD FLASH  
 SIDE "A" BODY & FLEX RELIEF: THERMOPLASTIC, BLACK  
 CABLE JACKET: PVC 60P, BLACK  
 CONDUCTOR: 28 AWG STRANDED TINNED COPPER

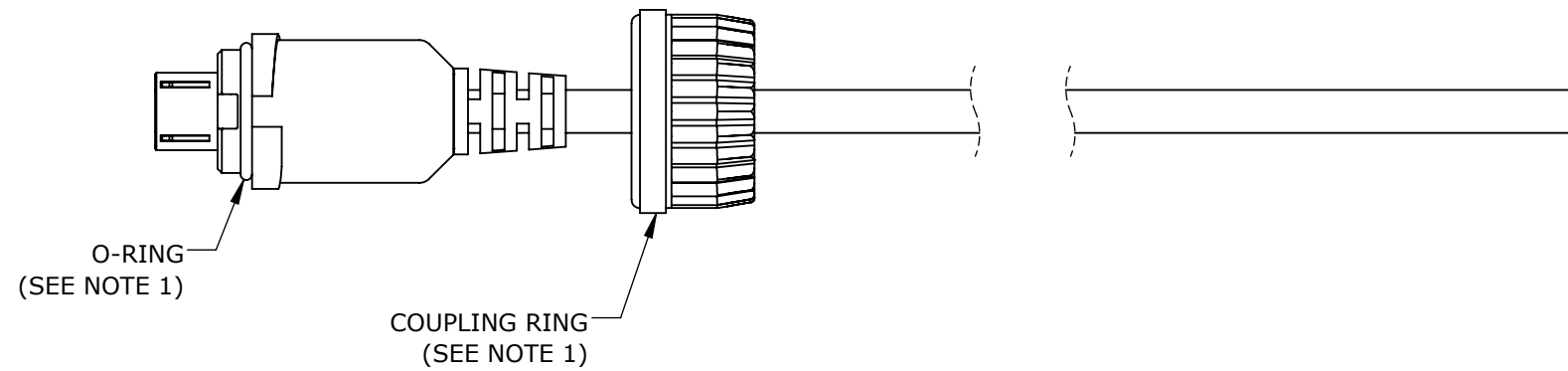
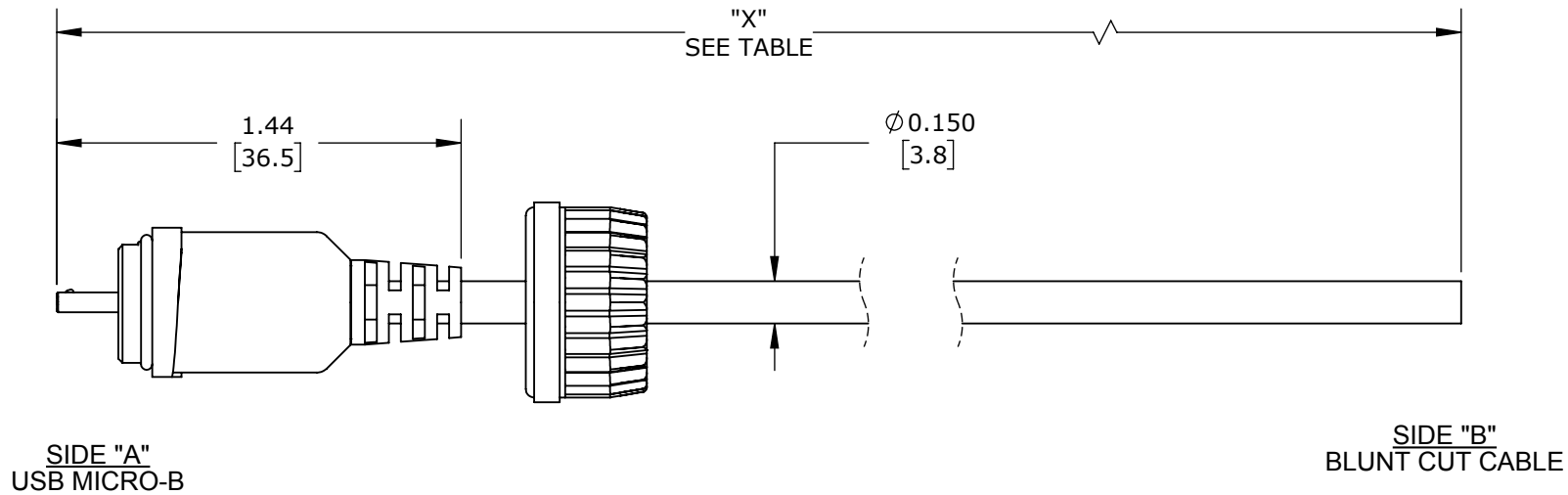
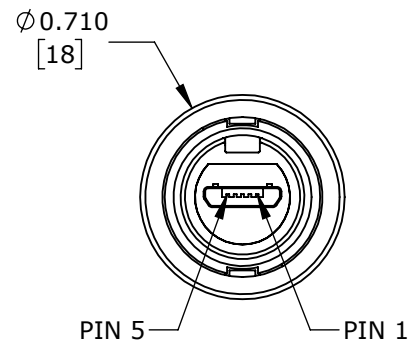
**ELECTRICAL:**

INSULATION RESISTANCE: 100 MΩ MINIMUM  
 DIELECTRIC WITHSTANDING VOLTAGE: 100 VAC  
 CONTACT CURRENT RATING: 1A MINIMUM  
 RATED VOLTAGE: 30 V MAXIMUM

**OTHER:**

TEMPERATURE RANGE: -20°C TO +75°C (-4°F TO +167°F)  
 WEATHERTIGHT RATINGS: IP66 (WHEN MATED)  
 LIFE: 300 CYCLES MINIMUM (COUPLING RING)

PART NUMBER	"X" [mm]	DESCRIPTION
DCM-USBCB-R2	78.7 ± 1.0 [2000 ± 25.4]	SEALED MICRO USB 2.0 TYPE-B TO BLUNT CUT CABLE, 2M LENGTH



PIN ASSIGNMENT	
USB MICRO-B	CABLE
1	RED
2	WHITE, TWISTED PAIR
3	GREEN, TWISTED PAIR
4	NO CONNECTION
5	BLACK
SHIELD	BRAID

**RoHS COMPLIANT**

**CUSTOMER DRAWING**

OC	JGK	01/12/18	DRAWING CREATED FOR PROJECT #09013B.		
REV.	INIT.	DATE	DESCRIPTION		
	JGK	1/12/18	ORIG. DRAWN BY:	DATE:	 601 E. WILDWOOD VILLA PARK, IL 60181
			CHECKED BY:		
<small>ALL INFORMATION ILLUSTRATED IS THE PROPERTY OF CONXALL CORPORATION. UNAUTHORIZED DUPLICATION OR DISTRIBUTION OF THIS DOCUMENT IS PROHIBITED.</small>			APPROVED BY:	TITLE: USB OVERMOLDED CABLE SERIES MICRO USB 2.0, TYPE B DATA-CON-X STANDARD PRODUCT	
<small>ALL UNITS ARE IN FEET, INCHES, FRACTION OF INCHES AND DECIMALS. UNLESS OTHERWISE SPECIFIED TOLERANCES: 3 PLACE DECIMALS ±.005 ANGLES ±1° FRACTIONS ±1/16 - CRITICAL CHARACTERISTIC FLAG PER SPEC. XXXX</small>			SCALE:	SIZE:	SHEET:
			1.5:1	B	1 OF 1
FILE:	DIRECTORY:	PART NUMBER:	REV		
SAME AS P/N	SLW	DCM-USBCB-R2	OC		