



Chipsmall Limited consists of a professional team with an average of over 10 year of expertise in the distribution of electronic components. Based in Hongkong, we have already established firm and mutual-benefit business relationships with customers from,Europe,America and south Asia,supplying obsolete and hard-to-find components to meet their specific needs.

With the principle of “Quality Parts,Customers Priority,Honest Operation,and Considerate Service”,our business mainly focus on the distribution of electronic components. Line cards we deal with include Microchip,ALPS,ROHM,Xilinx,Pulse,ON,Everlight and Freescale. Main products comprise IC,Modules,Potentiometer,IC Socket,Relay,Connector.Our parts cover such applications as commercial,industrial, and automotives areas.

We are looking forward to setting up business relationship with you and hope to provide you with the best service and solution. Let us make a better world for our industry!



Contact us

Tel: +86-755-8981 8866 Fax: +86-755-8427 6832

Email & Skype: info@chipsmall.com Web: www.chipsmall.com

Address: A1208, Overseas Decoration Building, #122 Zhenhua RD., Futian, Shenzhen, China



NOTES:

- DCP-US3AB-US3C SHOWN IN EXPLODED VIEW. (USB 3.0 TYPE A RECEPTACLE TO USB 3.0 MICRO TYPE AB WITH QUICK CONNECT COUPLING.)
- THE USB 3.0 RECEPTACLE STYLES ARE STANDARD TYPE "A" TO MICRO "AB".
- THE DIMENSION DOES NOT INCLUDE GASKET COMPRESSION.
- THE PINOUT AND DIMENSIONS ARE TYPICAL FOR ALL VERSIONS.
- UNLESS OTHERWISE SPECIFIED, DIMENSIONS WITH TWO DECIMAL PLACES HAVE TOLERANCES OF ± 0.02 [± 0.5 mm].

MATERIALS:

GASKET: ELASTOMER, BLACK
 HEX NUT: THERMOPLASTIC, BLACK
 USB PANEL HOUSING: THERMOPLASTIC, BLACK
 USB "A" RECEPTACLE:
 SHELL: COPPER ALLOY, NICKEL PLATED
 CONTACTS: COPPER ALLOY, GOLD PLATED
 INSULATOR: THERMOPLASTIC, BLUE
 USB MICRO "AB" RECEPTACLE:
 SHELL: COPPER ALLOY, NICKEL PLATED
 CONTACTS: COPPER ALLOY, GOLD PLATED
 INSULATOR: THERMOPLASTIC, BLACK
 PCB: FR-4

ELECTRICAL:

CURRENT RATING: 1.5 A
 CONTACT RESISTANCE: 50 MILLIOHMS MAX
 INSULATION RESISTANCE: 100 MEGAOHMS MINIMUM
 DIELECTRIC WITHSTANDING VOLTAGE: 100V AC FOR 1 MINUTE

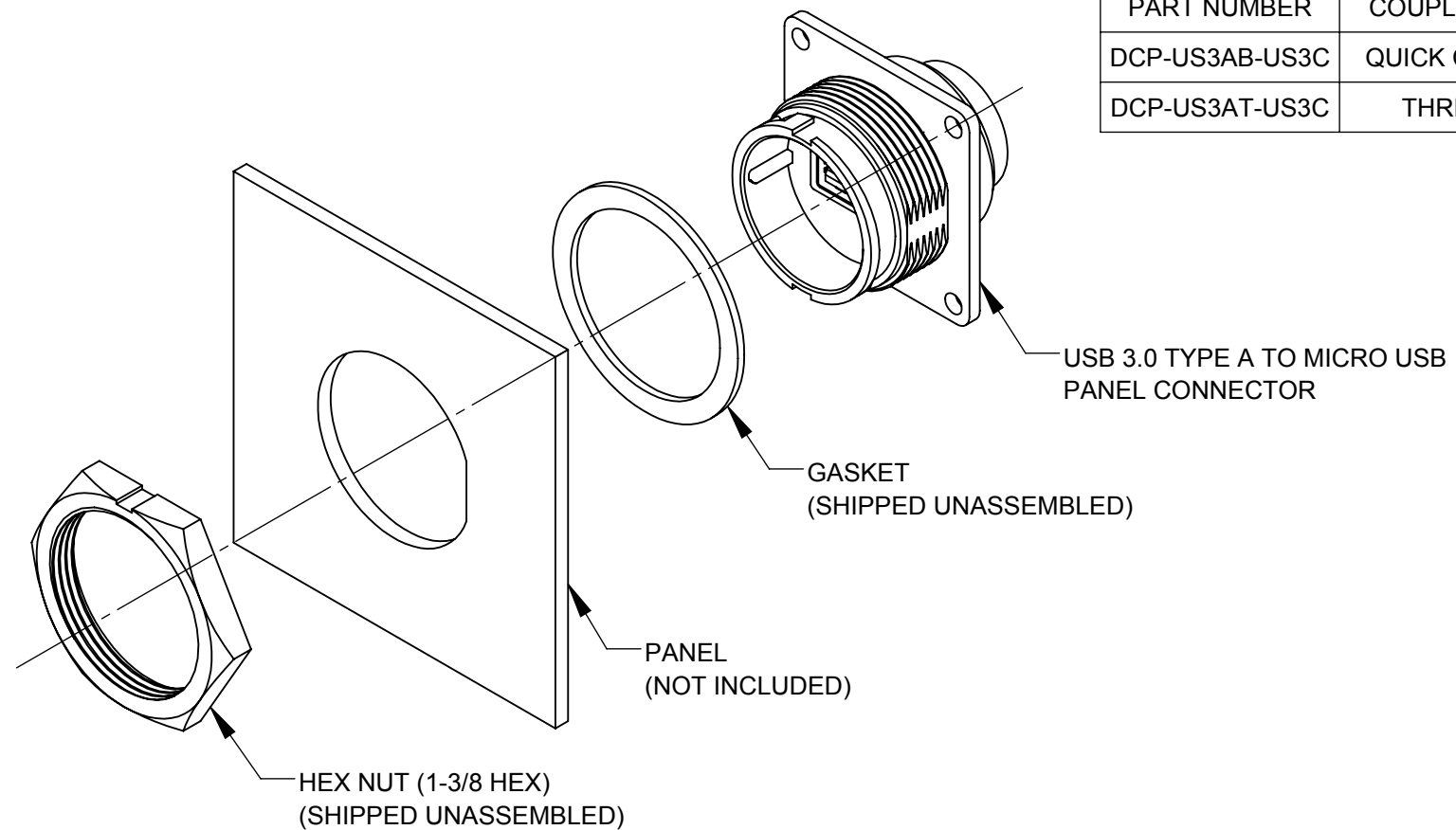
PRODUCT RATING:

IP-67 & IP-68, NEMA 250 (6P), WHEN MATED

OTHER:

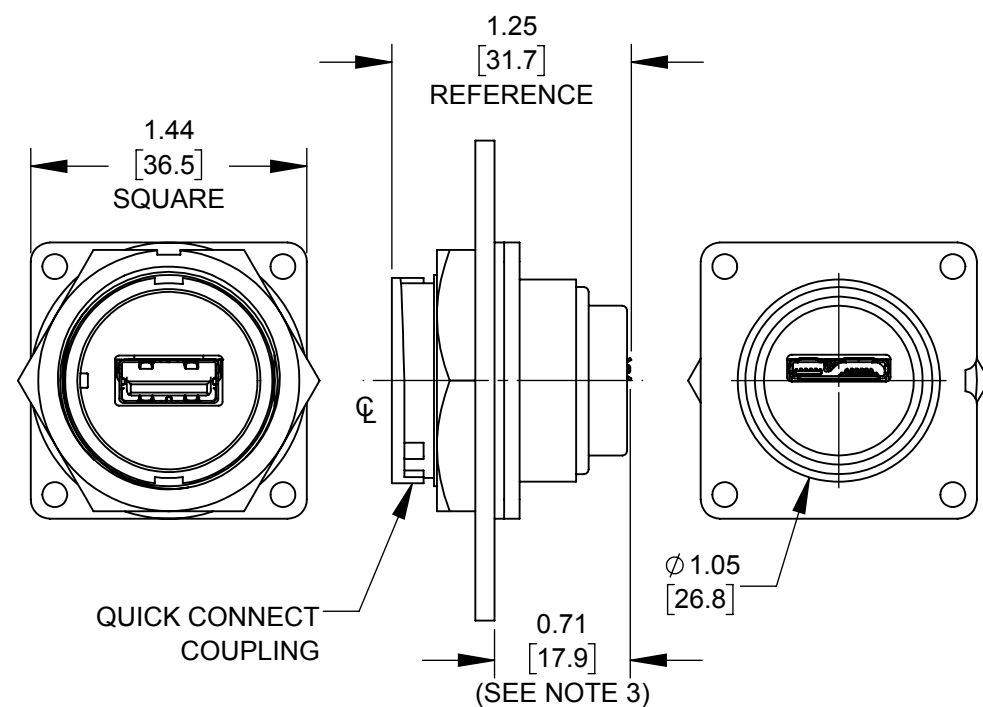
OPERATING TEMPERATURE: -25°C TO $+80^{\circ}\text{C}$ [-13°F TO $+176^{\circ}\text{F}$]
 RECOMMENDED PANEL THICKNESS:
 QUICK CONNECT COUPLING: 1/32" TO 3/16" (0.8mm to 4.8mm)
 THREADED COUPLING: 1/32" TO 5/32" (0.8mm to 3.9mm)

PART NUMBER	COUPLING TYPE	DESCRIPTION
DCP-US3AB-US3C	QUICK CONNECT	USB 3.0 TYPE A TO MICRO 3.0 AB
DCP-US3AT-US3C	THREADED	USB 3.0 TYPE A TO MICRO 3.0 AB



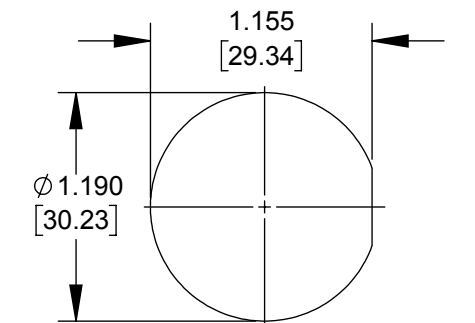
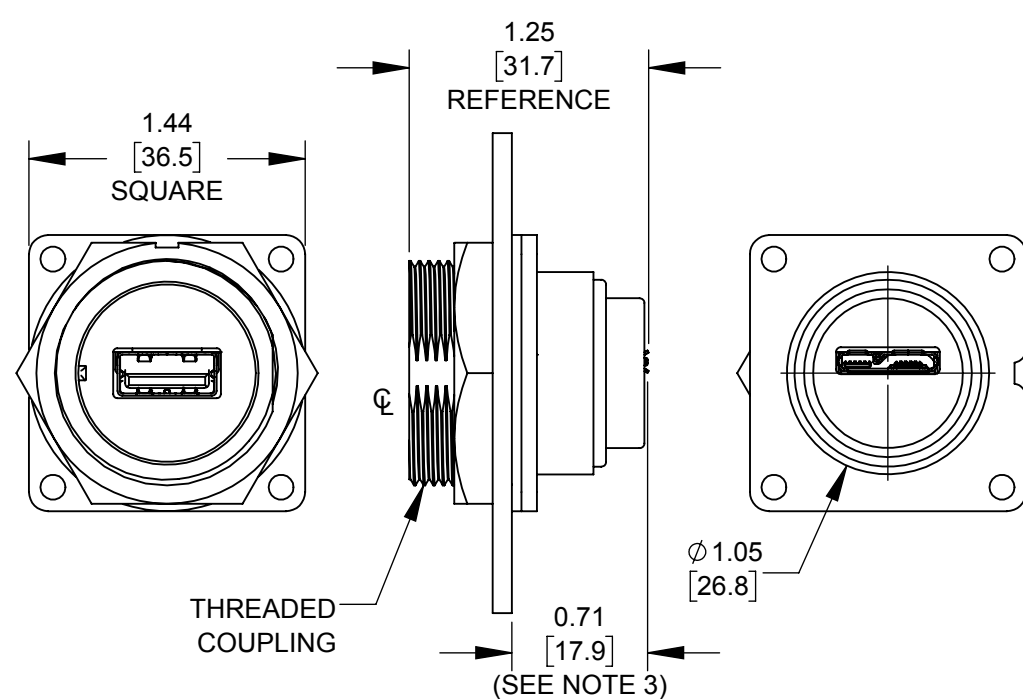
DCP-US3AB-US3C SHOWN

(USB 3.0 TYPE A TO MICRO 3.0 WITH QUICK CONNECT COUPLING)



DCP-US3AT-US3C SHOWN

(USB 3.0 TYPE A TO MICRO 3.0 WITH THREADED COUPLING)



RECOMMENDED PANEL CUT-OUT
 QUICK CONNECT COUPLING
 OR THREADED COUPLING

DIMENSIONS IN BRACKET [] ARE METRIC.

RoHS COMPLIANT

PRELIMINARY

CUSTOMER DRAWING

0A	JGK	4/24/17	DRAWING CREATED FOR PROJECT #12012.	
REV.	INIT.	DATE	DESCRIPTION	
	JGK	4/24/17	ORIG. DRAWN BY: DATE: 4/24/17	
ALL INFORMATION ILLUSTRATED IS THE PROPERTY OF CONXALL CORPORATION. UNAUTHORIZED DUPLICATION OR DISTRIBUTION OF THIS DOCUMENT IS PROHIBITED.			CHECKED BY:	
ALL UNITS ARE IN FEET, INCHES, FRACTION OF INCHES AND DECIMALS. UNLESS OTHERWISE SPECIFIED TOLERANCES: 3 PLACE DECIMALS ± 0.005 ANGLES $\pm 1^{\circ}$ FRACTIONS $\pm 1/16$			APPROVED BY:	
- CRITICAL CHARACTERISTIC FLAG PER SPEC. XXXX			SCALE: 1:1	SHEET: 1 OF 1
FILE: DCP-US3AX SERIES_CD	DIRECTORY: SLW	PART NUMBER: DCP-US3AX-US3C SERIES	TITLE: USB A 3.0 TO MICRO AB 3.0 INDUSTRIAL PANEL CONNECTOR DATA-CON-X	
			CUSTOMER: STANDARD PRODUCT	
			REV 0A	



601 E. WILDWOOD VILLA PARK, IL 60181