



Chipsmall Limited consists of a professional team with an average of over 10 year of expertise in the distribution of electronic components. Based in Hongkong, we have already established firm and mutual-benefit business relationships with customers from,Europe,America and south Asia,supplying obsolete and hard-to-find components to meet their specific needs.

With the principle of “Quality Parts,Customers Priority,Honest Operation,and Considerate Service”,our business mainly focus on the distribution of electronic components. Line cards we deal with include Microchip,ALPS,ROHM,Xilinx,Pulse,ON,Everlight and Freescale. Main products comprise IC,Modules,Potentiometer,IC Socket,Relay,Connector.Our parts cover such applications as commercial,industrial, and automotives areas.

We are looking forward to setting up business relationship with you and hope to provide you with the best service and solution. Let us make a better world for our industry!



Contact us

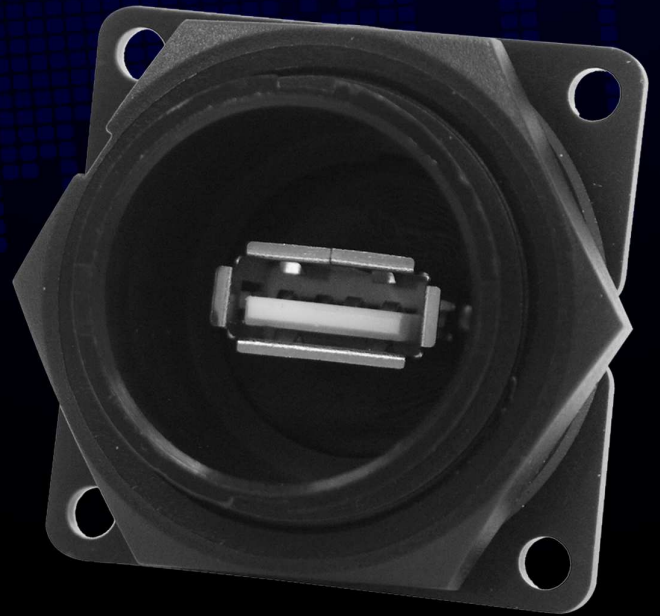
Tel: +86-755-8981 8866 Fax: +86-755-8427 6832

Email & Skype: info@chipsmall.com Web: www.chipsmall.com

Address: A1208, Overseas Decoration Building, #122 Zhenhua RD., Futian, Shenzhen, China



CONXALL
DATA-CON-X[®]
SEALED USB TYPE A
**PANEL MOUNT
CONNECTORS**

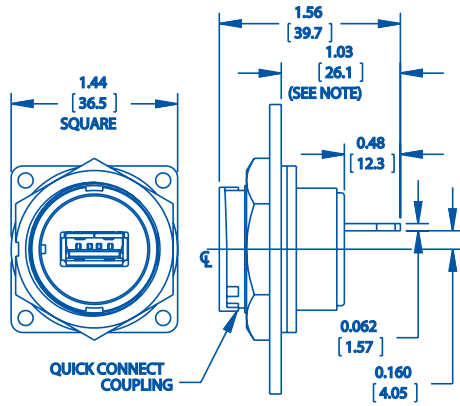


Switchcraft[®]
CONXALL[®]

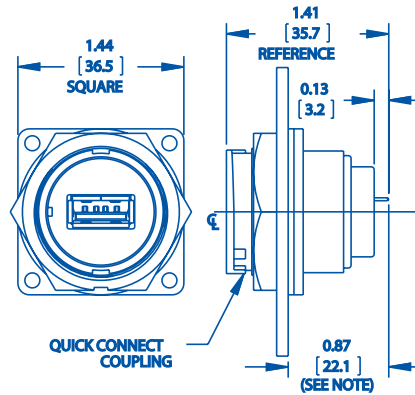
HARSH ENVIRONMENT CONNECTIVITY SOLUTIONS

OVERALL DIMENSIONS

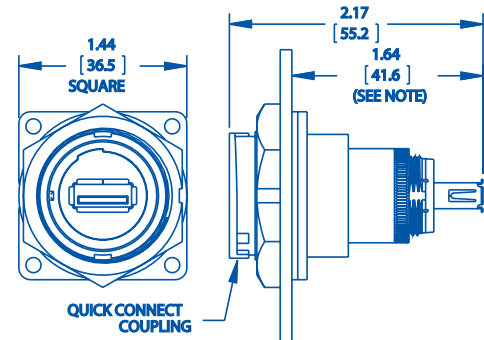
SOLDER CUP



PCB HEADER



FEEDTHRU

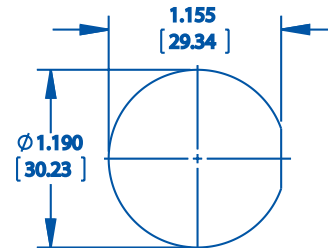


Note: Dimension does not include gasket compression.
Dimensions in inches [mm]. Quick connect option shown.
See drawings from Conxall.com for detailed dimensions

KEY FEATURES

- PC Header, Solder Cup, and Feedthru options available
- Sealed to IP68 when mated with Data-Con-X® USB A connectors
- Also compatible with standard USB A connectors
- Optional IP68 rated cap also available (part #D24295-WA)
- Threaded or Bayonet Quick Connect coupling options
- Built from high quality thermoplastic with elastomer gasket
- Made in the USA

RECOMMENDED PANEL CUTOUT



OPTIONS AND PART NUMBER LOGIC



USB PANEL MOUNT FEED-THRU CONNECTORS PART NUMBER CHART

USB FIELD INSTALLABLE PANEL HOUSING ASSEMBLY	RECEPTACLE TYPE (SEALED END)	COUPLING TYPE	RECEPTACLE TYPE (NON-SEALED END)
DCP	USBA = USB "A" 2.0	B = QUICK CONNECT T = THREADED	SC = Solder Cup HD = PCB Header F = USB "A" 2.0 USBB = USB "B" 2.0

DCP-USBAB- mates with DCC-USBAB-150 or DCC-USBAB-180*
DCP-USBAT- mates with DCC-USBAT-150 or DCC-USBAT-180*