



Chipsmall Limited consists of a professional team with an average of over 10 year of expertise in the distribution of electronic components. Based in Hongkong, we have already established firm and mutual-benefit business relationships with customers from,Europe,America and south Asia,supplying obsolete and hard-to-find components to meet their specific needs.

With the principle of “Quality Parts,Customers Priority,Honest Operation,and Considerate Service”,our business mainly focus on the distribution of electronic components. Line cards we deal with include Microchip,ALPS,ROHM,Xilinx,Pulse,ON,Everlight and Freescale. Main products comprise IC,Modules,Potentiometer,IC Socket,Relay,Connector.Our parts cover such applications as commercial,industrial, and automotives areas.

We are looking forward to setting up business relationship with you and hope to provide you with the best service and solution. Let us make a better world for our industry!



Contact us

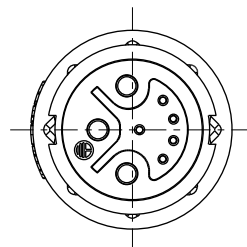
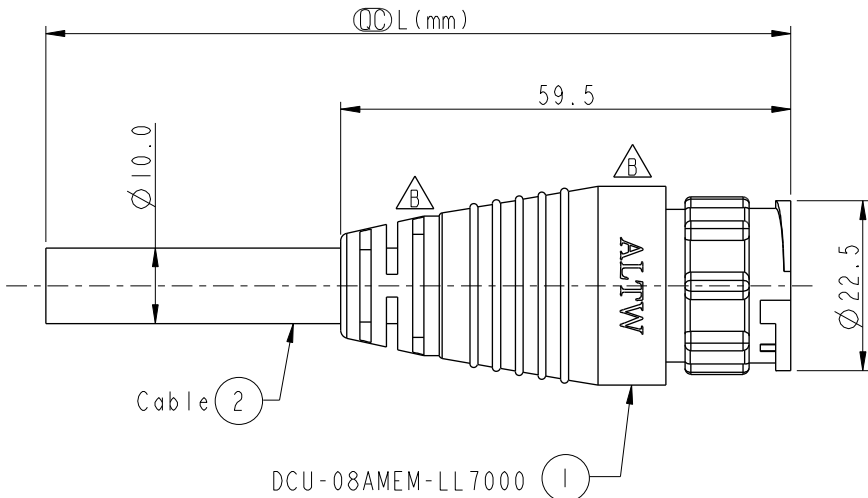
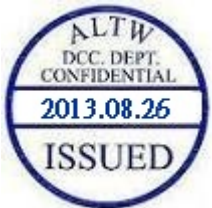
Tel: +86-755-8981 8866 Fax: +86-755-8427 6832

Email & Skype: info@chipsmall.com Web: www.chipsmall.com

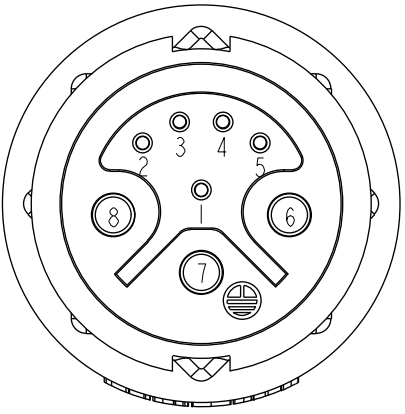
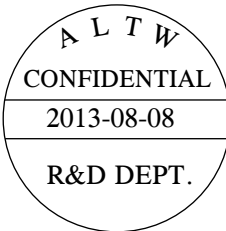
Address: A1208, Overseas Decoration Building, #122 Zhenhua RD., Futian, Shenzhen, China



REV.	ECN NO.	DATE	SIGN	DESCRIPTION
B	LEN1380148-151	2013/08/08	Ruru	Modify the SR & Tolerance & Change Logo



DCU-08AMEM-LL7BXX
 XX:01~99Meter
 01:01Meter
 02:02Meters
 ...
 99:99Meters
 Cable Length(L):01~99Meters



Conn. Pin Assignments Front View

8	Brown	16AWG	棕	Twist
7	Green/Yellow	16AWG	綠/黃	
6	Blue	16AWG	藍	Twist
5	Red	24AWG	紅	
4	Green	24AWG	綠	
3	White	24AWG	白	
2	Blue	24AWG	藍	
1	Drain		地線	
Conn.	Wire Color		Pin Out	

Note:
 * \varnothing Important Dimension To Check
 * Waterproof Rate: IP67
 * Connector: Nylon+GF, UL94V-0, Black
 * Pin: Copper Alloy, Gold Plated
 * Cable: UL2586 (24#*1P+A)*2C+16#*3C+Drain+Al/Mylar, PVC Jacket, UV Resistant, OD= \varnothing 10.0mm, Black
 * Cable Length Tolerance: 01M \pm 40mm
 02M~05M: \pm 60mm
 06M~10M: \pm 100mm
 11M~30M: \pm 200mm
 31M~99M: \pm 500mm

UNIT:mm	
TOLERANCE	± 0.5 mm $\triangle B$

TITLE Large Size, Lock Type MConn. 3MPin(20A)+5FPin(2A)			
SCALE 1:1	SIZE A4	SHEET 1 OF 1	
REV. B	WC-REV. B.2	\varnothing : Inspection item	

Amphenol LTW
 安費諾亮泰企業股份有限公司

ITEM NO	DRAWN BY Ruru	DATE 2013-08-20
DWG NO DCU-08AMEM-LL7BXX	CHECKED BY Rita	DATE 2013-08-20
CUSTOMER ALTW	APPROVED BY Maslow	DATE 2013-08-20

THIS DOCUMENT IS SUBJECT TO CHANGE WITHOUT NOTICE. IT IS CONFIDENTIAL AND A PROPERTY OF AMPHENOL LTW. DISCLOSURE TO THIRD PARTY HAS TO BE AUTHORIZED BY AMPHENOL LTW.