



Chipsmall Limited consists of a professional team with an average of over 10 year of expertise in the distribution of electronic components. Based in Hongkong, we have already established firm and mutual-benefit business relationships with customers from,Europe,America and south Asia,supplying obsolete and hard-to-find components to meet their specific needs.

With the principle of “Quality Parts,Customers Priority,Honest Operation,and Considerate Service”,our business mainly focus on the distribution of electronic components. Line cards we deal with include Microchip,ALPS,ROHM,Xilinx,Pulse,ON,Everlight and Freescale. Main products comprise IC,Modules,Potentiometer,IC Socket,Relay,Connector.Our parts cover such applications as commercial,industrial, and automotives areas.

We are looking forward to setting up business relationship with you and hope to provide you with the best service and solution. Let us make a better world for our industry!



Contact us

Tel: +86-755-8981 8866 Fax: +86-755-8427 6832

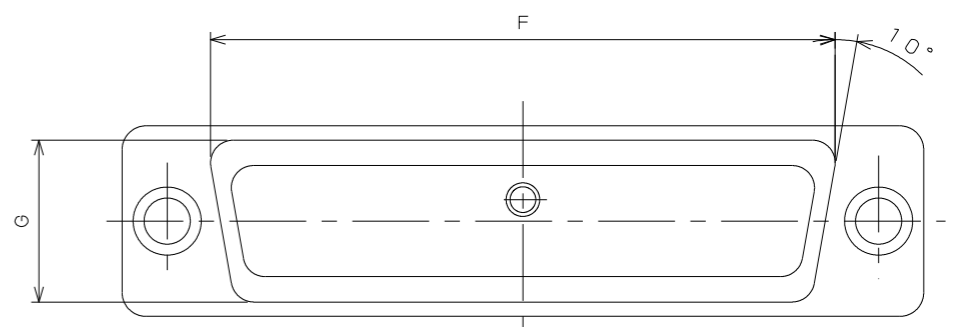
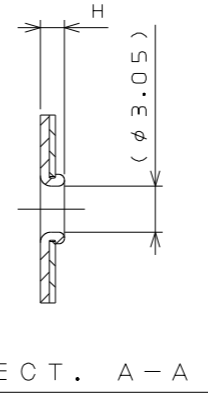
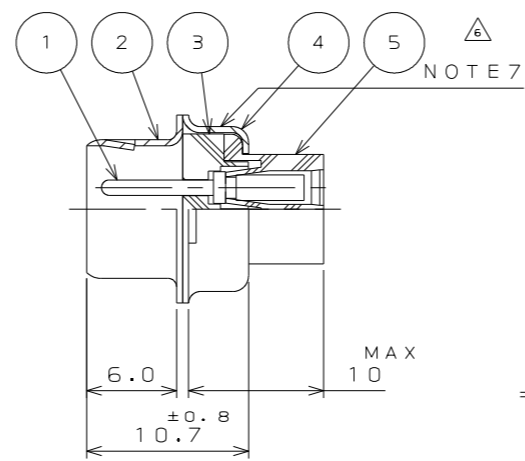
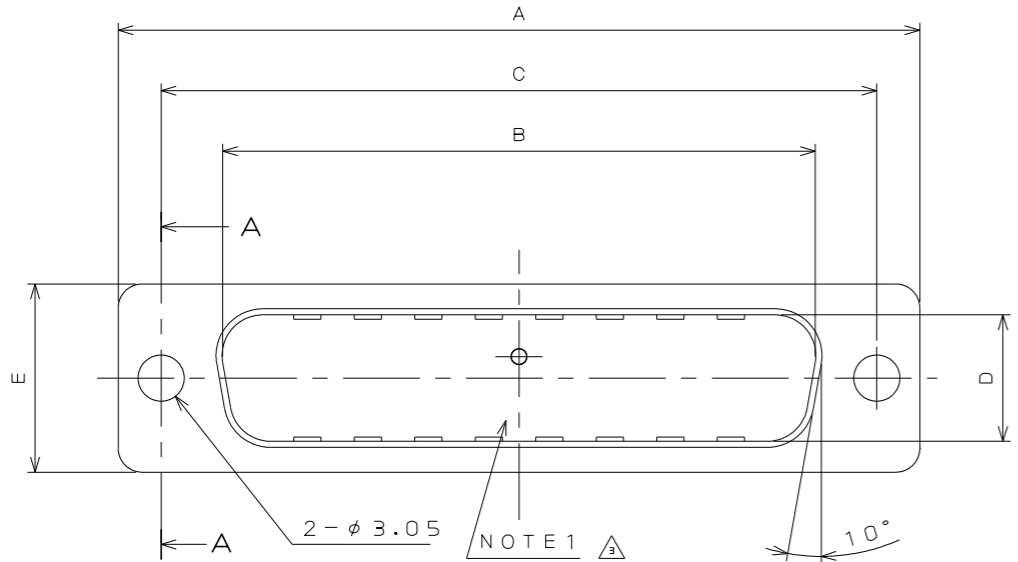
Email & Skype: info@chipsmall.com Web: www.chipsmall.com

Address: A1208, Overseas Decoration Building, #122 Zhenhua RD., Futian, Shenzhen, China



160810PS
('ON 0NIMVHD) 台機理図

版数 VER.	年月日 DATE	CN NO.	変更内容 DESCRIPTION	製図 DR.	担当 CHK.	査閲 APPD.	承認 APPD.
8	4.Oct.2013	007733	CHANGE OF MATERIAL NOTATION	M.MATSUMOTO	M.TANAKA	O.TAKAGI	T.MIYASHITA



DESIGNATION
命名法

D * U - ※ P F - F O

NO CONTACTS (SEE NOTE 3)
コンタクト無し

MODIFICATION CODE
特殊記号

CONTACT TYPE
(S: SOCKET, P: PIN)
コンタクト区分

INSERT ARRANGEMENT
インサート配列

CONNECTOR TYPE
コネクタタイプ

SHELL SIZE
シェルサイズ

SERIES
シリーズ

LOT NUMBERING
ロット番号付与方法

J 5 9 1

MONTHLY LOT NO. (1,2,3...9,0,A,B...EXCEPT I AND O)
月のロット番号 (1,2,3...9,0,A,B...但し、IとOは除く)

PRODUCTION MONTH (JAN=1, FEB=2...OCT=0, NOV=X, DEC=Y)
生産月 (1月=1, 2月=2...10月=0, 11月=X, 12月=Y)

YEAR (1995)
西暦年 (1995)

INDICATION OF ASSEMBLY SECTION
組立部門識別表示

TABLE 1

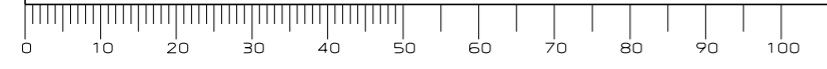
PART NUMBER	DIMENSION IN MILLIMETERS							
	±0.5 A	±0.25 B	C	±0.25 D	±0.5 E	F	G	H
DEU-9PF-FO	30.8	16.90	24.99	8.34	12.6	19.3	10.7	1.2
DAU-15PF-FO	39.1	25.24	33.32	8.34	12.6	27.5	10.7	1.2
DBU-25PF-FO	53.0	39.01	47.04	8.40	12.6	41.3	10.7	1.5
DCU-37PF-FO	69.3	55.47	63.50	8.40	12.6	57.7	10.7	1.5
DDU-50PF-FO	66.9	52.86	61.11	11.16	15.4	55.3	13.9	1.5

- △△NOTE 1. MARK THE COMPANY NAME AND ABBREVIATED PART NUMBER AT THE LOCATION SHOWN IN THE DRAWING.
2. THIS DRAWING SHOWS CONTACT ARRANGEMENT OF NUMBER OF CONTACTS 25.
3. CONTACTS ARE NOT SUPPLIED WITH CONNECTORS. PLEASE DEMAND NECESSARY NUMBER OF CONTACTS ON ANOTHER ORDER.
4. FOR CONTACT ARRANGEMENT, SEE DWG. NO. SJO10210.
5. INSULATOR MATERIAL OF "UL STANDARDS". STANDARD OF BURNING: UL94V-0
6. FOR PANEL CUT-OUT DIMENSION, SEE DWG. NO. SJO13596.
- △ 7. PRODUCTION LOT NUMBER IS ENGRAVED AS INDICATED.

- 注 1. 図示の位置に社名及び、品名略称を表示する。
2. 本図のコンタクト配列は25芯の場合を示す。
3. コンタクトは添付されない為、別オーダーで所要数を要求のこと。
4. インサート配列はSJO10210を参照のこと。
5. インシュレータ材料はUL規格認定品の次の材料を使用。
燃焼性規格...UL94V-0
6. パネル取付穴寸法はSJO13596を参照のこと。
- △ 7. 図示の位置にロットNo. を刻印する。

5	REAR INSULATOR	1	GLASS FILLED NYLON △	(COLOR:BLACK)	NOTE 5
4	REAR SHELL	1	STEEL	NICKEL PLATING	—
3	FRONT INSULATOR	1	GLASS FILLED PBT △	(COLOR:BLACK)	NOTE 5
2	FRONT SHELL	1	STEEL	NICKEL PLATING	—
1	CONTACT	NOTE 3	COPPER ALLOY	GOLD OVER NICKEL PLATING	—
符号 NO.	名称 DESCRIPTION	個数 QTY.	材料 MATERIAL	仕上 FINISH	備考 REMARKS
仕様書 (SPECIFICATION) JACS-3019-1 (MACHINE) △ JACS-3019-3 (PRESS)		第1版 (ORIGINAL DATE) 26.Mar.1983		尺度 (SCALE) 2:1	シリーズ (SERIES) Dsub
一般公差 (GENERAL TOLERANCE)		製図 DR.	KOMATSU	名称 (TITLE) D * U - ※ P F - F O	
寸法 (DIMENSION)		担当 CHK.	TASHIRO		
角度 (ANGLES)		査閲 APPD.	NISHINO		
単位 (UNIT): mm		承認 APPD.	KANEDA		
· ±0.8	X° ± —	質量 (MASS)		 日本航空電子工業株式会社 JAPAN AVIATION ELECTRONICS INDUSTRY, LTD. 図面番号 (DRAWING NO.) SJ018091	
· X ±0.4	X° X ± —	質量 (MASS)			
· XX ±0.1	—	質量 (MASS)			
· XXX ± —	—	質量 (MASS)			

DCF-C-212H(12.08)



WISDOM承認 2013/10/04

SIZE A3