



Chipsmall Limited consists of a professional team with an average of over 10 year of expertise in the distribution of electronic components. Based in Hongkong, we have already established firm and mutual-benefit business relationships with customers from,Europe,America and south Asia,supplying obsolete and hard-to-find components to meet their specific needs.

With the principle of “Quality Parts,Customers Priority,Honest Operation,and Considerate Service”,our business mainly focus on the distribution of electronic components. Line cards we deal with include Microchip,ALPS,ROHM,Xilinx,Pulse,ON,Everlight and Freescale. Main products comprise IC,Modules,Potentiometer,IC Socket,Relay,Connector.Our parts cover such applications as commercial,industrial, and automotives areas.

We are looking forward to setting up business relationship with you and hope to provide you with the best service and solution. Let us make a better world for our industry!



Contact us

Tel: +86-755-8981 8866 Fax: +86-755-8427 6832

Email & Skype: info@chipsmall.com Web: www.chipsmall.com

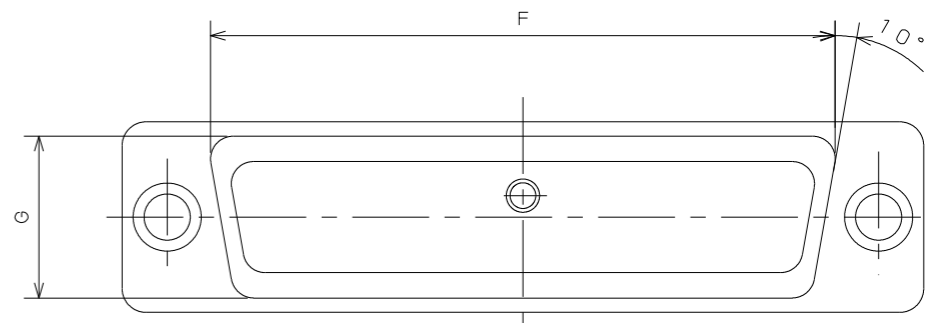
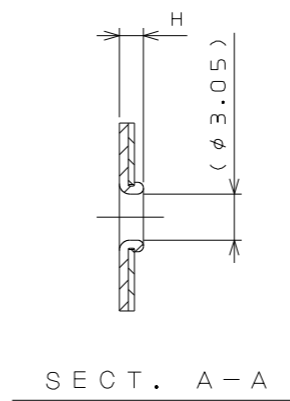
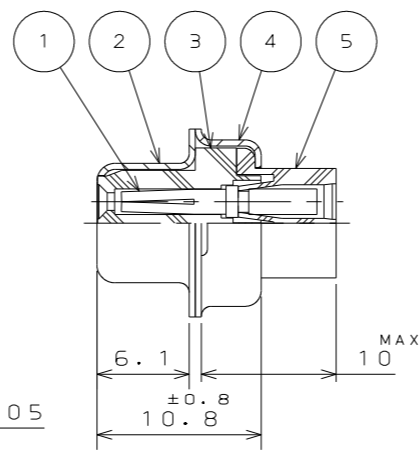
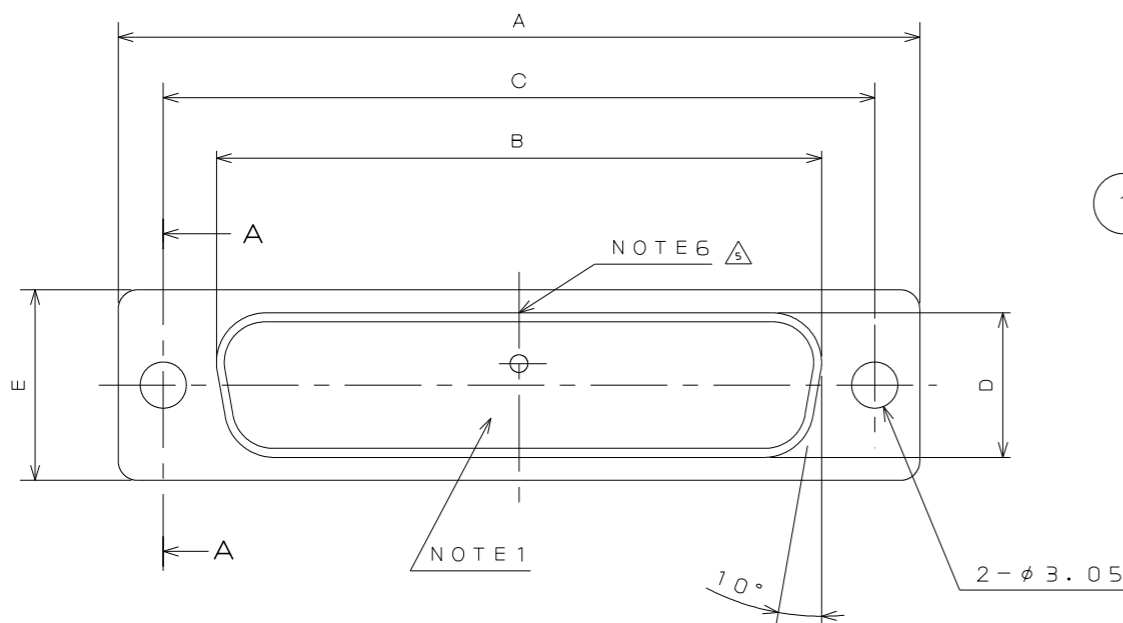
Address: A1208, Overseas Decoration Building, #122 Zhenhua RD., Futian, Shenzhen, China



Z60810JS

('ON 0NIMVHD) 台機理図

版数 VER.	年月日 DATE	CN NO.	変更内容 DESCRIPTION	製図 DR.	担当 CHK.	査閲 APPD.	承認 APPD.
5	27.Jul.2000	46566	ADDED NOTE 6. REDRAWN		Y.SATOU	Y.KUBOTA	Y.HAYASHI
6	4.Oct.2013	007733	CHANGE OF MATERIAL NOTATION	M.MATSUMOTO	M.TANAKA	O.TAKAGI	T.MIYASHITA



△ LOT NUMBERING

ロット番号付与方法

J 5 9 1

MONTHLY LOT NO. (1,2,3...9,0,A,B...EXCEPT I AND O)
月のロット番号 (1,2,3...9,0,A,B...但し、IとOは除く)

PRODUCTION MONTH (JAN=1, FEB=2...OCT=0, NOV=X, DEC=Y)
生産月 (1月=1, 2月=2...10月=0, 11月=X, 12月=Y)

YEAR (1995)
西暦年 (1995)

INDICATION OF ASSEMBLY SECTION
組立部門識別表示

TABLE 1

PART NUMBER	DIMENSION IN MILLIMETERS							
	±0.5 A	±0.25 B	C	±0.25 D	±0.5 E	F	G	H
DEU-9SF-FO	30.8	16.26	24.99	7.82	12.6	19.3	10.7	1.2
DAU-15SF-FO	39.1	24.59	33.32	7.82	12.6	27.5	10.7	1.2
DBU-25SF-FO	53.0	38.30	47.04	7.82	12.6	41.3	10.7	1.2
DCU-37SF-FO	69.3	54.76	63.50	7.82	12.6	57.7	10.7	1.2
DDU-50SF-FO	66.9	52.34	61.11	10.65	15.4	55.3	13.9	1.2

- NOTE 1. MARK THE COMPANY NAME AND ABBREVIATED PART NUMBER AT THE LOCATION SHOWN IN THE DRAWING.
2. CONTACTS ARE NOT SUPPLIED WITH CONNECTORS. PLEASE DEMAND NECESSARY NUMBER OF CONTACTS ON ANOTHER ORDER.
3. FOR CONTACT ARRANGEMENT, SEE DWG. NO. SJ010210.
4. INSULATOR MATERIAL OF "UL STANDARDS". STANDARD OF BURNING: UL94V-0
5. FOR PANEL CUT-OUT DIMENSION, SEE DWG. NO. SJ013596.
- △ 6. PRODUCTION LOT NUMBER IS ENGRAVED AS INDICATED.

- 注 1. 図示の位置に社名及び、品名略称を表示する。
2. コンタクトは添付されない為、別オーダーで所要数を要求のこと。
3. インサート配列は SJ010210 を参照のこと。
4. インシュレータ材料は UL 規格認定品の次の材料を使用。
燃焼性規格...UL94V-0
5. パネル取付穴寸法は SJ013596 を参照のこと。
- △ 6. 図示の位置にロット NO. を刻印する。

DESIGNATION

命名法

D * U - * SF - FO

NO CONTACTS (SEE NOTE 3)
コンタクト無し

MODIFICATION CODE
特殊記号

CONTACT TYPE
(S: SOCKET, P: PIN)
コンタクト区分

INSERT ARRANGEMENT
インサート配列

CONNECTOR TYPE
コネクタタイプ

SHELL SIZE
シェルサイズ

SERIES
シリーズ

5	REAR INSULATOR	1	GLASS FILLED NYLON	(COLOR:BLACK)	NOTE 4
4	REAR SHELL	1	STEEL	NICKEL PLATING	
3	FRONT INSULATOR	1	GLASS FILLED PBT △	(COLOR:BLACK)	NOTE 4
2	FRONT SHELL	1	STEEL	NICKEL PLATING	
1	CONTACT	NOTE 2	COPPER ALLOY	GOLD OVER NICKEL PLATING	
符号 NO.	名称 DESCRIPTION	個数 QTY.	材料 MATERIAL	仕上 FINISH	備考 REMARKS
仕様書 (SPECIFICATION) JACS-3019-1 (MACHINE) JACS-11-3 (PRESS)		第1版 (ORIGINAL DATE) 26.Mar.1983		尺度 (SCALE) 2:1	シリーズ (SERIES) Dsup
一般公差 (GENERAL TOLERANCE)		製図 DR.	KOMATSU	名称 (TITLE) D * U - * SF - FO	
寸法 (DIMENSION)		担当 CHK.	TASHIRO	日本航空電子工業株式会社 JAPAN AVIATION ELECTRONICS INDUSTRY, LTD.	
角度 (ANGLES)		査閲 APPD.	NISHINO		
. ±0.8		承認 APPD.	KANEDA		
.X ±0.4					
.XX ±0.1		単位 (UNIT): mm		質量 (MASS)	図面番号 (DRAWING NO.) SJ018092
.XXX ±					版数 (VER.) 6