



Chipsmall Limited consists of a professional team with an average of over 10 year of expertise in the distribution of electronic components. Based in Hongkong, we have already established firm and mutual-benefit business relationships with customers from,Europe,America and south Asia,supplying obsolete and hard-to-find components to meet their specific needs.

With the principle of “Quality Parts,Customers Priority,Honest Operation,and Considerate Service”,our business mainly focus on the distribution of electronic components. Line cards we deal with include Microchip,ALPS,ROHM,Xilinx,Pulse,ON,Everlight and Freescale. Main products comprise IC,Modules,Potentiometer,IC Socket,Relay,Connector.Our parts cover such applications as commercial,industrial, and automotives areas.

We are looking forward to setting up business relationship with you and hope to provide you with the best service and solution. Let us make a better world for our industry!



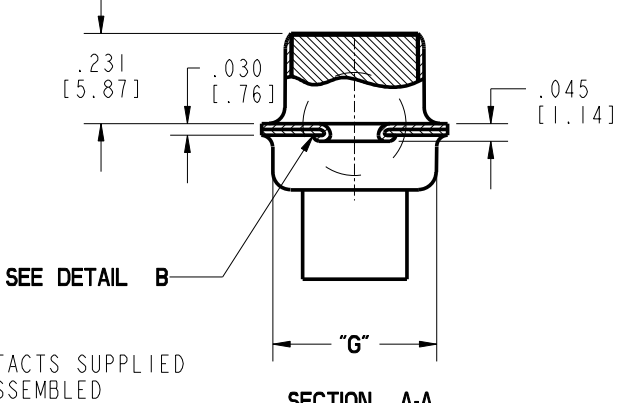
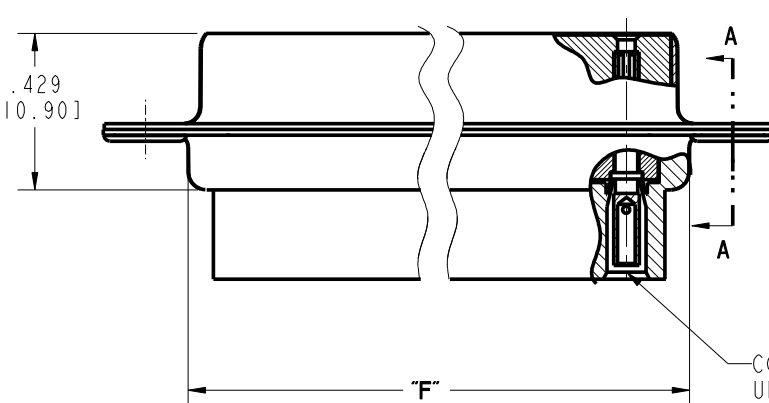
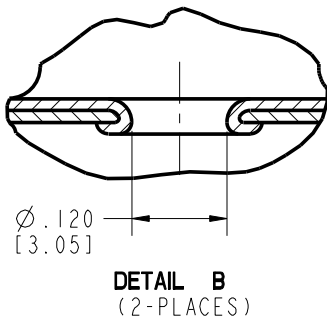
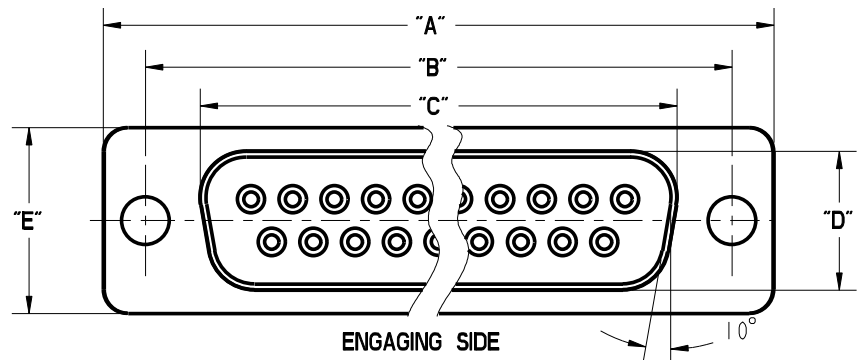
Contact us

Tel: +86-755-8981 8866 Fax: +86-755-8427 6832

Email & Skype: info@chipsmall.com Web: www.chipsmall.com

Address: A1208, Overseas Decoration Building, #122 Zhenhua RD., Futian, Shenzhen, China





NOTES:

1. SPECIFICATIONS:

ELECTRICAL:
 WITHSTANDING VOLTAGE: MINIMUM 1000 V RMS @ SEA LEVEL
 INSULATION RESISTANCE: INITIAL 5000 MEGOHMS MAXIMUM,
 1000 MEGOHMS MIN. AFTER ENVIRONMENTAL TESTING.
 CONTACT RATING: 5 AMPS
 CONTACT RESISTANCE: 2.7 MILLIOHMS MAX.

MATERIALS:
 INSULATOR: BLACK UL94V-0 RATED GLASS FILLED NYLON
 CONTACT(O30-1953-000): COPPER ALLOY
 CONTACT AREA PLATING: GOLD OVER NICKEL,
 CONNECTOR SHELL: STEEL, PLATING ZINC WITH CLEAR CHROMATE.

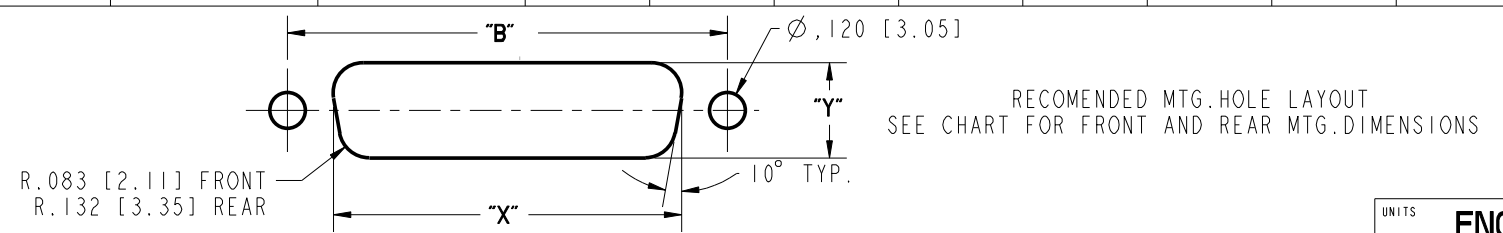
ENVIRONMENTAL:
 OPERATING TEMPERATURE: -65°C TO +125°C

TERMINATION:
 CRIMP WILL ACCOMMODATE # 20 TO 28 AWG WIRE.
 TERMINATION-TOOLS:
 CRIMP TOOL: M22520/2-01
 INSERTION/EXTRACTION TOOL: CIET-20-HDB
 POSITIONER: EP-580

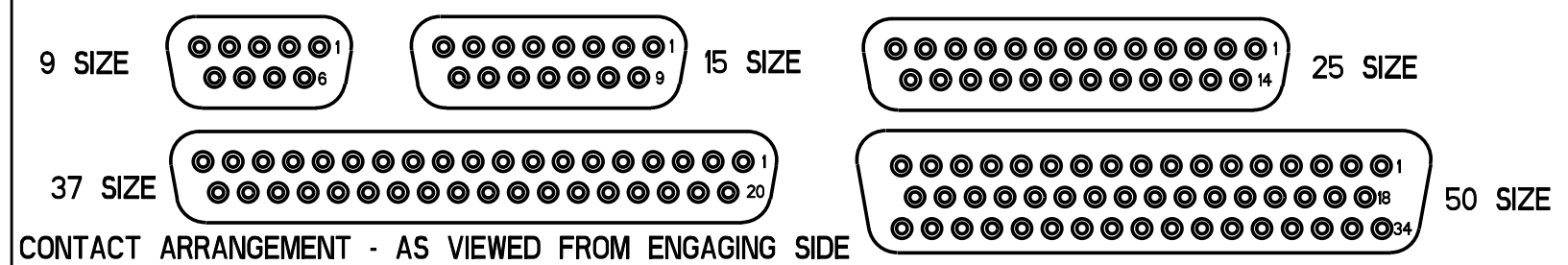
2. DIMENSIONS IN [] ARE IN MILLIMETERS.

DRAWING REVISIONS			
REV	DOCUMENT	APP	DATE
A	DO 05-1094	AKB	1/7/06
B	ECN 06E208		

NUMBER OF POSITIONS	SELECTIVE GOLD FLASH PLATING (.120" [3.05] MTG. HOLES)		CONTACTS	DIMENSION							FRONT MOUNTING HOLE DIMENSIONS		REAR MOUNTING HOLE DIMENSIONS																																					
	PART NO.	FACTORY NO.		"A"	"B"	"C"	"D"	"E"	"F"	"G"	"X"	"Y"	"X"	"Y"																																				
9	DEUH-9S	702 13 09 001	INCLUDED	1.213	.984	.640	.308 [7.82]	.494 [12.55]	.759 [19.28]	.422 [10.72]	.874 [22.20]	.513 [13.03]	.806 [20.47]	.449 [11.40]																																				
	DEUH-9S-FO	702 13 09 005	NOT INCLUDED	[30.81]	[24.99]	[16.26]									[19.28]	[22.20]	[20.47]																																	
15	DAUH-15S	702 13 15 001	INCLUDED	1.541	1.312	.968									.308 [7.82]	.494 [12.55]	1.083 [27.51]	.422 [10.72]	1.202 [30.53]	.513 [13.03]	1.134 [28.80]	.449 [11.40]																												
	DAUH-15S-FO	702 13 15 005	NOT INCLUDED	[39.14]	[33.32]	[24.59]																	[27.51]	[30.53]	[28.80]																									
25	DBUH-25S	702 13 25 001	INCLUDED	2.088	1.852	1.508																	.308 [7.82]	.494 [12.55]	1.625 [41.28]	.422 [10.72]	1.743 [44.27]	.513 [13.03]	1.674 [42.52]	.449 [11.40]																				
	DBUH-25S-FO	702 13 25 005	NOT INCLUDED	[53.04]	[47.04]	[38.30]																									[41.28]	[44.27]	[42.52]																	
37	DCUH-37S	702 13 37 001	INCLUDED	2.729	2.500	2.156																									.308 [7.82]	.494 [12.55]	2.272 [57.71]	.422 [10.72]	2.391 [60.73]	.513 [13.03]	2.326 [59.08]	.449 [11.40]												
	DCUH-37S-FO	702 13 37 005	NOT INCLUDED	[69.32]	[64.50]	[54.76]																																	[57.71]	[60.73]	[59.08]									
50	DDUH-50S	702 13 50 001	INCLUDED	2.635	2.406	2.062																																	.308 [7.82]	.494 [12.55]	.534 [13.56]	.422 [10.72]	2.297 [58.34]	.623 [15.82]	2.218 [56.34]	.555 [14.10]				
	DDUH-50S-FO	702 13 50 005	NOT INCLUDED	[66.93]	[61.11]	[52.37]																																									[13.56]	[58.34]	[15.82]	[56.34]



ROHS COMPLIANT



UNITS	ENGLISH	PRO/E	Cinch	
DO NOT SCALE DRAWING	DRAWN BY V. SKUZA	DATE 06/24/05	TITLE D*U SERIES CRIMP & POKE CONNECTOR SKT. ASS'Y (.120" MTG HOLES)	
	DESIGN ENGINEER A. BALI	06/24/05	MATERIAL CONTROL SPEC NUMBER	
	DESIGN ENGINEERING MGR. A. SHAH	07/09/05	MATERIAL SPEC NUMBER	FINISH PROJECT NUMBER C14740
	MFG. ENGINEERING J. OCEGUERA	07/07/05	CAD FILE NUMBER DXUH-XXS	DRAWING NUMBER D*UH-XXS
	QUALITY ASSURANCE A. VAZQUEZ	07/06/05	CAGE IDENT NO. SIZE 71785 B	SCALE 1:1 SHEET 1 OF 1

MODELED BY:
V. SKUZA

1700 FINLEY RD
LOMBARD, IL. 60148

THIS DOCUMENT IS THE PROPERTY OF CINCH. NEITHER THIS DOCUMENT NOR ANY OF THE INFORMATION CONTAINED IN IT MAY BE DUPLICATED OR DISCLOSED WITHOUT PRIOR WRITTEN CONSENT OF CINCH.