



Chipsmall Limited consists of a professional team with an average of over 10 year of expertise in the distribution of electronic components. Based in Hongkong, we have already established firm and mutual-benefit business relationships with customers from,Europe,America and south Asia,supplying obsolete and hard-to-find components to meet their specific needs.

With the principle of “Quality Parts,Customers Priority,Honest Operation,and Considerate Service”,our business mainly focus on the distribution of electronic components. Line cards we deal with include Microchip,ALPS,ROHM,Xilinx,Pulse,ON,Everlight and Freescale. Main products comprise IC,Modules,Potentiometer,IC Socket,Relay,Connector.Our parts cover such applications as commercial,industrial, and automotives areas.

We are looking forward to setting up business relationship with you and hope to provide you with the best service and solution. Let us make a better world for our industry!



Contact us

Tel: +86-755-8981 8866 Fax: +86-755-8427 6832

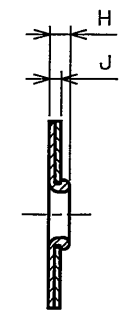
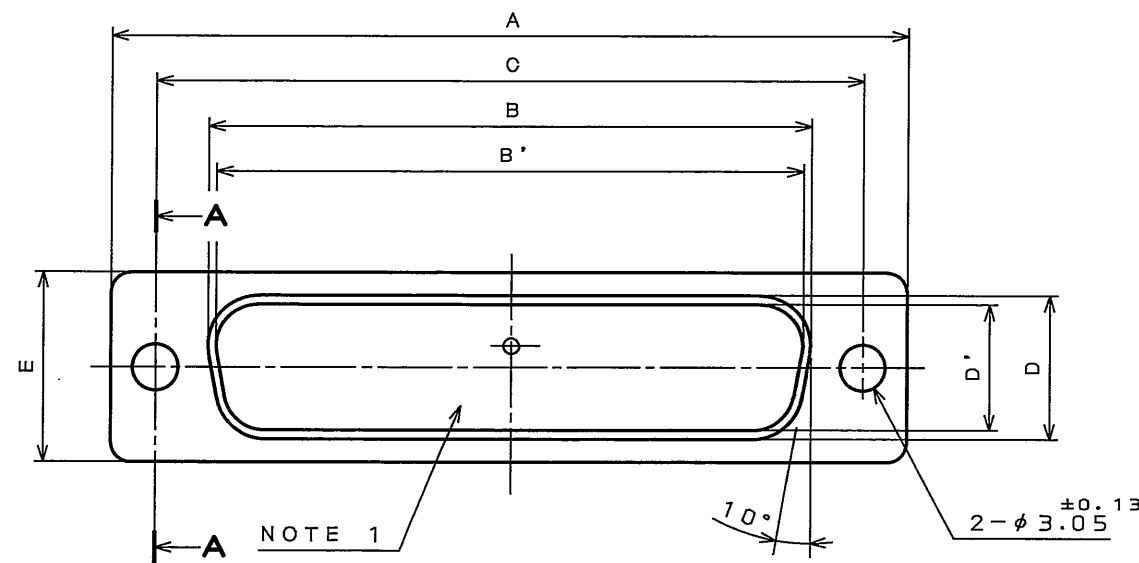
Email & Skype: info@chipsmall.com Web: www.chipsmall.com

Address: A1208, Overseas Decoration Building, #122 Zhenhua RD., Futian, Shenzhen, China



8E7101738
('ON 0NIMVHD) 台票理図

版数 REV.	年月日 DATE	DCN NO.	変更内容 DESCRIPTION	製図 DR.	担当 CHK.	査閲 APPD.	承認 APPD.
2	13.Oct.2005	058374	ADD NOTES		Y.TAKA01	A.TA00	Y.KUBOTA
3	7.Feb.2006	059319	CORRECT AN ERROR		Y.TAKA01	<i>A. Tago</i>	<i>Y. Kubota</i>



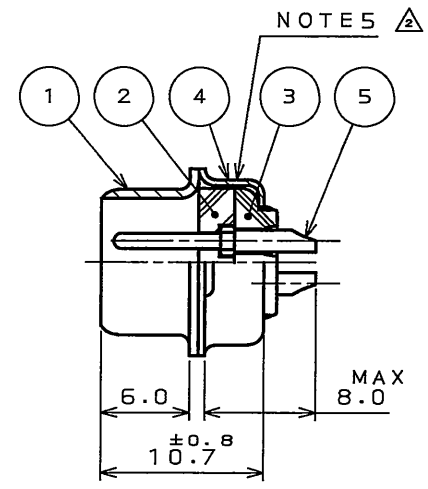
SECT. A-A

- NOTE 1. MARK THE COMPANY NAME AND ABBREVIATED PART NUMBER AT THE LOCATION SHOWN IN THE DRAWING.
 2. APPLICABLE WIRE SIZE :AWG #20MAX. (THE ONLY CASE OF STANDARD CONTACT)
 3. FOR CONTACT ARRANGEMENT, SEE DWG. NO. SJ010199.
 4. FOR PANEL OUT-OUT DIMENSION , SEE DWG. NO. SJ013596.
 5. LOT NUMBER AT THE LOCATION SHOWN IN THE DRAWING.

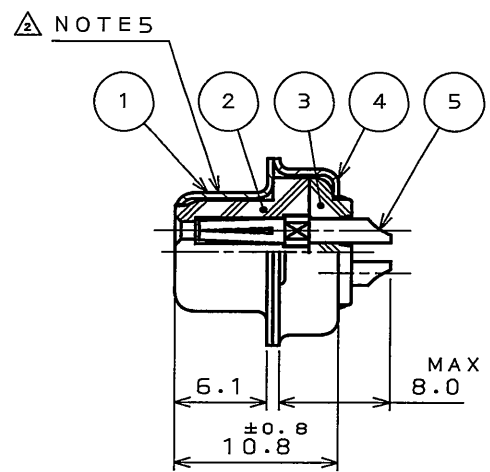
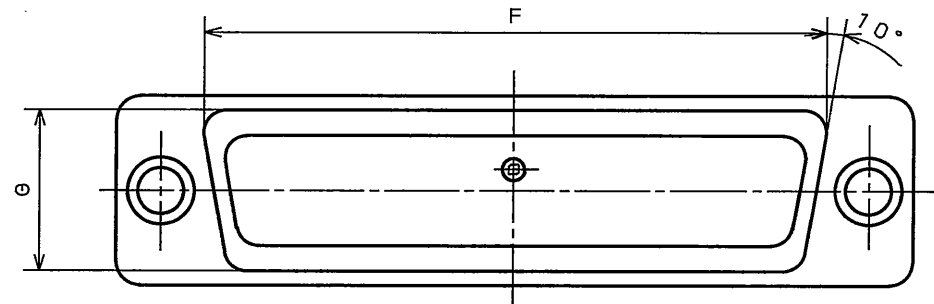
- 注1. 図示の位置に社名及び、品名略称を表示する。
 2. 本コネクタ用使用電線はAWG#20以下のこと。
 3. インサート配列SJ010210を参照のこと。
 4. パネル取付穴寸法はSJ013596を参照のこと。
 5. 図示の位置にロット番号を表示する。

TABLE 1

PART NUMBER	DIMENSION IN MILLIMETERS											NUMBER OF CONTACTS
	±0.5 A	±0.25 B	±0.25 B'△	C	±0.25 D	±0.25 D'	±0.5 E	F	G	H	J	
DE-9PR	30.8	—	16.90	24.99	—	8.34	12.6	19.3	10.7	1.2	0.8	9
DE-9SR	30.8	16.26	—	24.99	7.82	—	12.6	19.3	10.7	1.2	0.8	9
DA-15PR	39.1	—	25.24	33.32	—	8.34	12.6	27.5	10.7	1.2	0.8	15
DA-15SR	39.1	24.59	—	33.32	7.82	—	12.6	27.5	10.7	1.2	0.8	15
DB-25PR	53.0	—	39.01	47.04	—	8.40	12.6	41.3	10.7	1.5	1.0	25
DB-25SR	53.0	38.30	—	47.04	7.82	—	12.6	41.3	10.7	1.2	0.8	25
DC-37PR	69.3	—	55.47	63.50	—	8.40	12.6	57.7	10.7	1.5	1.0	37
DC-37SR	69.3	54.76	—	63.50	7.82	—	12.6	57.7	10.7	1.2	0.8	37
DD-50PR	66.9	—	52.86	61.11	—	11.16	15.4	55.3	13.9	1.5	1.0	50
DD-50SR	66.9	52.34	—	61.11	10.65	—	15.4	55.3	13.9	1.2	0.8	50

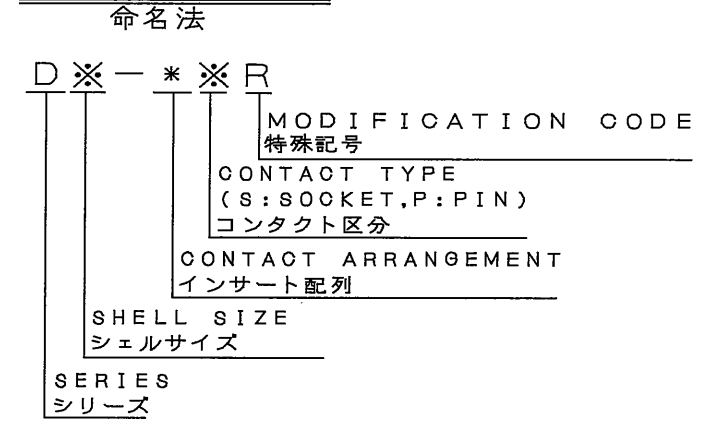


PIN INSERT VERSION
ピンインサートの場合



SOCKET INSERT VERSION
ソケットインサートの場合

DESIGNATION



5	CONTACT	TABLE 1	COPPER ALLOY	GOLD PLATING	NOTE 3
4	REAR SHELL	1	STEEL	HEXAVALENT CHROMIUM FREE OHROMATE (TRIVALENT OHROMATE TREATMENT) ELECTROPLATED ZINC	
3	REAR INSULATOR	1	GLASS FILLED NYLON	NONE	
2	FRONT INSULATOR	1	GLASS FILLED NYLON	NONE	
1	FRONT SHELL	1	STEEL	HEXAVALENT CHROMIUM FREE OHROMATE (TRIVALENT OHROMATE TREATMENT) ELECTROPLATED ZINC	
符号 NO.	名称 DESCRIPTION	個数 QTY.	材料 MATERIAL	仕上 FINISH	備考 REMARKS
仕様書 (SPECIFICATION)	JACS-1045	第1版 (ORIGINAL DATE)	24.Jun.2005	尺度 (SCALE)	2:1
製図 DR.		製図 DR.		シリーズ (SERIES)	Dsub
一般公差 (GENERAL TOLERANCE)		担当 CHK.	Y.TAKA01	名称 (TITLE)	
寸法 (DIMENSION)	角度 (ANGLES)	査閲 APPD.		D * - * * R	
. ±	X° ± 1°	承認 APPD.	Y.KUBOTA	質量 (MASS)	
.X ±0.4	X°X' ±				
.XX ±0.13					
.XXX ±					
図面番号 (DRAWING NO.)				SJ101738	
版数 (REV.)				3	

DOF-0-212F(05.08)

