



Chipsmall Limited consists of a professional team with an average of over 10 year of expertise in the distribution of electronic components. Based in Hongkong, we have already established firm and mutual-benefit business relationships with customers from,Europe,America and south Asia,supplying obsolete and hard-to-find components to meet their specific needs.

With the principle of “Quality Parts,Customers Priority,Honest Operation,and Considerate Service”,our business mainly focus on the distribution of electronic components. Line cards we deal with include Microchip,ALPS,ROHM,Xilinx,Pulse,ON,Everlight and Freescale. Main products comprise IC,Modules,Potentiometer,IC Socket,Relay,Connector.Our parts cover such applications as commercial,industrial, and automotives areas.

We are looking forward to setting up business relationship with you and hope to provide you with the best service and solution. Let us make a better world for our industry!



## Contact us

Tel: +86-755-8981 8866 Fax: +86-755-8427 6832

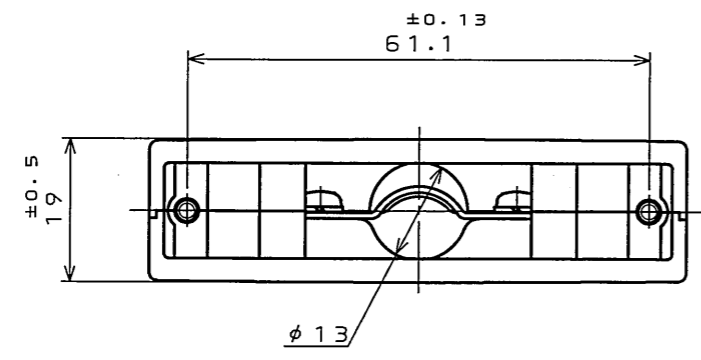
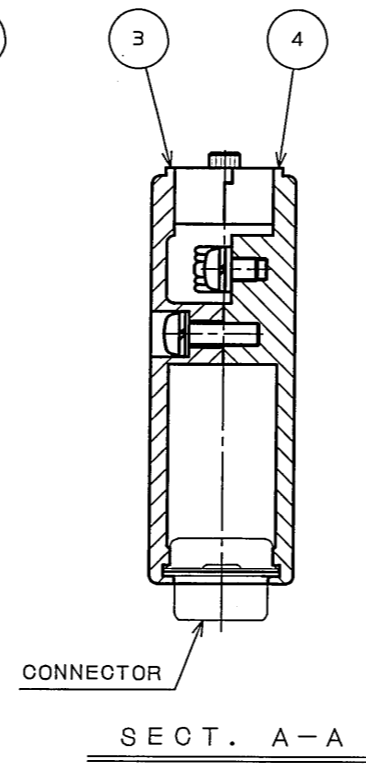
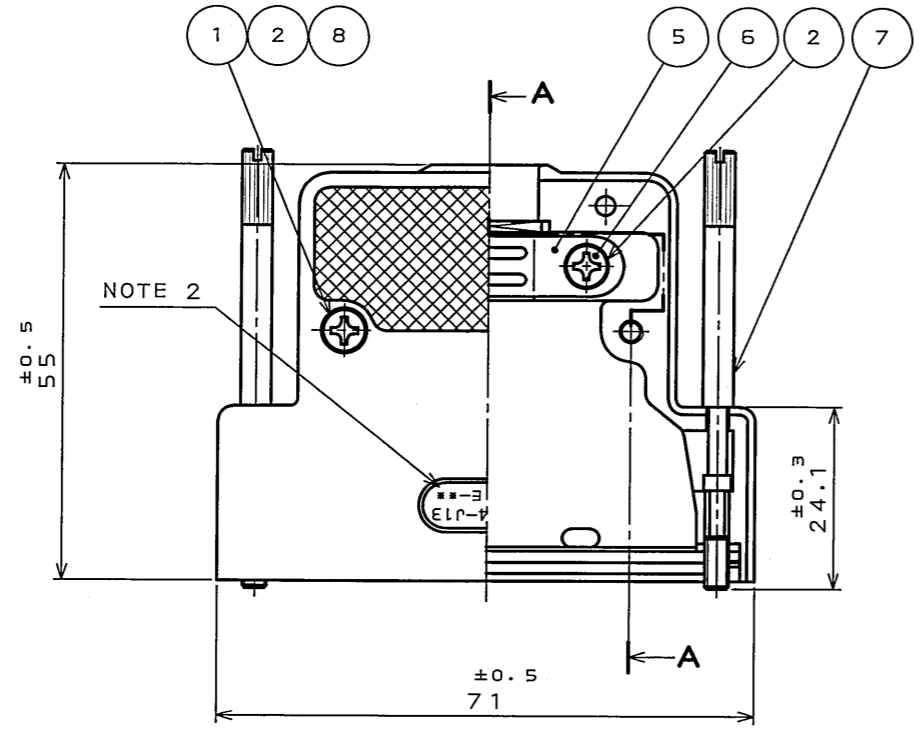
Email & Skype: info@chipsmall.com Web: www.chipsmall.com

Address: A1208, Overseas Decoration Building, #122 Zhenhua RD., Futian, Shenzhen, China



ES12013S  
(ON 01MVR0)台機図

版数 REV.	年月日 DATE	DCN NO.	変更内容 DESCRIPTION	製図 DR.	担当 CHK.	査閲 APPD.	承認 APPD.
2	30.Jun.2005	057603	REDRAWN	H.SAKURADA	T.NOMIYAMA	—	<i>T. Kaneda</i>



NOTE 1. APPLICABLE CABLE DIAMETER SHALL BE  $\phi 11 \sim \phi 13$ .  
 CABLE DIAMETER SHOWN HERE IS WHEN THE SHIELD IS BENT.  
 2. COMPANY LOGO AND PART NUMBER ARE MARKED AT THE LOCATION SHOWN IN THE DRAWING.  
 "F1-1" IN THE PART NUMBER IS MARKED.  
 3. THIS PART IS NOT ASSEMBLED, BUT ATTACHED.

注1. 適用ケーブル径範囲は $\phi 11$ 以上 $\sim \phi 13$ 以下迄とする。  
 尚、ケーブル径についてはシールドを折り返した時の寸法を示す。  
 2. 図示の位置に社標及び、品名を表示する。但し、品名の"-F1-1"は捺印とする  
 3. 本部品は組立てせず添付品とする。

符号 NO.	名称 DESCRIPTION	個数 QTY.	材料 MATERIAL	仕上 FINISH	備考 REMARKS
8	FLAT WASHER	2	STEEL	NICKEL PLATING	FOR M3
7	SCREW LOCK	2	STEEL	NICKEL PLATING	#4-40
6	CROSS PAN HEAD SCREW	2	STEEL	NICKEL PLATING	M3×5
5	CLAMP SADDLE	1	STEEL	NICKEL PLATING	
4	HOOD(LOWER)	1	ALUMINUM DIECAST	SATIN NICKEL PLATING	
3	HOOD(UPPER)	1	ALUMINUM DIECAST	SATIN NICKEL PLATING	
2	SPRING WASHER	4	STEEL	NICKEL PLATING	
1	CROSS PAN HEAD SCREW	2	BRASS	NICKEL PLATING	M3×10

仕様書 (SPECIFICATION) T83-4	第1版 (ORIGINAL DATE) 9.Sep.1986	尺度 (SCALE) 1:1	シリーズ (SERIES) D-sub	日本航空電子工業株式会社 JAPAN AVIATION ELECTRONICS INDUSTRY, LTD.
公差 (GENERAL TOLERANCE)	製図 DR. J.HAYAKAWA	名称 (TITLE) DD-C4-J13-F1-1		
寸法 (DIMENSION)	担当 CHK. OOTUKA TAKEUCHI			
角度 (ANGLES)	査閲 APPD. Y.NISHINO			
. ± 0.5 .X ± 0.5 .XX ± .XXX ±	承認 APPD. T.KANEDA	質量 (MASS)		図面番号 (DRAWING NO.) SJ021353
				版数 (REV.) 2

DOF-0-212E(03.08)

