



Chipsmall Limited consists of a professional team with an average of over 10 year of expertise in the distribution of electronic components. Based in Hongkong, we have already established firm and mutual-benefit business relationships with customers from,Europe,America and south Asia,supplying obsolete and hard-to-find components to meet their specific needs.

With the principle of “Quality Parts,Customers Priority,Honest Operation,and Considerate Service”,our business mainly focus on the distribution of electronic components. Line cards we deal with include Microchip,ALPS,ROHM,Xilinx,Pulse,ON,Everlight and Freescale. Main products comprise IC,Modules,Potentiometer,IC Socket,Relay,Connector.Our parts cover such applications as commercial,industrial, and automotives areas.

We are looking forward to setting up business relationship with you and hope to provide you with the best service and solution. Let us make a better world for our industry!



Contact us

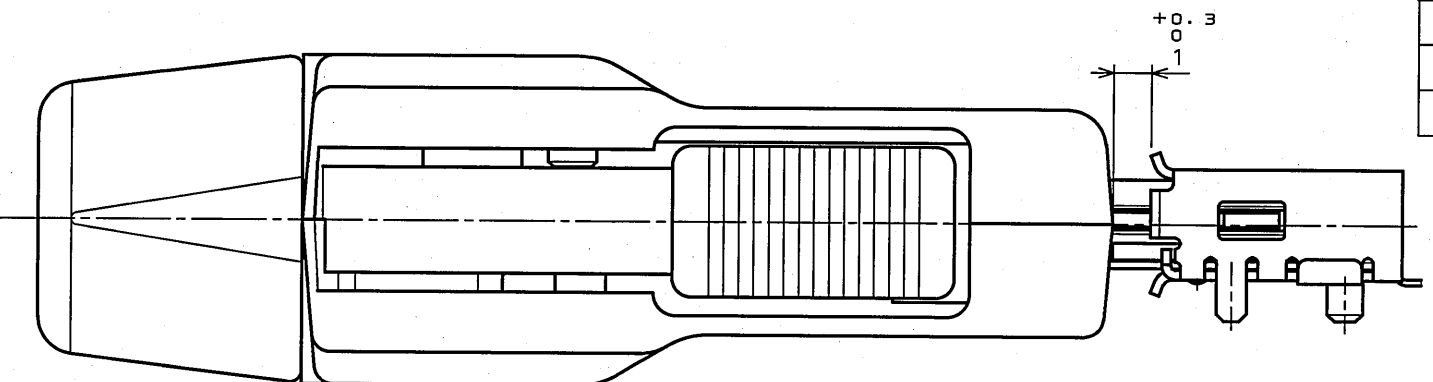
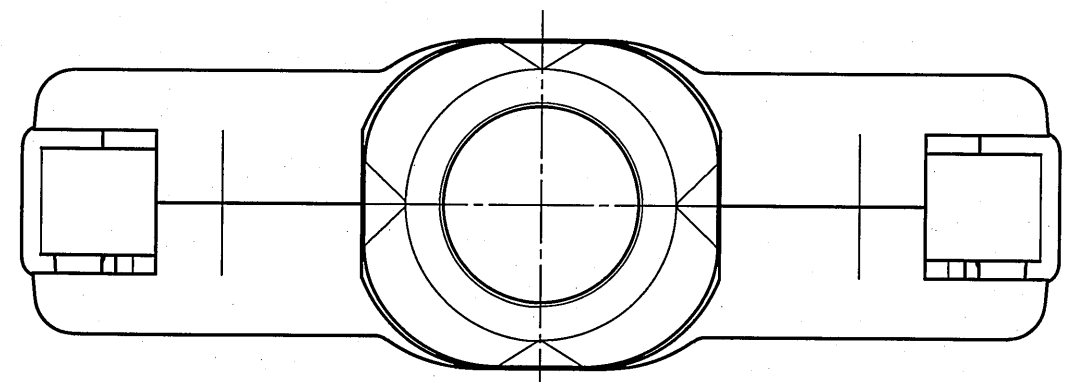
Tel: +86-755-8981 8866 Fax: +86-755-8427 6832

Email & Skype: info@chipsmall.com Web: www.chipsmall.com

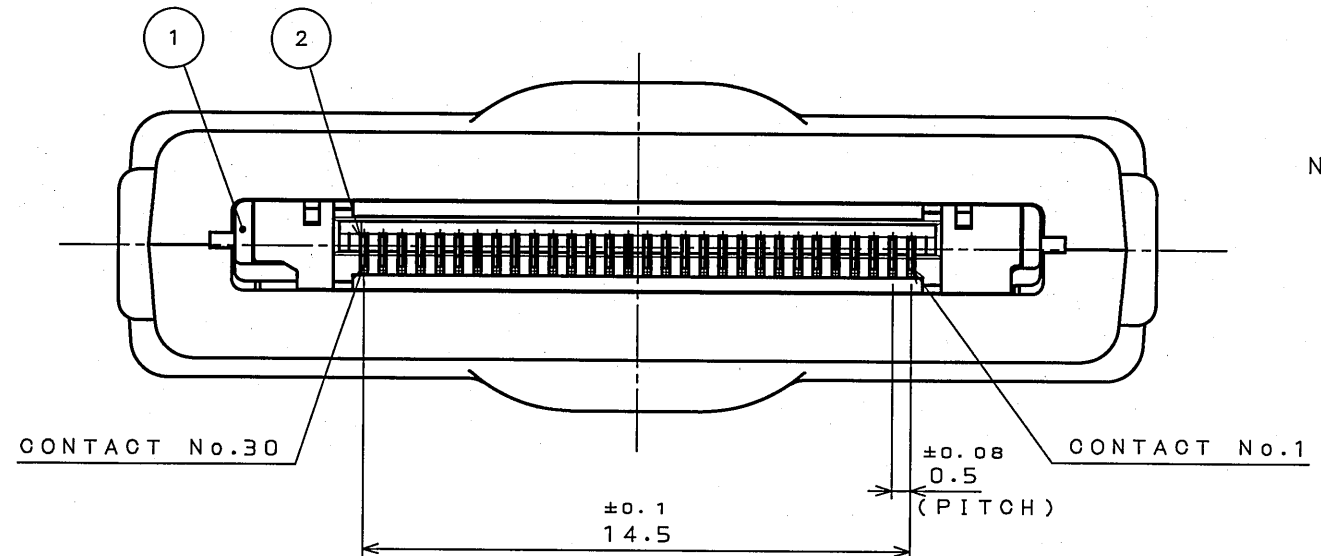
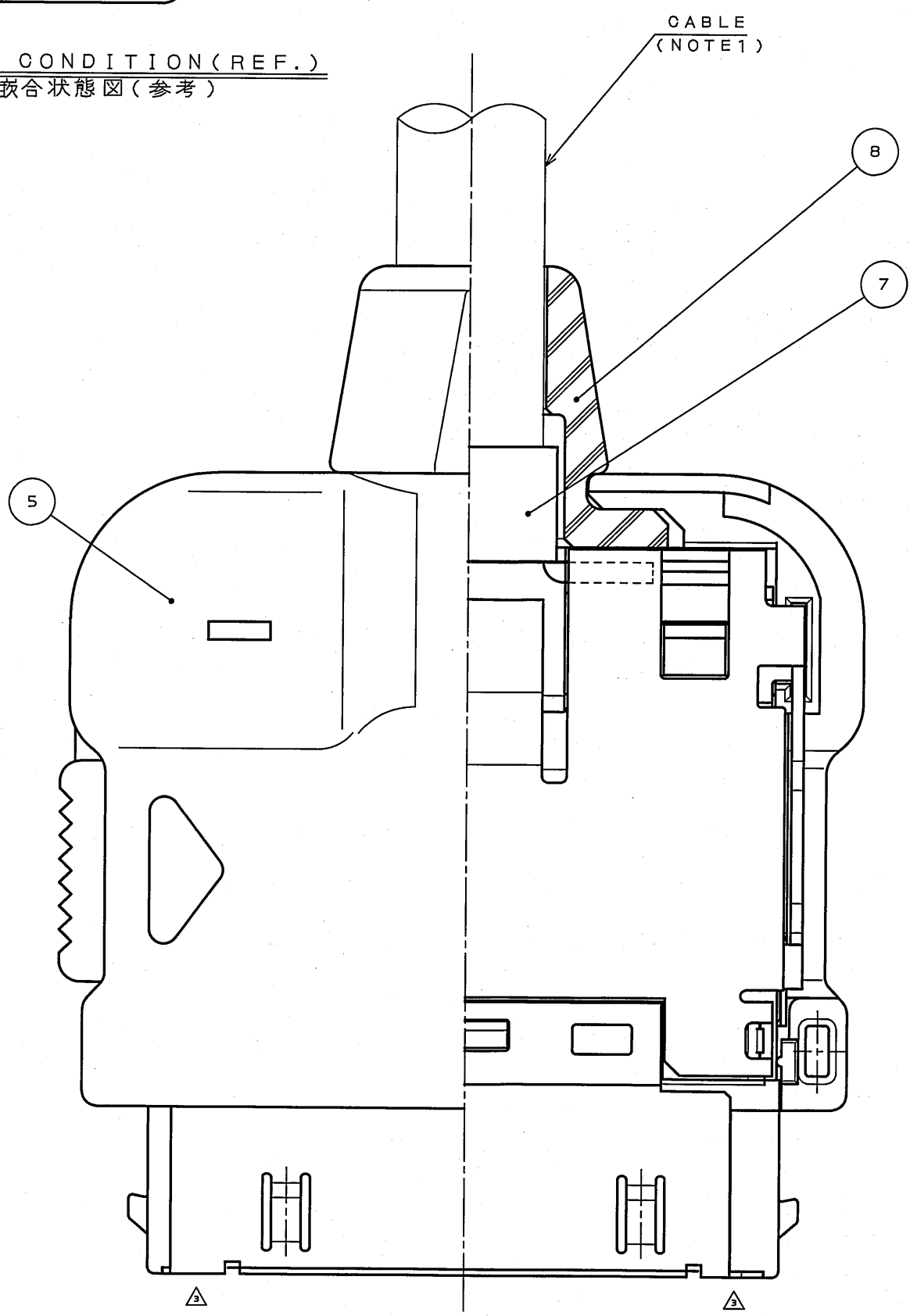
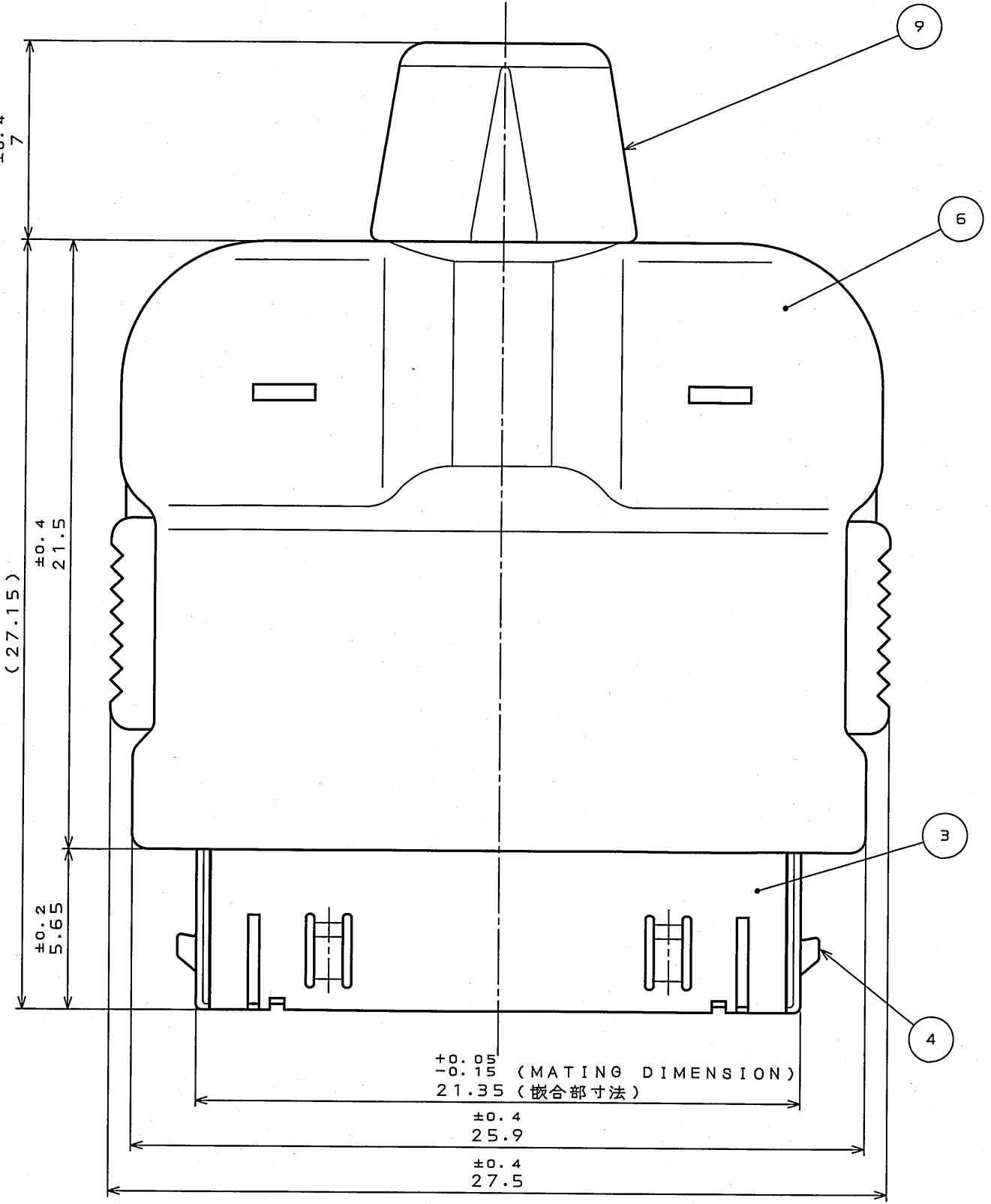
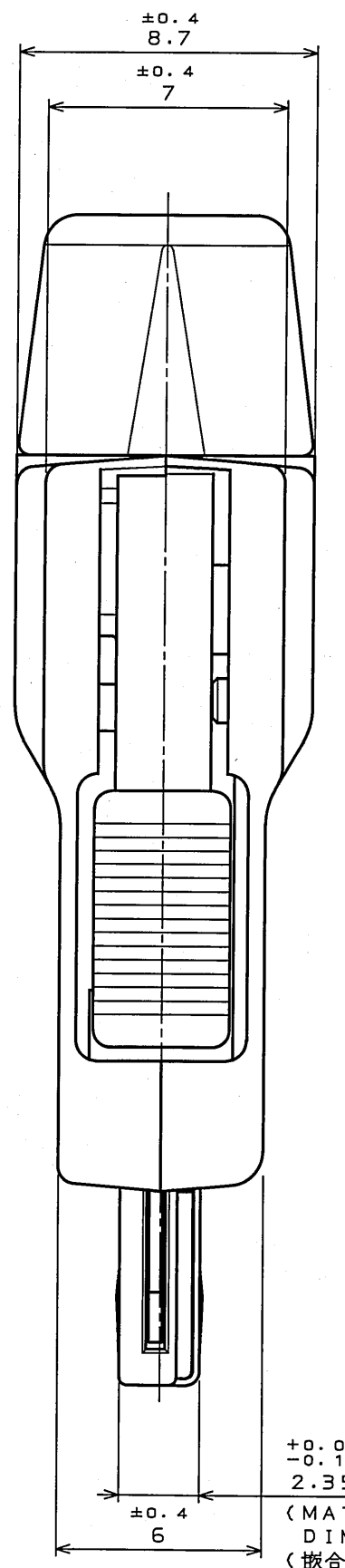
Address: A1208, Overseas Decoration Building, #122 Zhenhua RD., Futian, Shenzhen, China



版数 REV.	年月日 DATE	DCN NO.	変更内容 DESCRIPTION	製図 DR.	担当 CHK.	査閲 APPD.	承認 APPD.
2	2.Dec.2004	056340	CORRECTED FINISH		Y.KUROKI		I.IIMORI
3	15.Mar.2005	056934	SHAPE CHANGE		Y.KUROKI		G.Haga



MATED CONDITION (REF.)
嵌合状態図(参考)



NOTE1. OUTER DIAMETER OF THE APPLICABLE CABLE: $\phi 5 \pm 0.2$.
 2. THE INSULATOR ASSEMBLED WITH CONTACT IS SUPPLIED. THE OTHER PARTS ARE ATTACHED.
 注1. 適合ケーブル仕上がり外形: $\phi 5 \pm 0.2$.
 2. コンタクトは、インシュレータに組み込まれた状態で納入される。その他の部品は、バラの状態での納入される。

NO.	DESCRIPTION	QTY.	MATERIAL	仕上 FINISH	備考 REMARKS
8	BUSHING	1	PVC	(BLACK)	UL94V-0
7	CLAMP BARREL	1	COPPER ALLOY	NICKEL PLATING	
6	HOOD B	1	PC	(BLACK)	UL94V-0
5	HOOD A	1	PC	(BLACK)	UL94V-0
4	LOCK SPRING	1	STAINLESS STEEL	NICKEL PLATING	
3	SHELL	1	STAINLESS STEEL	NICKEL PLATING	
2	CONTACT	30	COPPER ALLOY	CONTACT AREA: GOLD OVER NICKEL TERMINAL AREA: GOLD FLASH PLATING	△
1	INSULATOR	1	PT NYLON	(BLACK)	UL94V-0

符号 NO.	名称 DESCRIPTION	個数 QTY.	材料 MATERIAL	仕上 FINISH	備考 REMARKS
△	JACS-3285				
仕様書 (SPECIFICATION)		第1版 (ORIGINAL DATE)		尺度 (SCALE)	シリーズ (SERIES)
		4.Mar.2004		5:1	DD1
製図 DR.		担当 CHK.		名称 (TITLE)	
		Y.KUROKI		DD1P030MA1	
公差 (GENERAL TOLERANCE)		査閲 APPD.		承認 APPD.	
寸法 (DIMENSION)		H.AMEMIYA		質量 (MASS)	
· ±	×° ±			図面番号 (DRAWING NO.)	
·X ±	××° ±			SJ100603	
·XX ±	×××° ±			版数 (REV.)	
·XXX ±				3	

DOF-0-213E(03.08)

