



Chipsmall Limited consists of a professional team with an average of over 10 year of expertise in the distribution of electronic components. Based in Hongkong, we have already established firm and mutual-benefit business relationships with customers from,Europe,America and south Asia,supplying obsolete and hard-to-find components to meet their specific needs.

With the principle of “Quality Parts,Customers Priority,Honest Operation,and Considerate Service”,our business mainly focus on the distribution of electronic components. Line cards we deal with include Microchip,ALPS,ROHM,Xilinx,Pulse,ON,Everlight and Freescale. Main products comprise IC,Modules,Potentiometer,IC Socket,Relay,Connector.Our parts cover such applications as commercial,industrial, and automotives areas.

We are looking forward to setting up business relationship with you and hope to provide you with the best service and solution. Let us make a better world for our industry!



Contact us

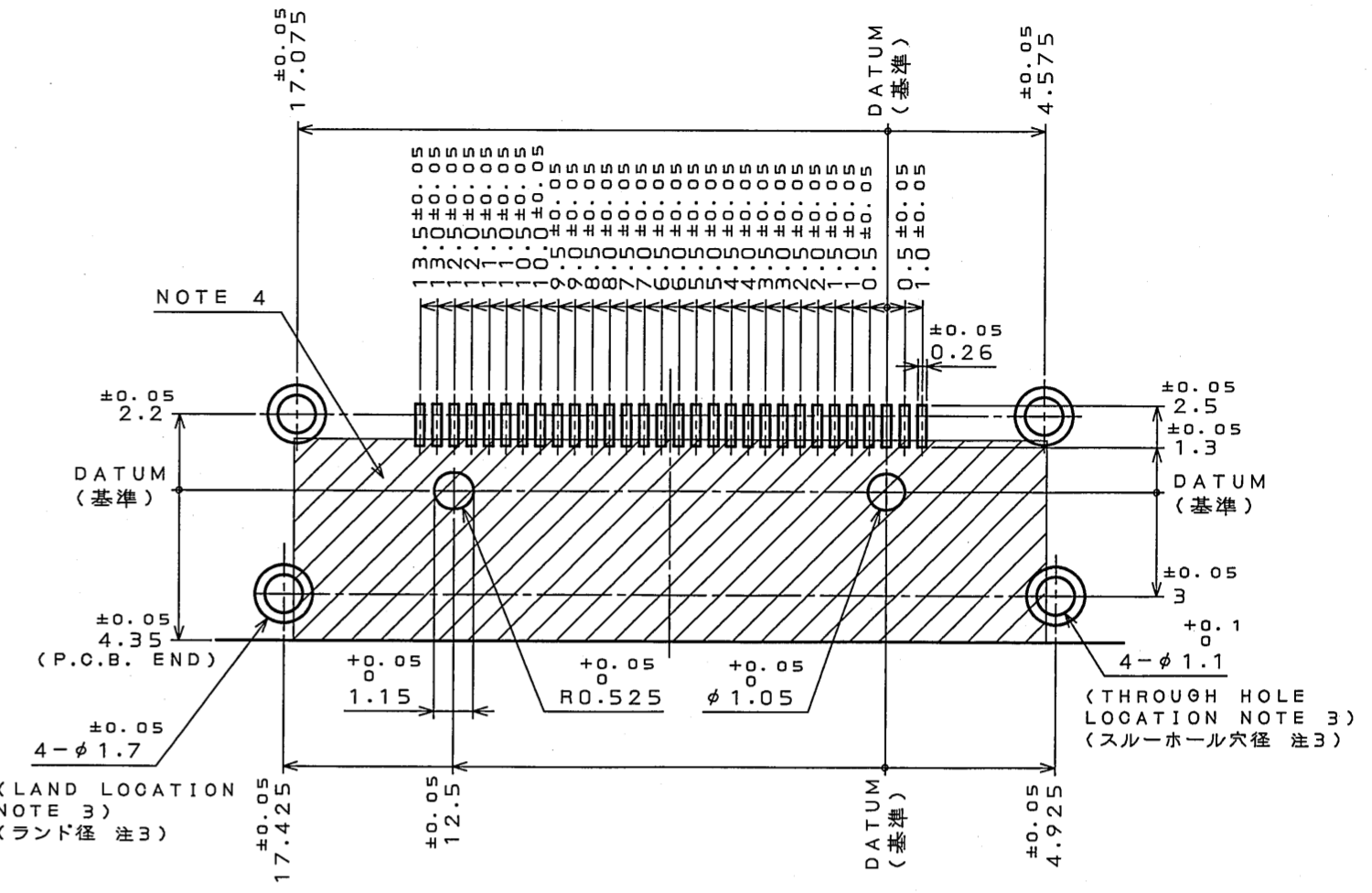
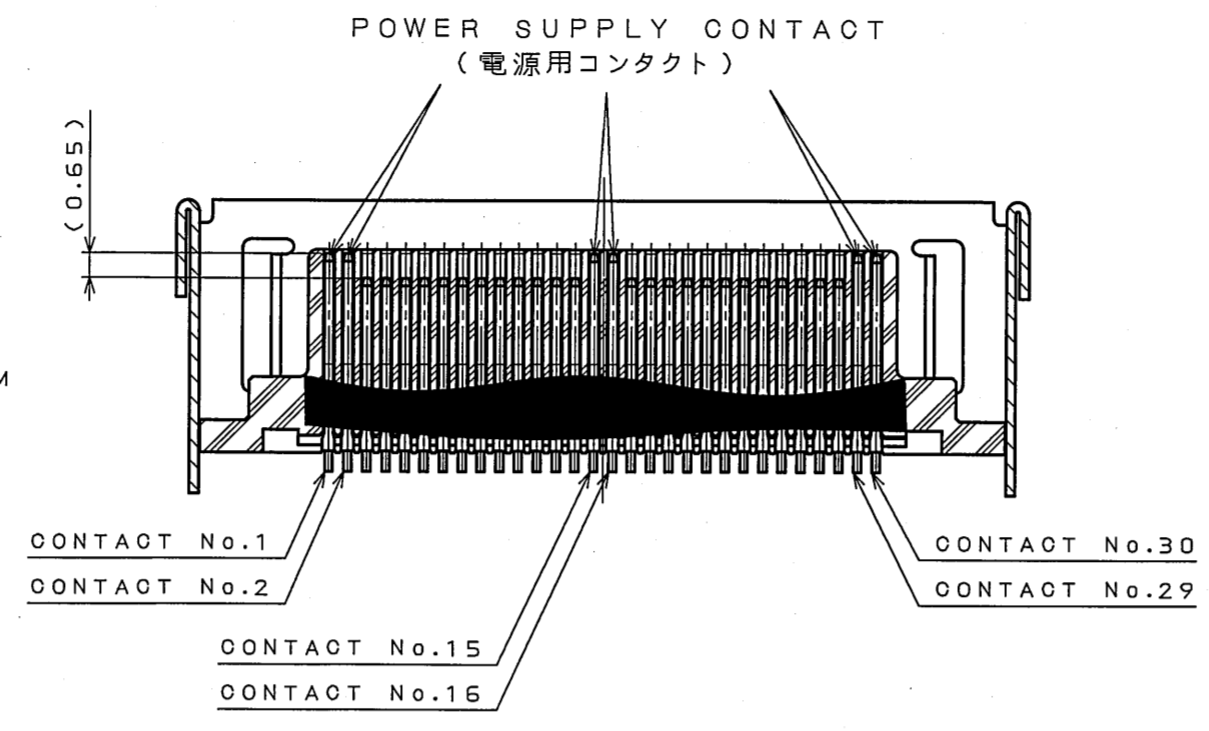
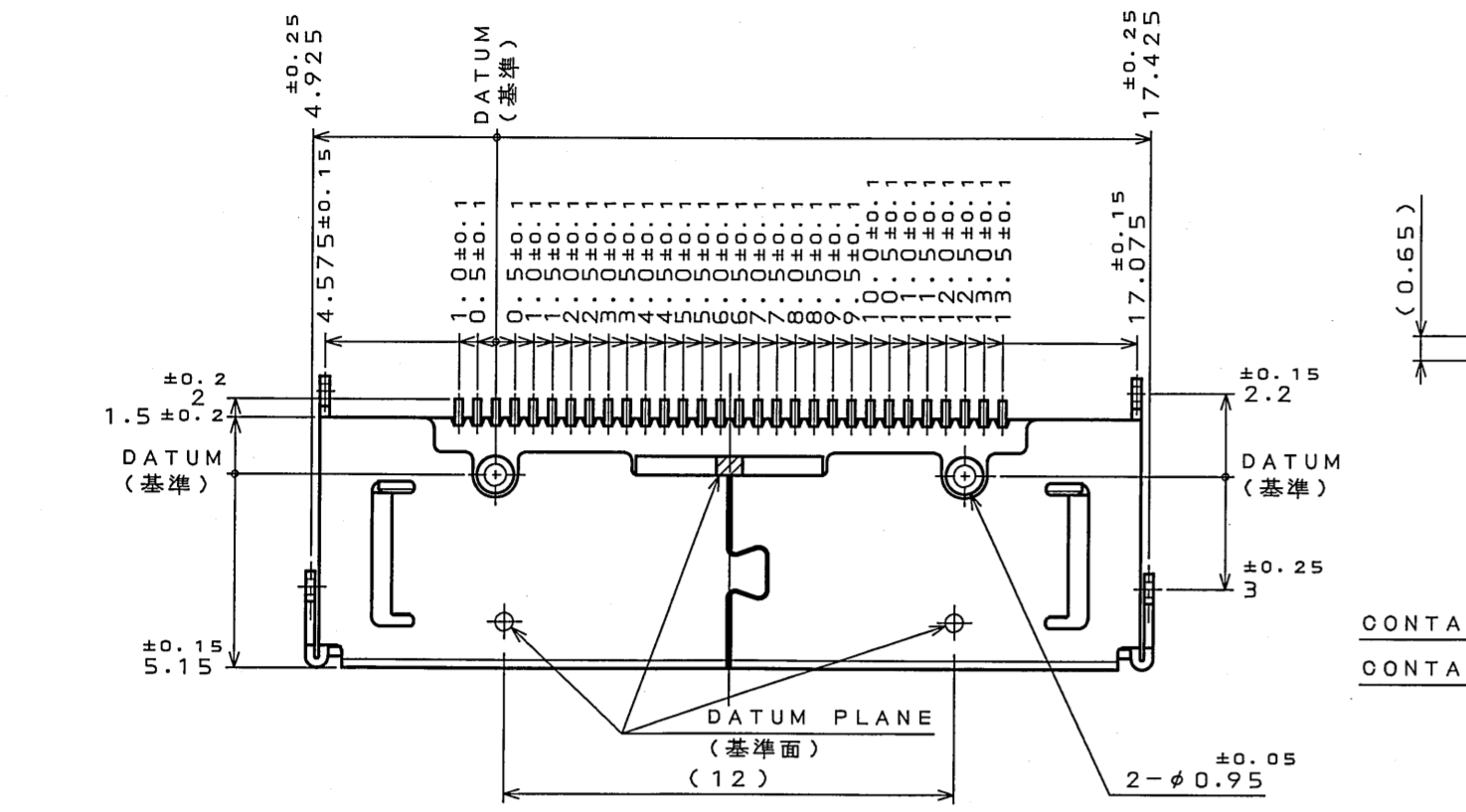
Tel: +86-755-8981 8866 Fax: +86-755-8427 6832

Email & Skype: info@chipsmall.com Web: www.chipsmall.com

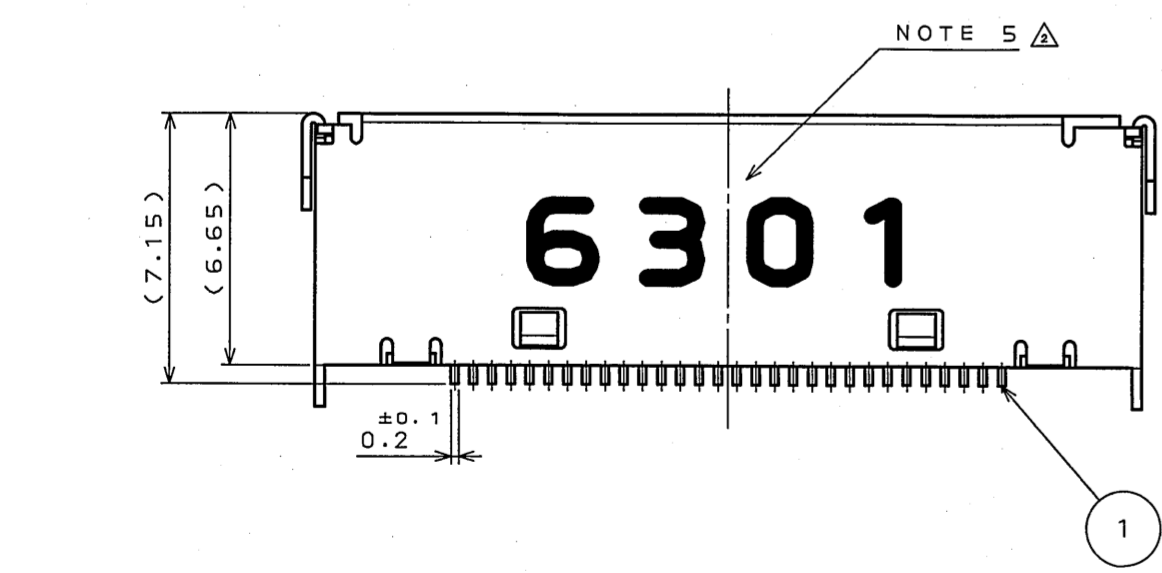
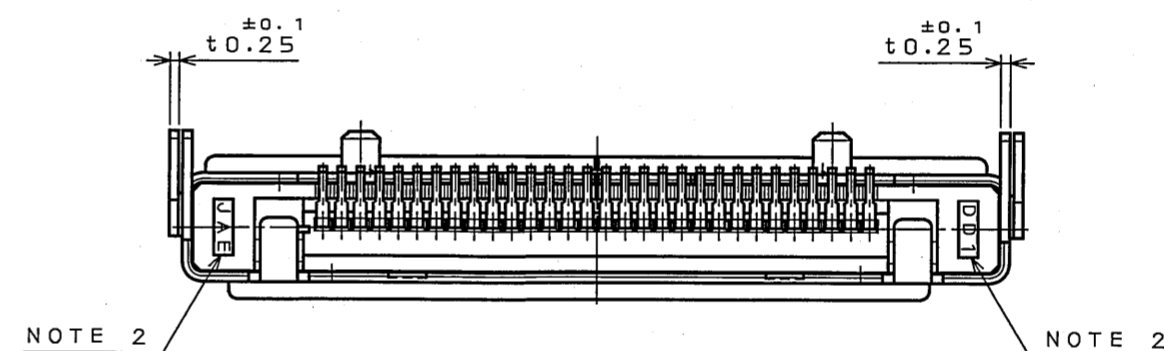
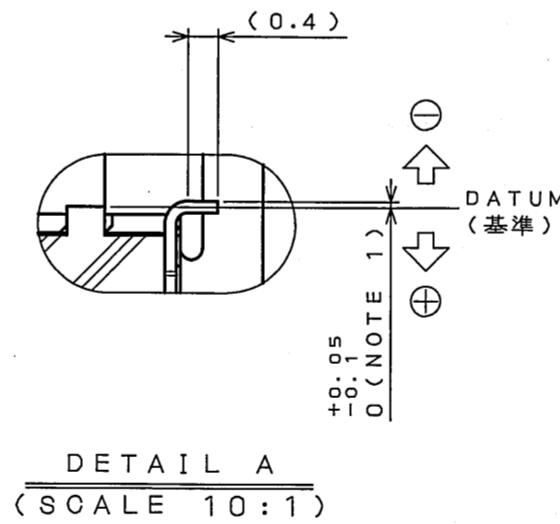
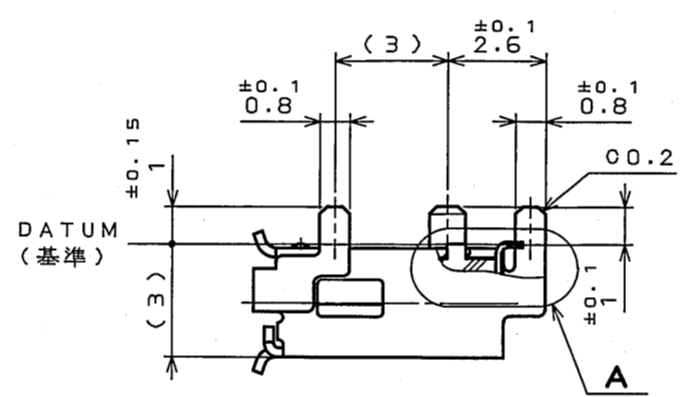
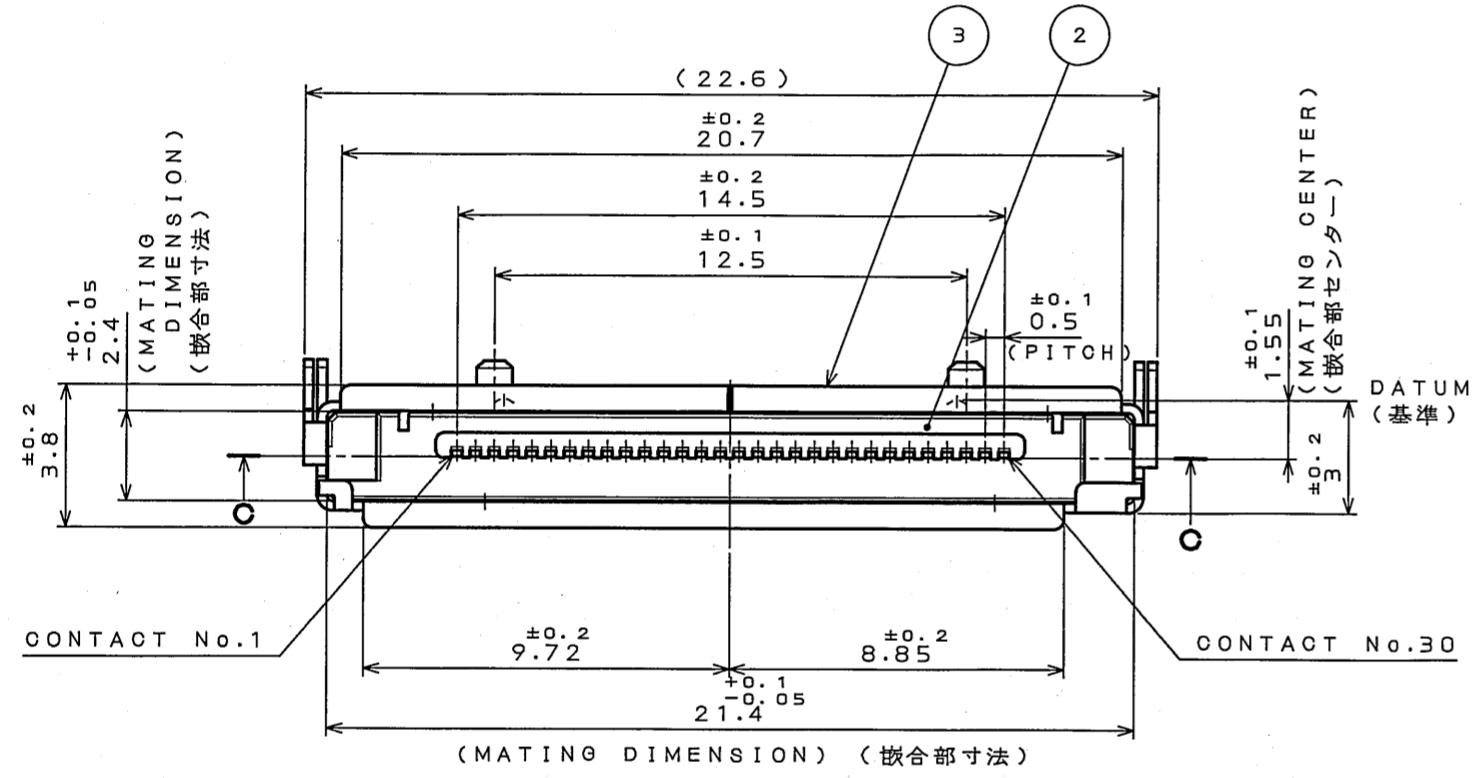
Address: A1208, Overseas Decoration Building, #122 Zhenhua RD., Futian, Shenzhen, China



版数 REV.	年月日 DATE	DCN NO.	変更内容 DESCRIPTION	製図 DR.	担当 CHK.	査閲 APPD.	承認 APPD.
2	30.Mar.2006	059589	ADDED LOT NUMBER		Y.UMEMURA		G. HAGA



APPLICABLE P.C.B. DIMENSION (REF.)
適合基板寸法 (参考)



NOTE 1 ⊕ AND ⊙ DENOTE ARE DIRECTION OF SMT TOLERANCE TERMINAL DIMENSION IS 0, AND DEVIATION (DIMENSION BETWEEN MINUS VALUE & PLUS VALUE) SHALL BE 0.1 MAX.
2. COMPANY LOGO "JAE" AND PART NUMBER "DD1" ARE MARKED AS INDICATED.
3. LAND MARK BOTH SIDES OF P.C.B. HOLE IS THROUGH HOLE PLATED.
4. PLEASE NO PATTERNING IN SLANT AREA.

注1. SMT公差部のプラス、マイナスの方向を示す。端子寸法は $0^{+0.05}_{-0.1}$ であり、公差内におけるバラつき(1コネクタ内のMAX値とMIN値の差)は0.1以下とする。
2. 図示の位置に社標 "JAE" 及び品名 "DD1" を表示する。
3. ランドは基板の両側に設けること。また、スルーホール穴はスルーホールメッキであること。
4. 図に示す範囲(斜線部 コネクタ下部)をパターン禁止領域とする。

△ NOTE5. PRODUCTION LOT NUMBER IS MARKED ON THE TOP OF SHELL.

注5. 図示の位置にロットNo.を表示する。
(EX.) 6301
生産日 DAY(01~31)
生産月 MONTH(1~9, Oct:0, Nov:X, Dec:Y)
生産年(西暦下1桁) YEAR(LAST DIGIT ONLY)

NO.	DESCRIPTION	QTY.	MATERIAL	FINISH	REMARKS
3	SHELL	1	STAINLESS STEEL	TIN OVER NICKEL	
2	INSULATOR	1	9T NYLON	(BLACK)	UL94V-0
1	CONTACT	30	COPPER ALLOY	SMT AREA: GOLD OVER NICKEL SMT AREA: GOLD FLASH OVER NICKEL	GOLD: 0.1μm MIN GOLD FLASH: 0.03~0.1μm
仕様書(SPECIFICATION) JACS-3285		第1版(ORIGINAL DATE) 23.Jan.2006		尺度(SCALE) 5:1	シリーズ(SERIES) DD1
製図 DR.		担当 CHK. Y.UMEMURA		名称(TITLE) DD1R030JA7	
公差(GENERAL TOLERANCE)		製図 APPD. G.HAGA		製図番号(DRAWING NO.) SJ106061	
寸法(DIMENSION)		承認 APPD.		版数(REV.) 2	
角度(ANGLES)					
. ±		° ±			
.X ±		°X' ±			
.XX ±					
.XXX ±					