



Chipsmall Limited consists of a professional team with an average of over 10 year of expertise in the distribution of electronic components. Based in Hongkong, we have already established firm and mutual-benefit business relationships with customers from,Europe,America and south Asia,supplying obsolete and hard-to-find components to meet their specific needs.

With the principle of “Quality Parts,Customers Priority,Honest Operation,and Considerate Service”,our business mainly focus on the distribution of electronic components. Line cards we deal with include Microchip,ALPS,ROHM,Xilinx,Pulse,ON,Everlight and Freescale. Main products comprise IC,Modules,Potentiometer,IC Socket,Relay,Connector.Our parts cover such applications as commercial,industrial, and automotives areas.

We are looking forward to setting up business relationship with you and hope to provide you with the best service and solution. Let us make a better world for our industry!



## Contact us

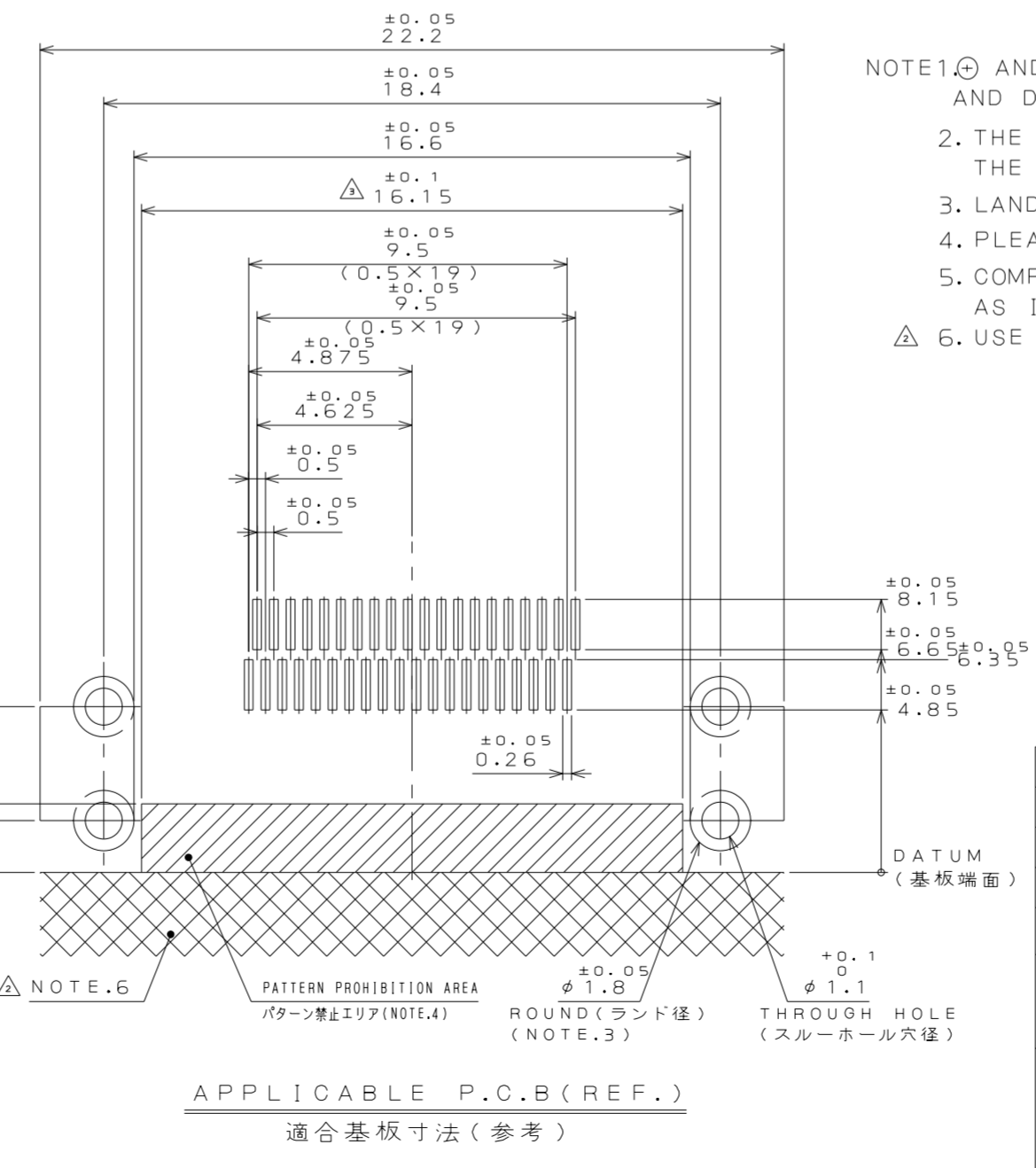
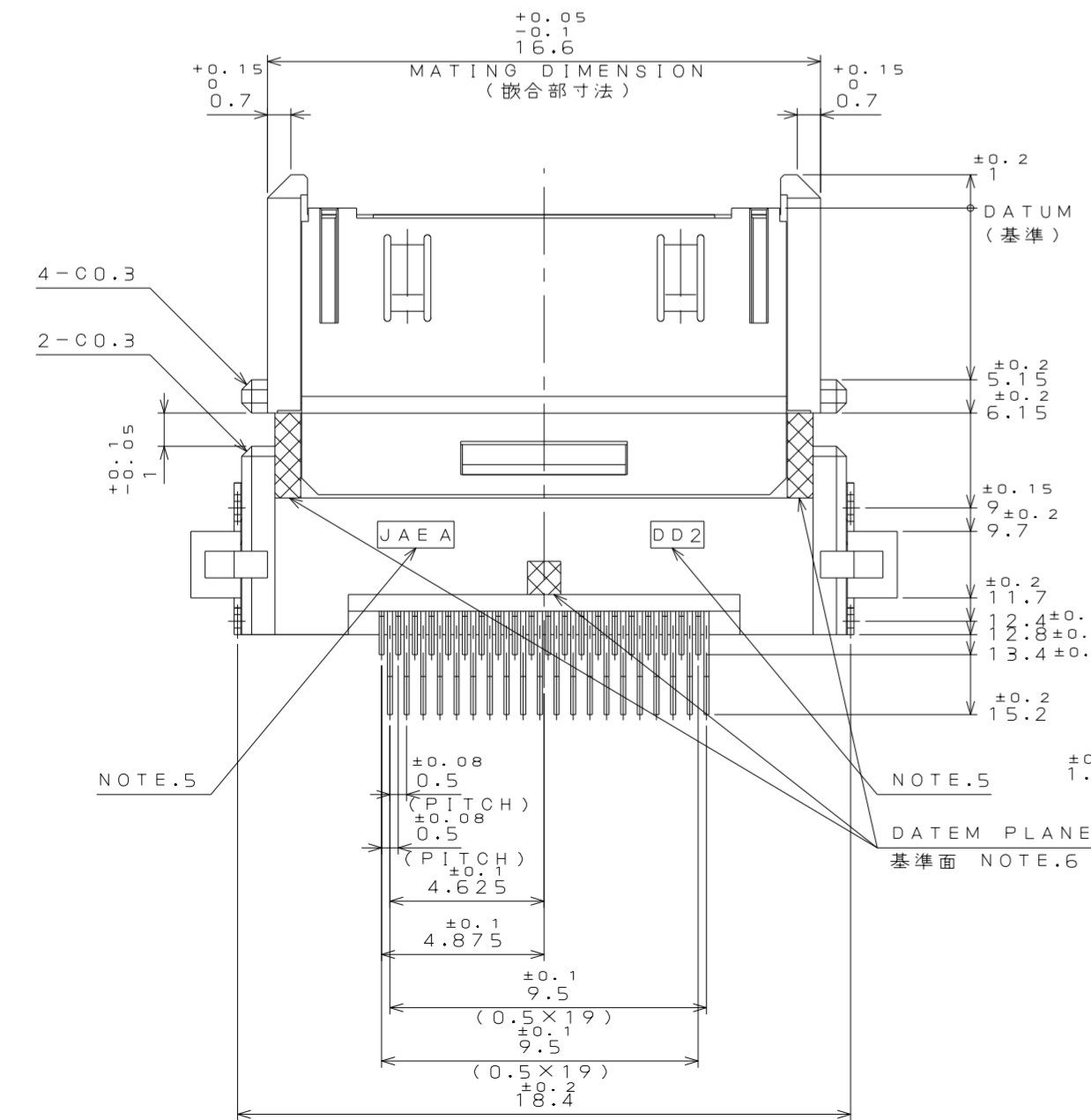
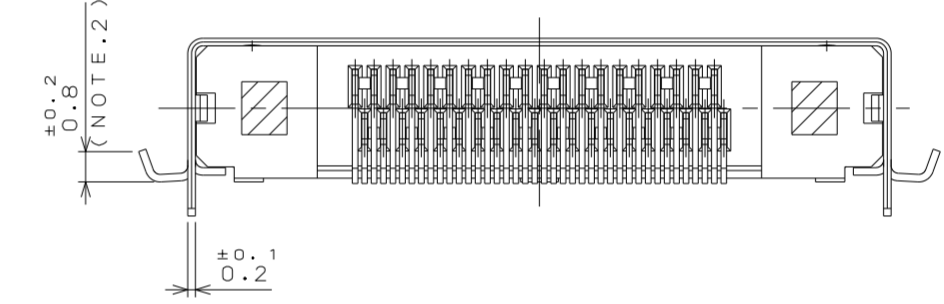
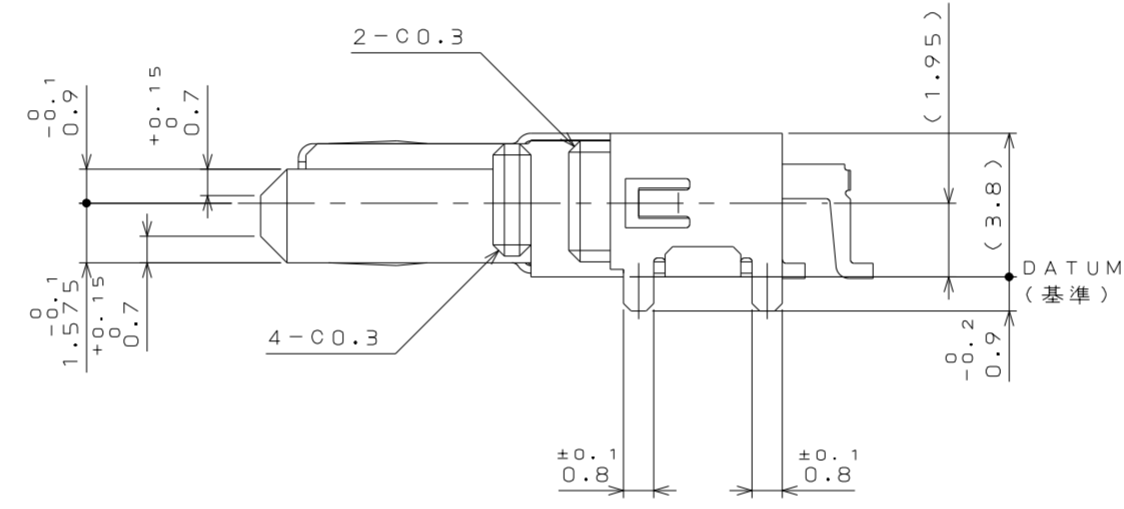
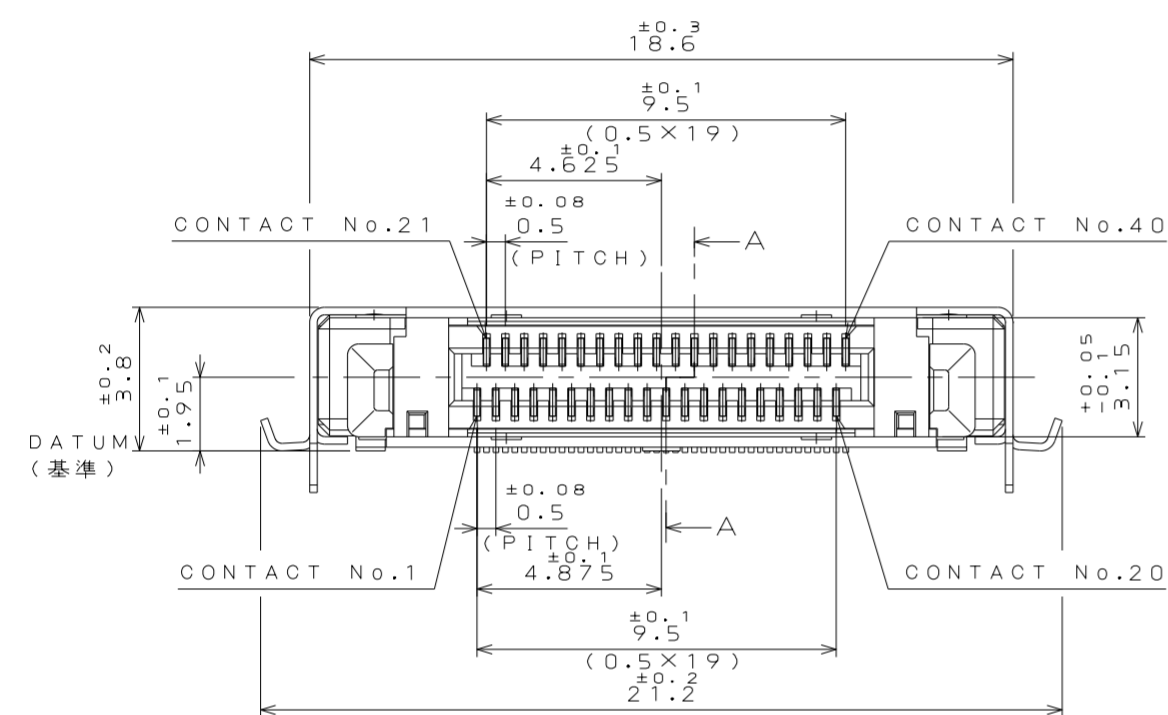
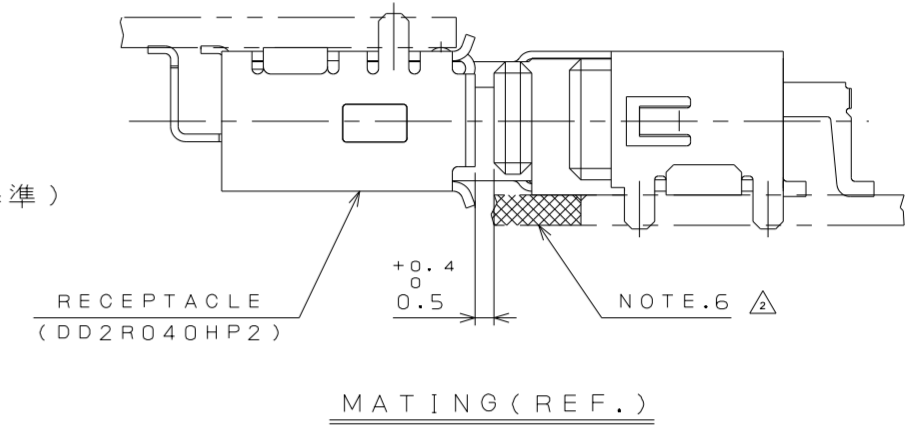
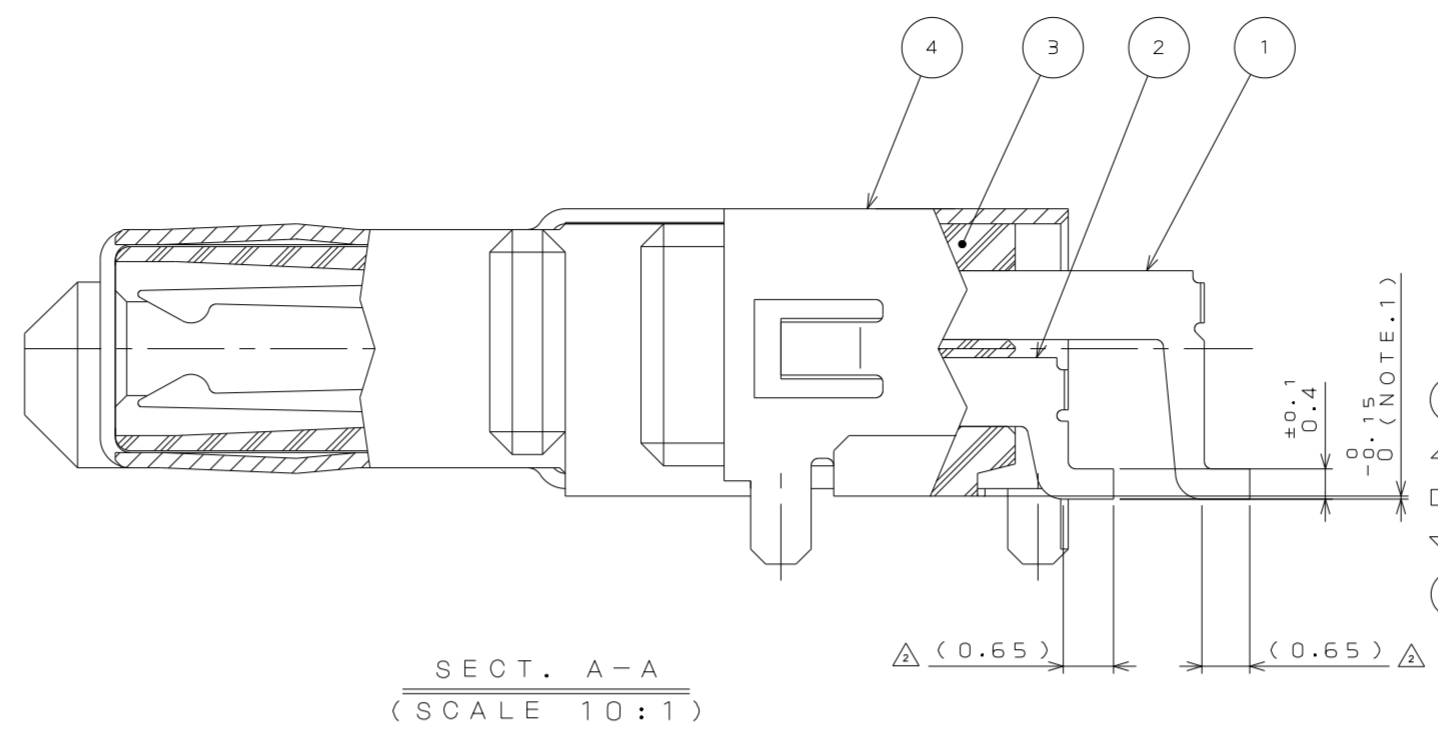
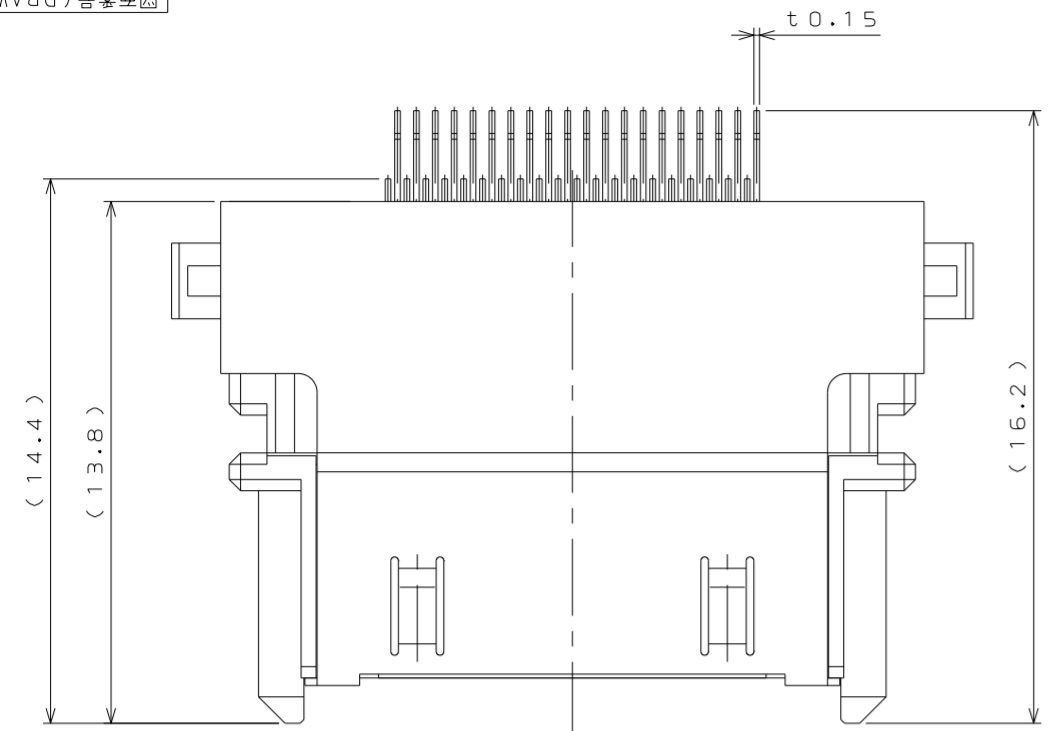
Tel: +86-755-8981 8866 Fax: +86-755-8427 6832

Email & Skype: info@chipsmall.com Web: www.chipsmall.com

Address: A1208, Overseas Decoration Building, #122 Zhenhua RD., Futian, Shenzhen, China



版数 VER.	年月日 DATE	CN NO.	変更内容 DESCRIPTION	製図 DR.	担当 CHK.	査閲 APPD.	承認 APPD.
2	30.Jun.2004	055150	CORRECT AN ERROR ETC		Y.SATOU		H.AMEMIYA
3	11.Sep.2012	003896	ADD A DIMENSION		Y.YOKOYAMA	M.SASAKI	T.SHINDOU

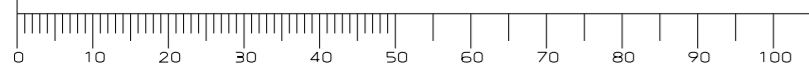


- NOTE1 ⊕ AND ⊖ DENOTE ARE DIRECTION OF SMT TOLERANCE TERMINAL DIMENSION IS  $0.15$  AND DEVIATION (DIMENSION BETWEEN MINUS VALUE & PLUS VALUE) SHALL BE 0.1 MAX.
- THE HOLD-DOWN SHALL BE INSIDE THE INSULATOR JUDGING THE LOWEST CONTACT POSITION. THE COPLANARITY AMONG THE HOLD-DOWNS AND CONTACTS SHALL BE 0.1 MAX.
  - LAND MARK BOTH SIDES OF P.C.B. HOLE IS THROUGH HOLE PLATED.
  - PLEASE NO PATTERNING IN SLANT AREA.
  - COMPANY LOGO "JAE" AND CAVITY NUMBER "A OR B" AND PART NUMBER "DD1" ARE MARKED AS INDICATED.
  - USE JIG OR DISPOSABLE BACKUP BOARD FOR DATUM PLANE (3 AREA) RETENTION.

- 注1. SMT公差部のプラス、マイナスの方向を示す。端子寸法は  $0.15$  であり、公差内におけるバラつき(1コネクタ内のMAX値とMIN値の差)は0.1以下とする。
- ホルドダウンは、コンタクトの基板側最下位置を基準にインシュレータ側にあるものとし、コンタクトを含めたバラツキは0.1以下とする。
  - ランドは基板の両側に設けること。また、スルーホールはスルーホールメッキであること。
  - 図に示す範囲(斜線部 コネクタ下部)をパターン禁止領域とする。
  - 図示の位置に社標 "JAE"、キャビ番号 "A又はB" 及び品名 "DD2" を表示する。
  - リフロー時は、基準面(3ヶ所)を治具または捨て基板にて保持すること。

符号 NO.	名称 DESCRIPTION	個数 QTY.	材料 MATERIAL	仕上 FINISH	備考 REMARKS
4	SHELL	1	STAINLESS STEEL	NICKEL PLATING THROUGH HOLE AREA: TIN PLATING	
3	INSULATOR	1	SYNTHETIC RESIN	(BLACK)	UL94V-0
2	CONTACT 2	20	COPPER ALLOY	CONTACT AREA: GOLD PLATING OVER NICKEL SMT AREA: GOLD FLASH PLATING OVER NICKEL	CONTACT AREA Au: 0.1μm MIN.
1	CONTACT 1	20	COPPER ALLOY	CONTACT AREA: GOLD PLATING OVER NICKEL SMT AREA: GOLD FLASH PLATING OVER NICKEL	CONTACT AREA Au: 0.1μm MIN.
仕様書 (SPECIFICATION)		第1版 (ORIGINAL DATE)		尺 (SCALE) シリーズ (SERIES)	
JACS-30011		23.Feb.2004		5:1 DD2	
製図 DR.		担当 CHK.		名称 (TITLE)	
Y.SATOU		Y.SATOU		DD2B040HA2	
製図 CHK.		担当 APPD.		製図 DR.	
H.AMEMIYA		H.AMEMIYA		JAPAN AVIATION ELECTRONICS INDUSTRY, LTD.	
製図 APPD.		承認 APPD.		図面番号 (DRAWING NO.)	
				SJ100281	
単位 (UNIT): mm		質量 (MASS)		版数 (VER.)	
				3	

DCF-C-213H(12.08)



WISDOM承認 2012/09/13