



Chipsmall Limited consists of a professional team with an average of over 10 year of expertise in the distribution of electronic components. Based in Hongkong, we have already established firm and mutual-benefit business relationships with customers from,Europe,America and south Asia,supplying obsolete and hard-to-find components to meet their specific needs.

With the principle of "Quality Parts,Customers Priority,Honest Operation,and Considerate Service",our business mainly focus on the distribution of electronic components. Line cards we deal with include Microchip,ALPS,ROHM,Xilinx,Pulse,ON,Everlight and Freescale. Main products comprise IC,Modules,Potentiometer,IC Socket,Relay,Connector.Our parts cover such applications as commercial,industrial, and automotives areas.

We are looking forward to setting up business relationship with you and hope to provide you with the best service and solution. Let us make a better world for our industry!



Contact us

Tel: +86-755-8981 8866 Fax: +86-755-8427 6832

Email & Skype: info@chipsmall.com Web: www.chipsmall.com

Address: A1208, Overseas Decoration Building, #122 Zhenhua RD., Futian, Shenzhen, China



NEW



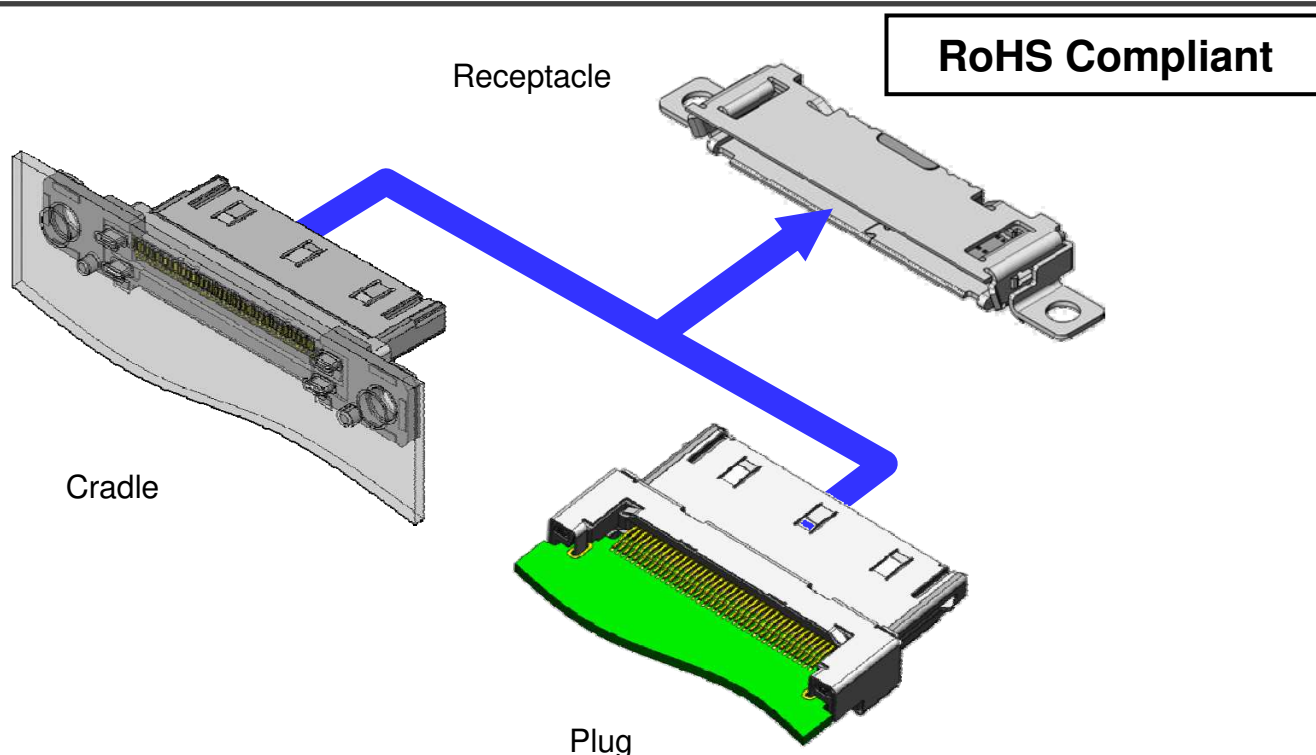
High-speed Transmission Compatible
Low-profile Docking Connector

DD4 Series

CONNECTOR

MB-0270-1

September 2013



The DD4 Series is an external interface connector compatible with high-speed signals such as USB 3.0, DisplayPort™, SATA Gen2.

DisplayPort™ is a registered trademark of Video Electronics Standards Association (VESA).

Features

- Connector to transmit high-speed signals of transmission standards such as USB3.0, DisplayPort™, SATA Gen2.
- Achieves low profile, mounted height 2.8mm to comply with the demand for slimmer devices.
- Enhanced twisting resistance against insertion and removal through equipping a guide rail on shell.
- Allows insertion and removal while conducting electricity with first mate last break receptacle side power supply pin.
- Available on embossed tape for automatic mounting.

Applicable Markets

Notebook PC, tablet PC, hand-held devices such as portable game player.

General Specifications

- No. of Contacts: 40 pos.
- Contact Resistance:
50m Ω max. (initial)
- Dielectric Withstanding Voltage:
AC300Vr.m.s for 1 minute
- Operating Temperature:
-25 Deg. C to +75 Deg. C
- Rated Current:
0.1A / 1 pos. (signal)
1.1A / 1pos. (power)
- Insulation Resistance:
100M Ω min. (initial)
- Life time: 5,000 times

Materials and Finishes

■ Receptacle

Component	Material and Finish
Shell	Stainless-steel / Ni plating
Insulator	Synthetic resin
Contact	Contact area: Copper alloy / Au plating over Ni Terminal area: Copper alloy / Au flash plating over Ni

■ Plug

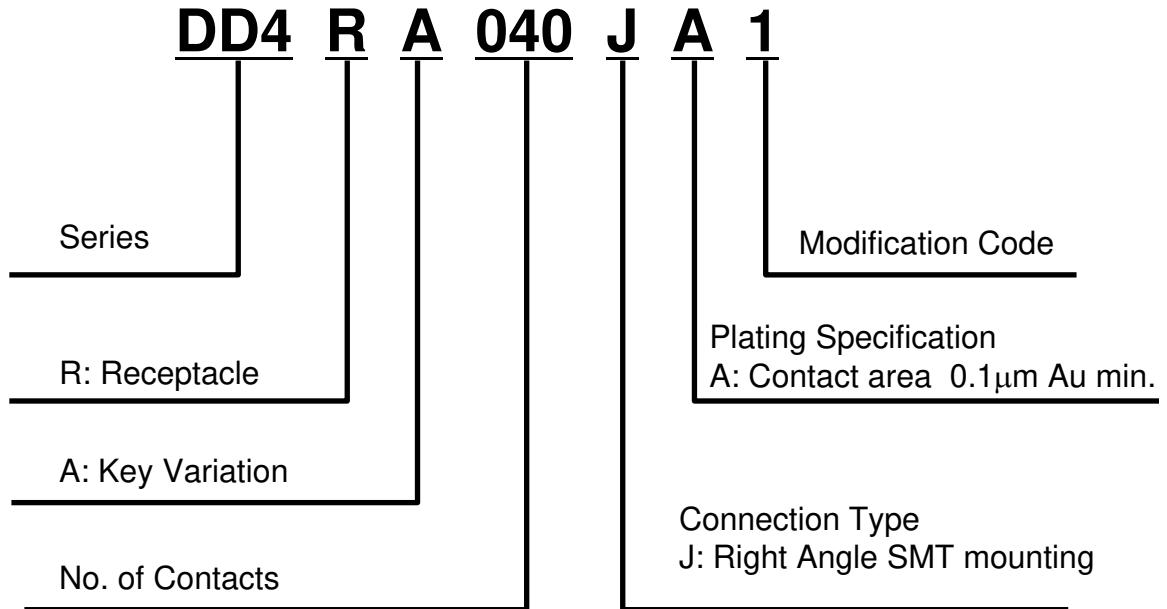
Component	Material and Finish
Shell	Stainless-steel / Ni plating
Lock Spring	Stainless-steel
Inner Insulator	Synthetic resin
Base Insulator	Synthetic resin
Contact	Contact area: Copper alloy / Au plating over Ni Terminal area: Copper alloy / Au flash plating over Ni

■ Cradle

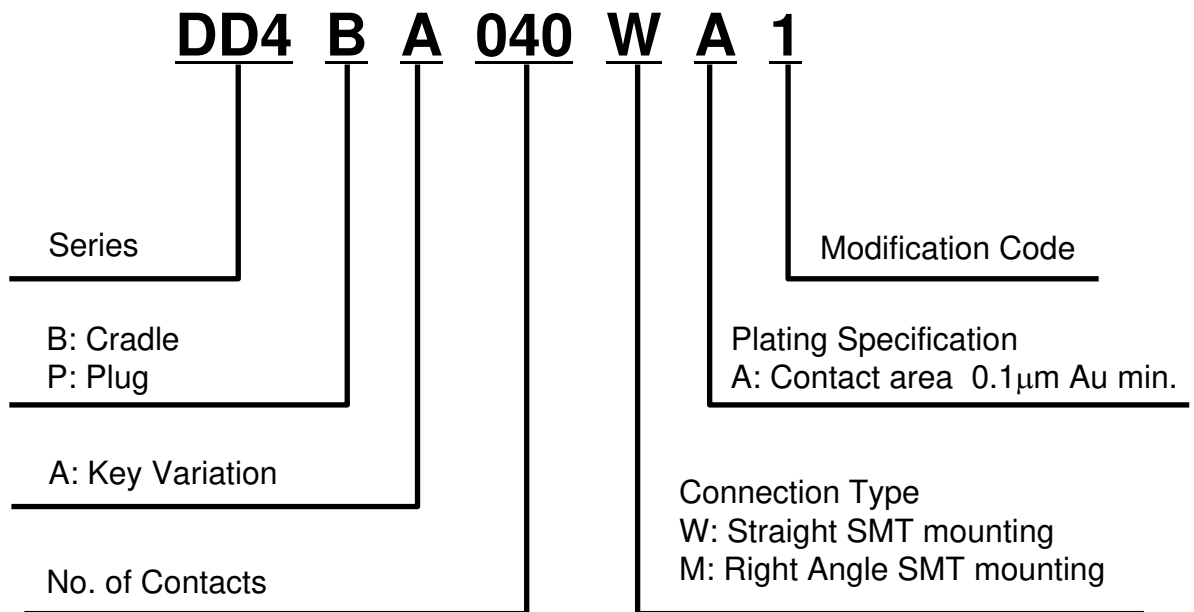
Component	Material and Finish
Shell	Stainless-steel / Ni plating
Cap	Synthetic resin
Inner Insulator	Synthetic resin
Base Insulator	Synthetic resin
Contact	Contact area: Copper alloy / Au plating over Ni Terminal area: Copper alloy / Au flash plating over Ni

Ordering Information

■ Receptacle

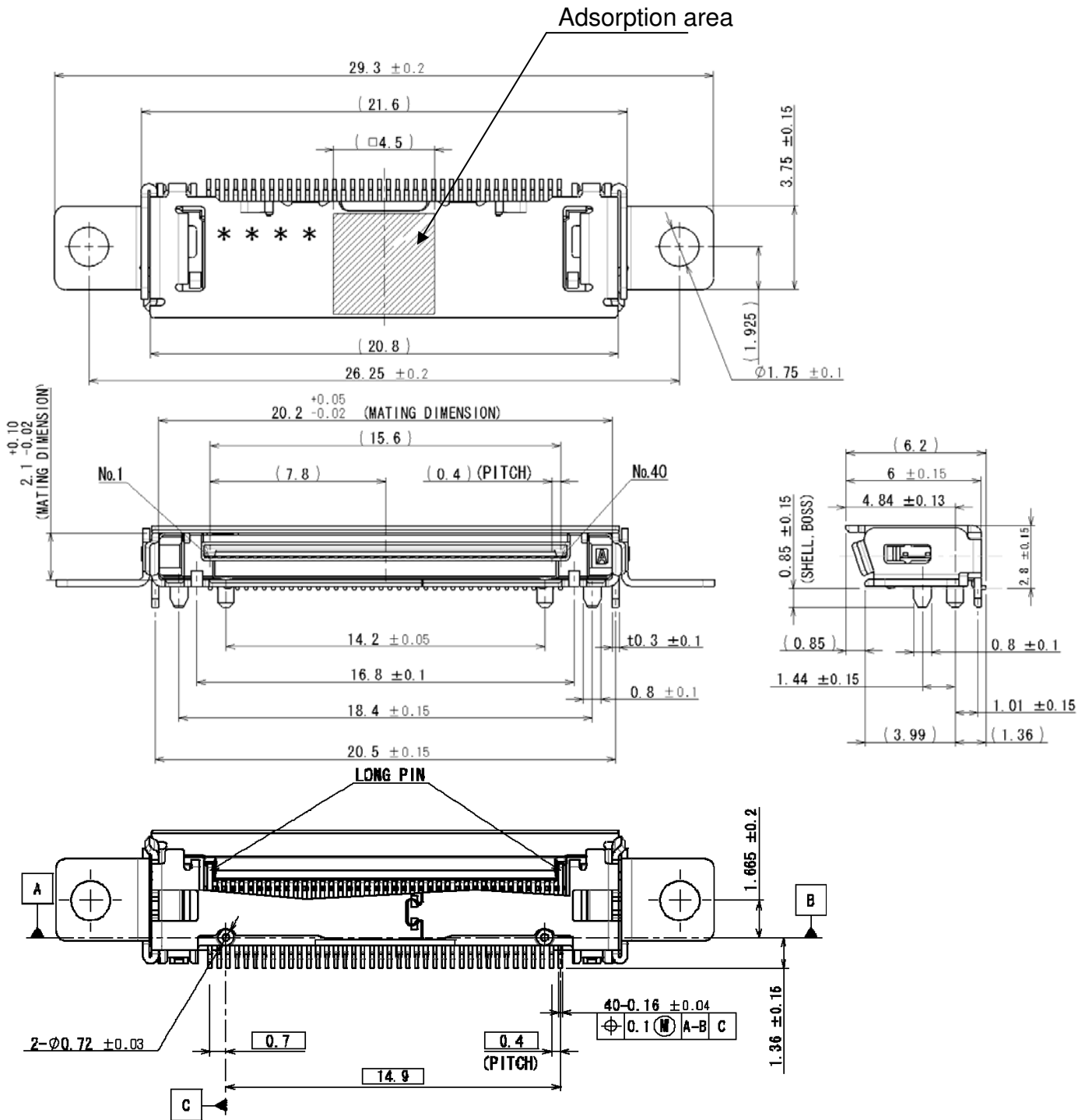


■ Plug / Cradle



Product Drawing (Individual Product)

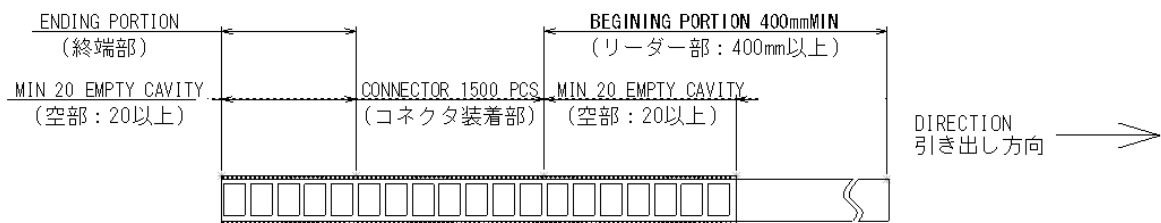
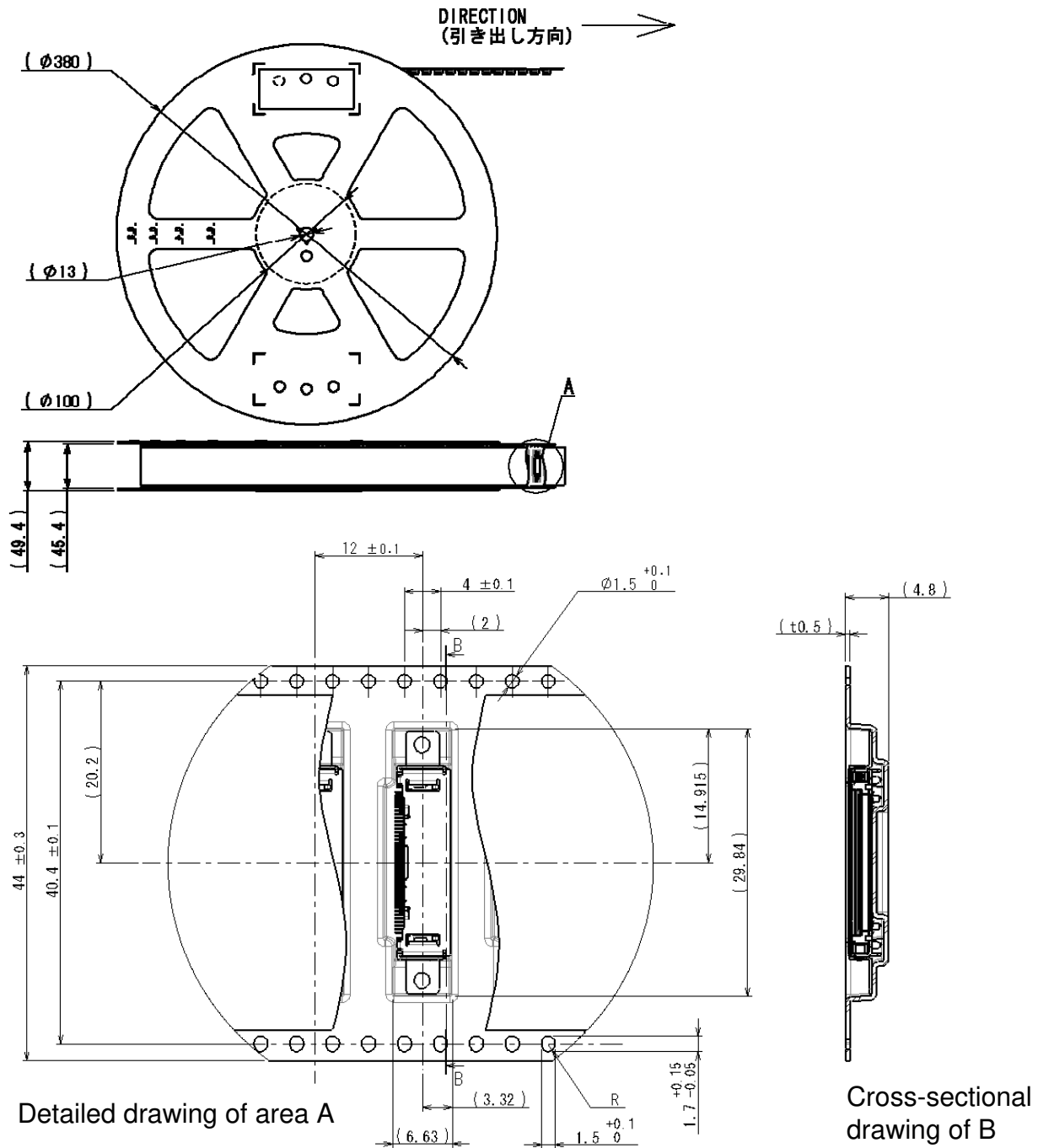
Part Number: DD4RA40JA1
(SJ Drawing No.: SJ114484)



*Please refer to SJ drawing when considering use of this product.

Product Drawing (Packaged Product)

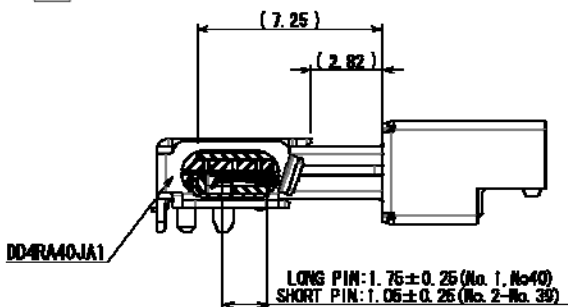
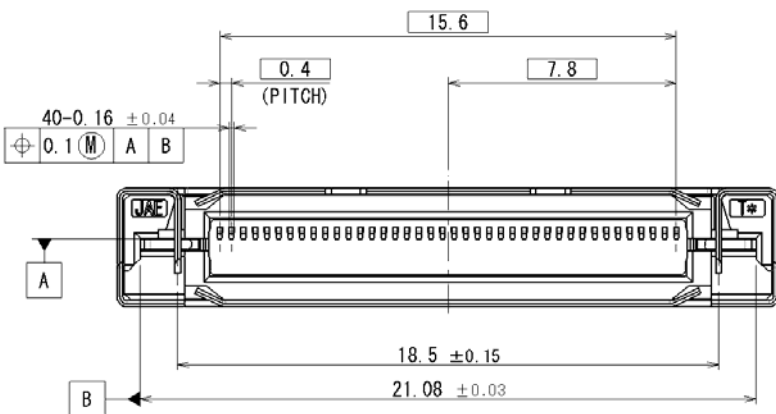
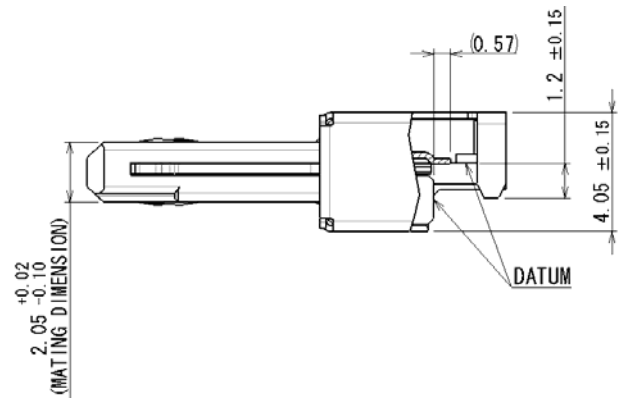
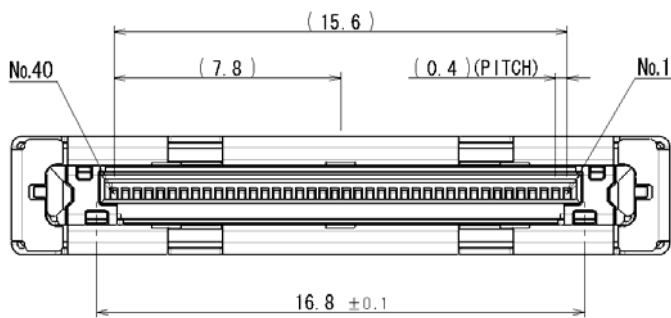
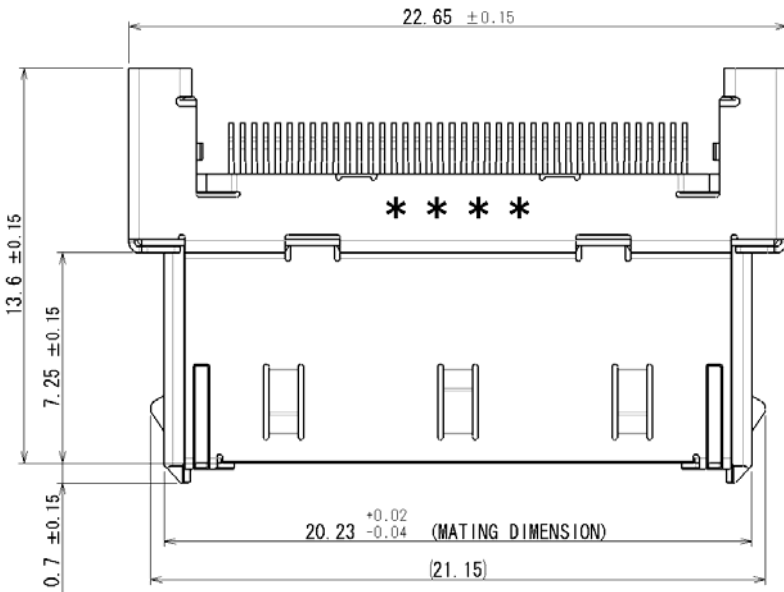
Part Number: DD4RA40JA1R1500
(SJ Drawing No.: SJ114485)



*Please refer to SJ drawing when considering use of this product.

Product Drawing (Individual Product)

Part Number: DD4PA40MA1
(SJ Drawing No.: SJ114486)

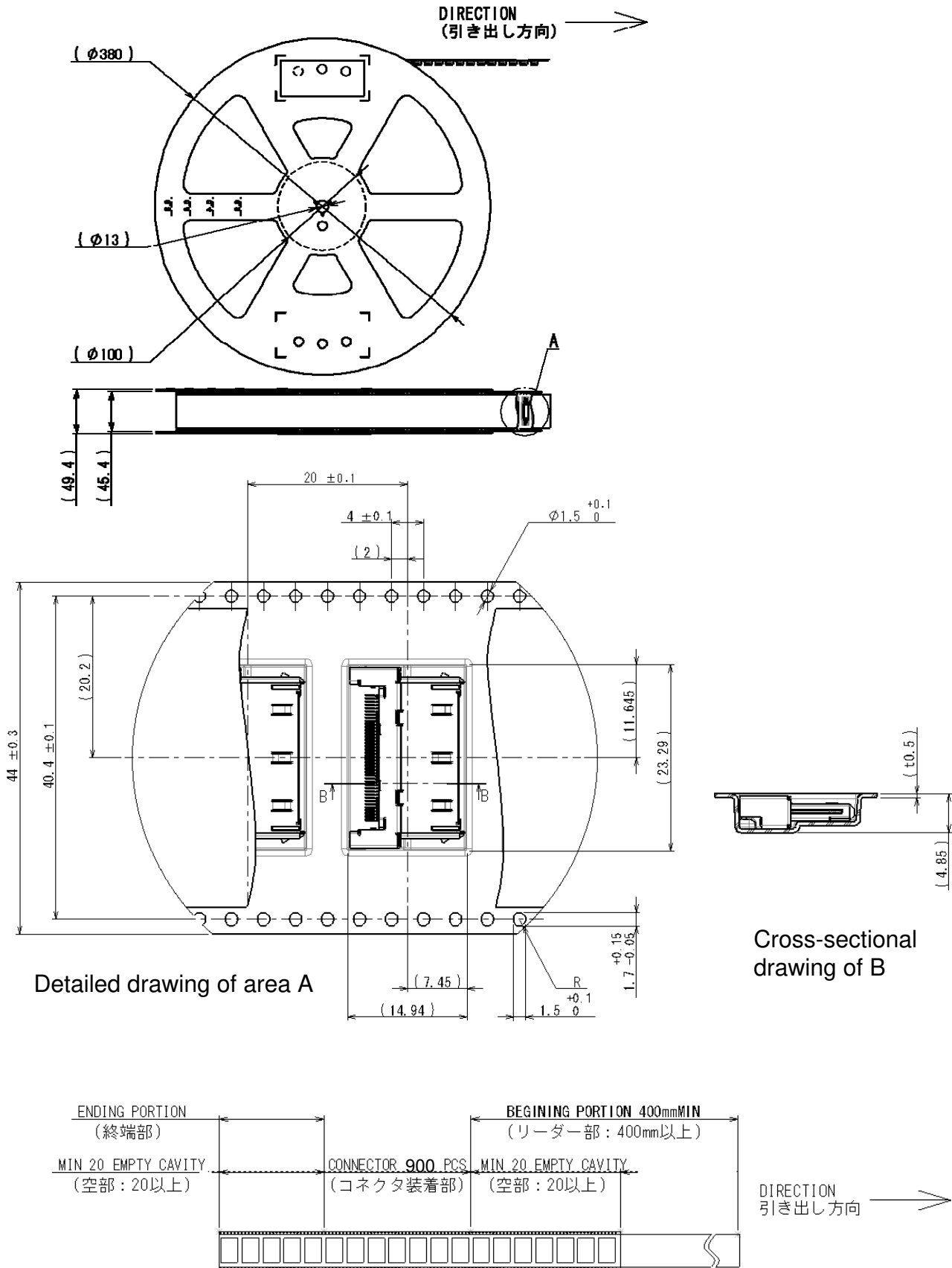


Drawing when mated

*Please refer to SJ drawing when considering use of this product.

Product Drawing (Packaged Product)

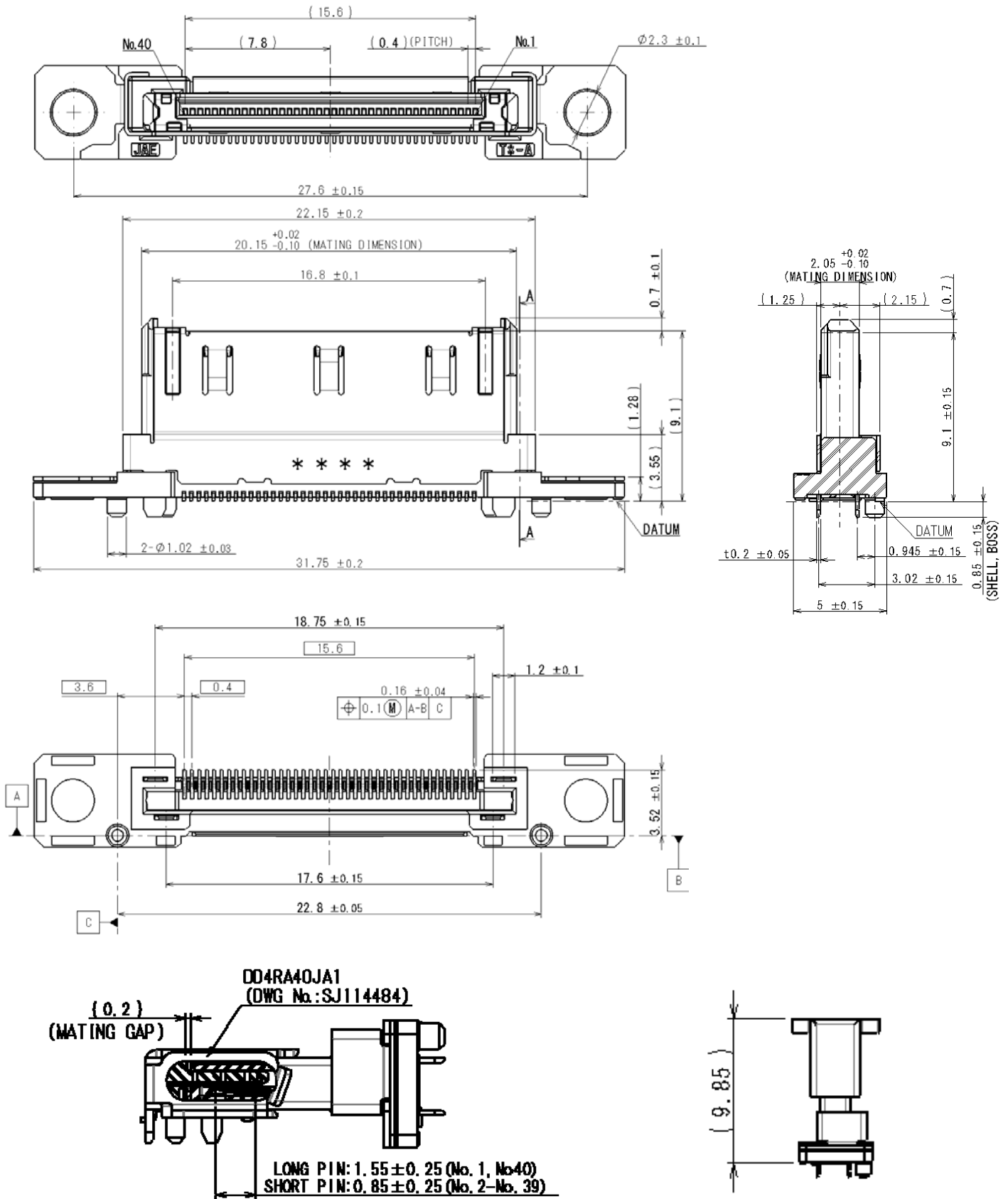
Part Number: DD4PA40MA1R900
(SJ Drawing No.: SJ114487)



*Please refer to SJ drawing when considering use of this product.

Product Drawing (Individual Product)

Part Number: DD4BA40WA1
(SJ Drawing No.: SJ114488)



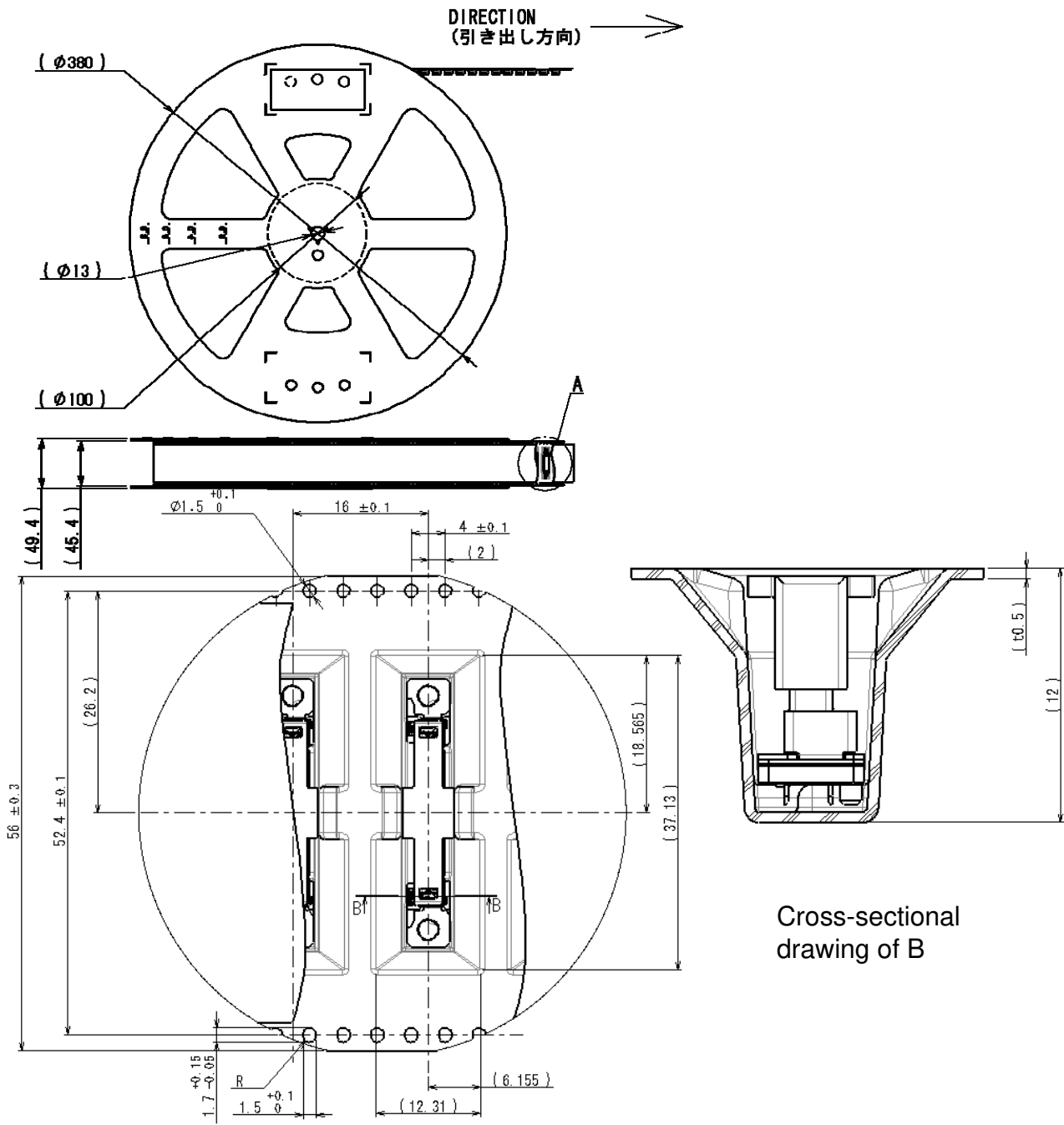
Drawing when mated.

Drawing when adsorption cap is attached.

*Please refer to SJ drawing when considering use of this product.

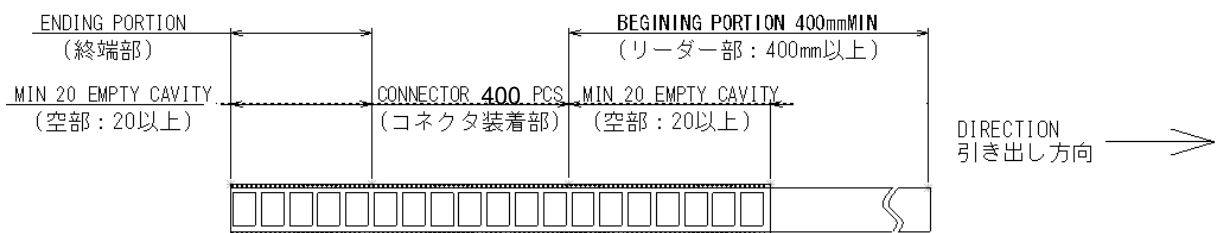
Product Drawing (Packaged Product)

Part Number: DD4BA40WA1R400
(SJ Drawing No.: SJ114489)



Detailed drawing of area A

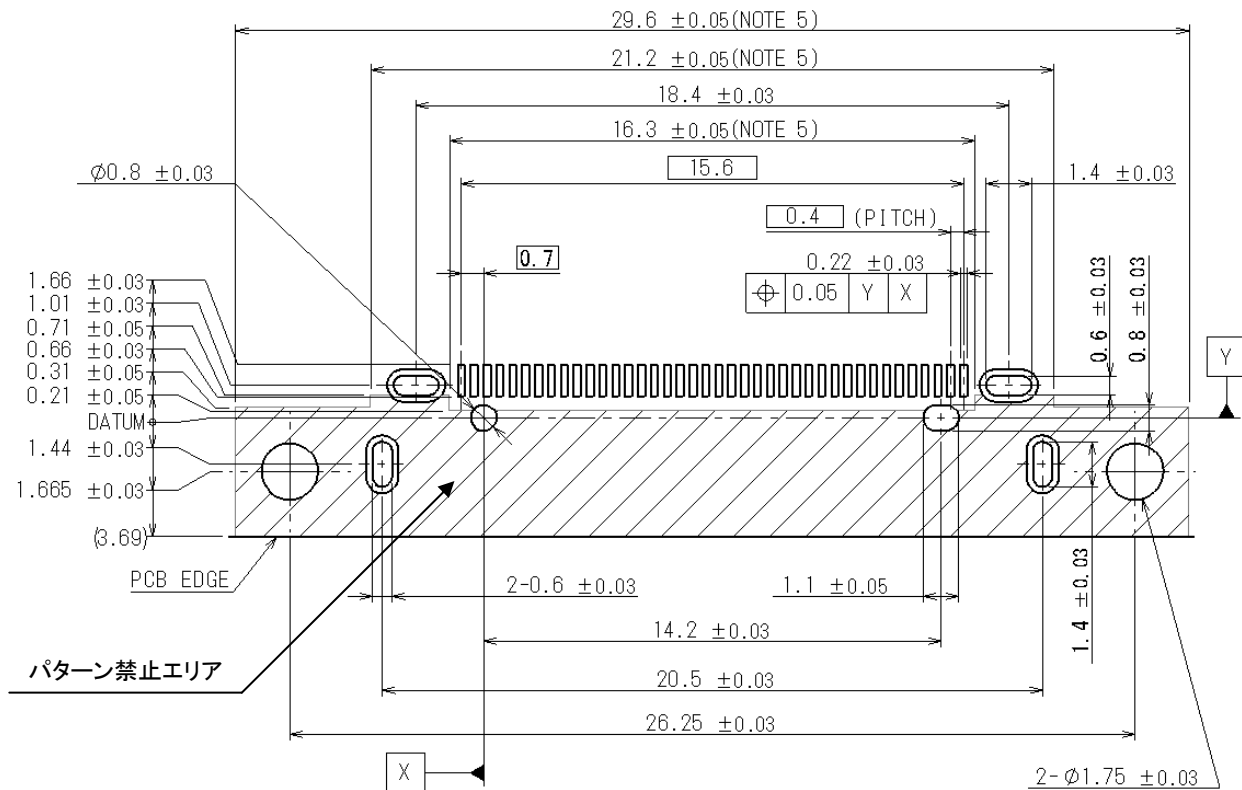
Cross-sectional drawing of B



*Please refer to SJ drawing when considering use of this product.

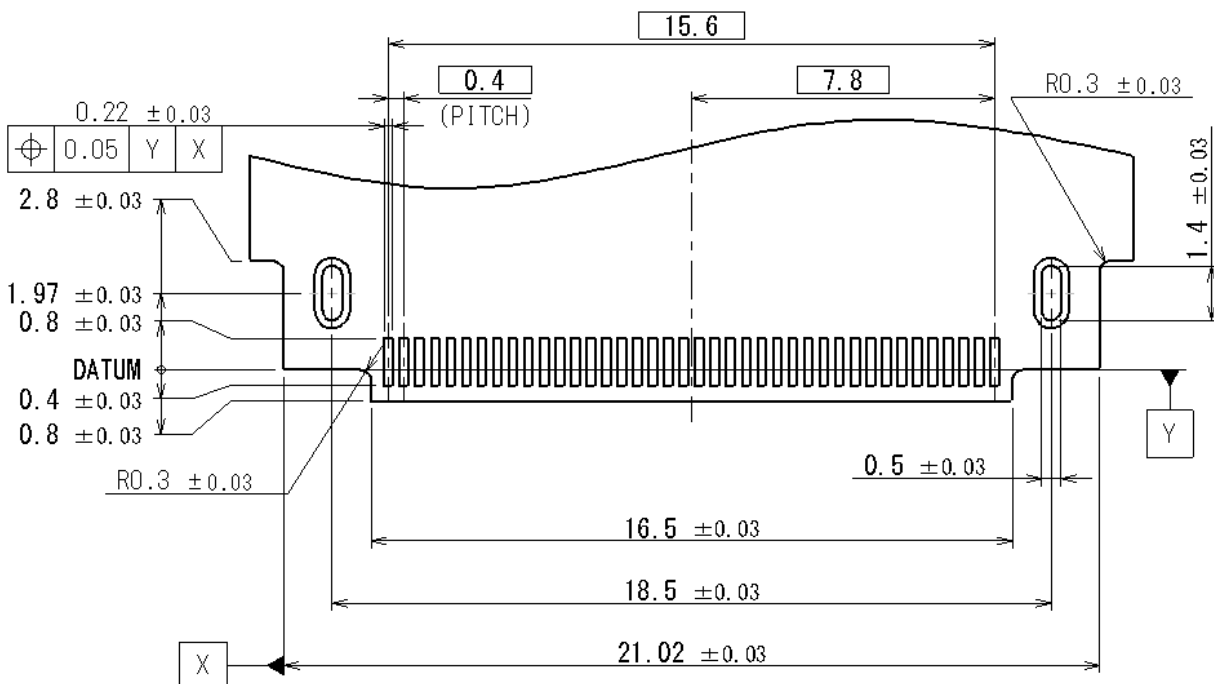
<Applicable Dimensions of Board>

Part Number: DD4RA40JA1
(SJ Drawing No.: SJ114484)



<Applicable Dimensions of Board>

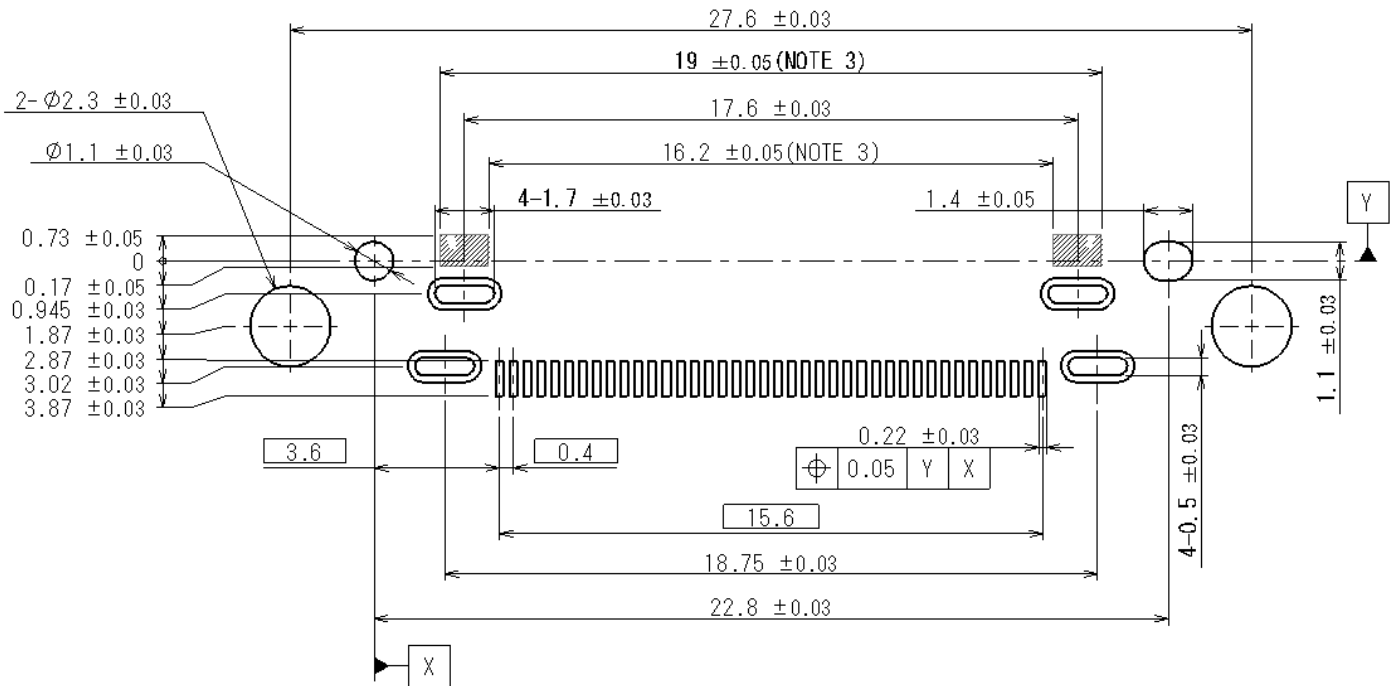
Part Number: DD4PA40MA1
(SJ Drawing No.: SJ114486)



*Please refer to SJ drawing when considering use of this product.

<Applicable Dimensions of Board>

Part Number: DD4BA40WA1
(SJ Drawing No.: SJ114488)



*Please refer to SJ drawing when considering use of this product.

Product Drawing and Specifications

Part Number	DD4RA40JA1 (R1500)	DD4PA40MA1 (R900)	DD4BA40WA1 (R400)
Connector Shape	Receptacle	Plug	Cradle
Depth [mm]	(6.2)	14.3 +/-0.3	5 +/-0.15
Height (when mated) [mm]	2.8 +/-0.15	4.05 +/-0.15	(9.8)
Width [mm]	29.3 +/-0.2	22.65 +/-0.15	31.75 +/-0.2
Board Fixing Method			
	Hold-down	Four points	Two points
	Screw fixed	Two points	Two points
Specification	JACS-30256-1		
Drawing No.	Individual Product	SJ114484	SJ114486
	Packaged Product	SJ114485	SJ114487

Notice:

1. The values specified in this brochure are only for reference. The products and their specifications are subject to change without notice. Contact our sales staff for further information before considering or ordering any of our products.

For purchase, a product specification must be agreed upon.

2. Users are requested to provide protection circuits and redundancy circuits to ensure safety of the equipment, and sufficiently review the suitability of JAE's products to the equipment.

3. The products presented in this brochure are designed for the uses recommended below.

We strongly suggest you contact our sales staff when considering use of any of the products in any other way than the recommended applications or for a specific use that requires an extremely high reliability.

(1) Applications that require consultation:

(i) Please contact us if you are considering use involving a quality assurance program that you specify or that is peculiar to the industry, such as:

Automotive electrical components, train control, telecommunications devices (mainline), traffic light control, electric power, combustion control, fire prevention or security systems, disaster prevention equipment, etc.

(ii) We may separately give you our support with a quality assurance program that you specify, when you think of a use such as :

Aviation or space equipment, submarine repeaters, nuclear power control systems, medical equipment for life support, etc.

(2) Recommended applications include:

Computers, office appliances, telecommunications devices (terminals, mobile units), measuring equipment, audiovisual equipment, home electric appliances, factory automation equipment, etc

Japan Aviation Electronics Industry, Limited

Product Marketing Division

Aobadai Building, 3-1-19, Aobadai, Meguro-ku, Tokyo 153-8539

Phone: +81-3-3780-2882 FAX: +81-3-3780-2946

* The specifications in this brochure are subject to change without notice. Please contact JAE for information.