



Chipsmall Limited consists of a professional team with an average of over 10 year of expertise in the distribution of electronic components. Based in Hongkong, we have already established firm and mutual-benefit business relationships with customers from,Europe,America and south Asia,supplying obsolete and hard-to-find components to meet their specific needs.

With the principle of “Quality Parts,Customers Priority,Honest Operation,and Considerate Service”,our business mainly focus on the distribution of electronic components. Line cards we deal with include Microchip,ALPS,ROHM,Xilinx,Pulse,ON,Everlight and Freescale. Main products comprise IC,Modules,Potentiometer,IC Socket,Relay,Connector.Our parts cover such applications as commercial,industrial, and automotives areas.

We are looking forward to setting up business relationship with you and hope to provide you with the best service and solution. Let us make a better world for our industry!



Contact us

Tel: +86-755-8981 8866 Fax: +86-755-8427 6832

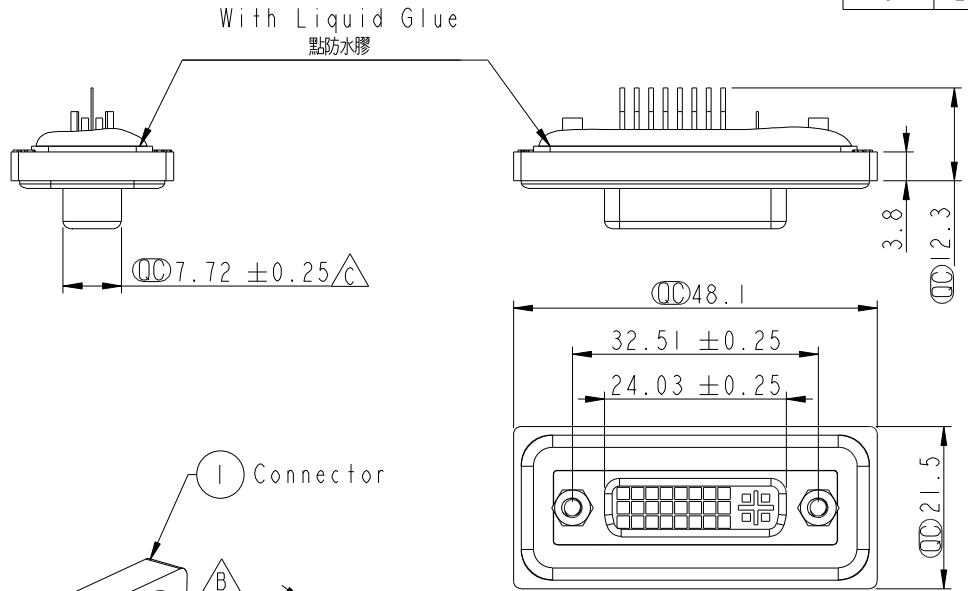
Email & Skype: info@chipsmall.com Web: www.chipsmall.com

Address: A1208, Overseas Decoration Building, #122 Zhenhua RD., Futian, Shenzhen, China



REV.	ECN NO.	DATE	SIGN	DESCRIPTION
B	LE3-710144	2006/12/13	Gao Ling	Move O-ring to ZSE00100840
C	LEN1380073	2013/08/02	Sam	Modify Dimension

THIS DOCUMENT IS SUBJECT TO CHANGE WITHOUT NOTICE. IT IS CONFIDENTIAL AND A PROPERTY OF Amphenol LTW. DISCLOSURE TO THIRD PARTY HAS TO BE AUTHORIZED BY Amphenol LTW.



ALTW
CONFIDENTIAL
2013-08-02
R&D DEPT.

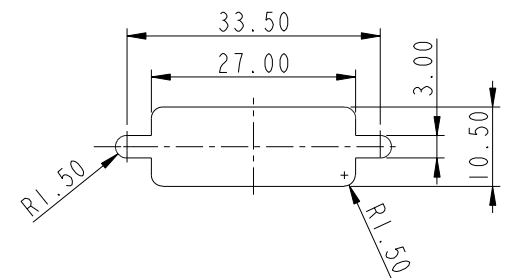
ALTW
DCC. DEPT.
CONFIDENTIAL
2013.08.12
ISSUED



Panel Thickness
面板厚度

Screw L=5.0 For Panel Thickness
Under 1.2mm
適用板厚為 1.2mm 以下

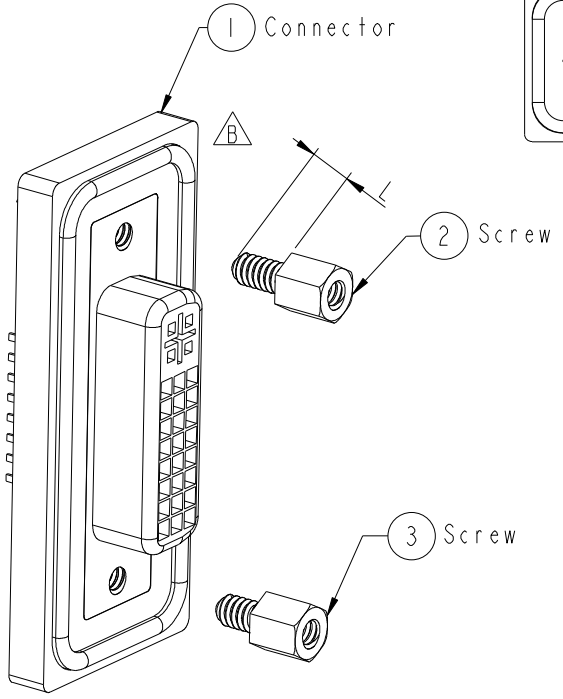
Screw L=6.0 For Panel Thickness
Between 1.2~2.0mm
適用板厚為 1.2~2.0mm



Recommended Panel Cut-Out
建議挖孔尺寸

Note:

- * \varnothing Important Dimension.
- * Waterproof Rate : IP68
IP68: 1M of depth of water 24 hours
(防水等級: IP68)
(IP68: 1米水深 24 小時)
- * Do Mating Test After Glued
點膠後, 須作對插測試
- * Add glue can't highly exceed pin
(點膠高度不得蓋過 pin 針)
- △ * DVI Conn. : Black Core , Nylon66
- * Plastic Jacket : Black , Nylon+GF
- △ * Pin : Copper Alloy , Gold Plated
- * Ring : Light Blue, Silicone
- △ * Screw : Copper Alloy, Nickel Plated, #4-40 UNC



UNIT: mm	\varnothing	∇
TOLERANCE		
.X	±0.25	
.XX	±0.1	
.XXX	±0.05	
ANGLES	±1°	

TITLE Female DVI Connector(24+1)			
SCALE 1:1	SIZE A4	SHEET 1 OF 1	
REV. C	WC-REV. A.6	\varnothing : Inspection item	

Amphenol LTW
安費諾亮泰企業股份有限公司

ITEM NO DDD-25PFFS-SL8001	DRAWN BY SamChang	DATE 2013-08-02
DWG NO DDD-25PFFS-SL8001	CHECKED BY Rita	DATE 2013-08-02
CUSTOMER ALTW	APPROVED BY Maslow	DATE 2013-08-02