



Chipsmall Limited consists of a professional team with an average of over 10 year of expertise in the distribution of electronic components. Based in Hongkong, we have already established firm and mutual-benefit business relationships with customers from,Europe,America and south Asia,supplying obsolete and hard-to-find components to meet their specific needs.

With the principle of “Quality Parts,Customers Priority,Honest Operation,and Considerate Service”,our business mainly focus on the distribution of electronic components. Line cards we deal with include Microchip,ALPS,ROHM,Xilinx,Pulse,ON,Everlight and Freescale. Main products comprise IC,Modules,Potentiometer,IC Socket,Relay,Connector.Our parts cover such applications as commercial,industrial, and automotives areas.

We are looking forward to setting up business relationship with you and hope to provide you with the best service and solution. Let us make a better world for our industry!



Contact us

Tel: +86-755-8981 8866 Fax: +86-755-8427 6832

Email & Skype: info@chipsmall.com Web: www.chipsmall.com

Address: A1208, Overseas Decoration Building, #122 Zhenhua RD., Futian, Shenzhen, China



REFERENCE SPECIFICATIONS

-NFC 93425 (in compliance with HE 507)

PHYSICAL CHARACTERISTICS

- INSULATOR MATERIAL: THERMOPLASTIC UL94V0
- CONTACT MATERIAL: PHOSPHOR BRONZE (signal contact)
GOLD OVER NICKEL
- ACCESSORIES: STAINLESS STEEL or BRASS
Cadmium plated, yellow passivation
- SHELLS: STEEL
Cadmium plated, yellow passivation

ELECTRICAL CHARACTERISTICS

- NOMINAL CURRENT: 7.5A
- CONTACT RESISTANCE: <= 7.3 m ohms signal
- CONTACT/CONTACT : >=1000 V
- CONTACT/GROUND : >=1200 V
- INSULATION RESISTANCE: >=5000 MOhms

ENVIRONMENTAL CHARACTERISTICS

- CLIMATIC CATEGORY: 55/125/21
TEMPERATURE RANGE -55°C TO +125°C
DAMP HEAT STEADY STATE 56 DAYS
SALT SPRAY 48 HOURS

MECHANICAL CHARACTERISTICS

- RETENTION AGAINST TORQUE: - Threaded insert: 0.7 N.m minimum
- Female screw : 0.5 N.m minimum

DBML13W3S043N

Series ←

Shell size: **E A B C D** ←
see sheet 3

M :characteristic
for the DM series

Front accessory definition
see sheet 2

Blank :without accessory

O :threaded insert M3

L :threaded insert UNC 4-40

V :female screw UNC 4-40

F :floating mounting

Layout of contacts ←

Contacts ←

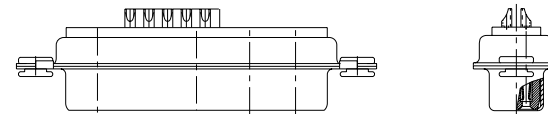
S :Socket

Plating ←

Blank solder bucket 500 matings/unmatings

043 solder bucket 500 matings/unmatings for harsh environment

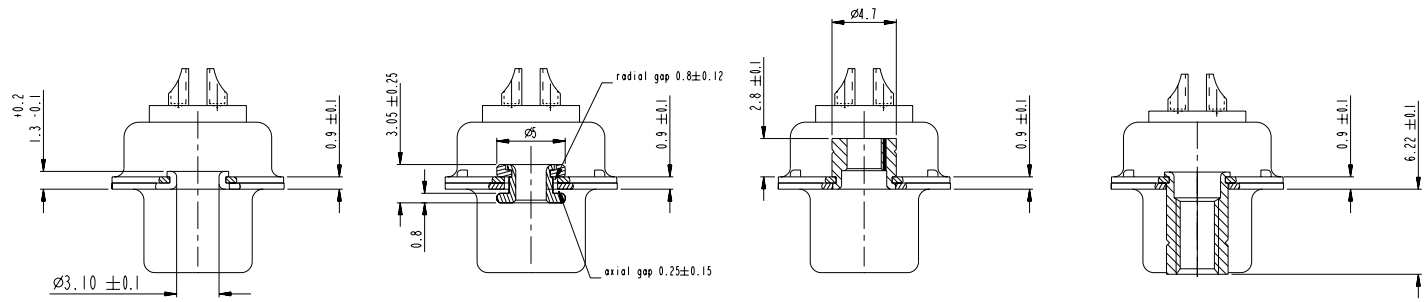
N :obligatory indication for HE 507 series ←



13W3 FOR EXAMPLE

| | | | | | | | | |
|--------------------|----------|------------|------|---------------------------------------|------------------|---------------------------|---------------|-------|
| www.fciconnect.com | | | | surface | tolerance std | projection | mm | |
| | | | | ISO 1302 | ISO 406 ISO 1101 | ⊕ | ←→ | |
| | | | | TOLERANCES UNLESS OTHERWISE SPECIFIED | | | | |
| | | | | ANGULAR | LINEAR | 0.X ±0.3 | size | Scale |
| | | | | ° ±2' | 0.xxx ±0.1 | A2 | 2:1 | |
| | | | | 0° ±2' | 0.xxx ±0.05 | ECN | LS07-0309 | |
| | | | | Product family | | - Spec ref | | |
| Dr | M PESSON | 2006/11/15 | Eng | P LEGARE | 2006/11/15 | SUB FEMALE DMW | | |
| Chr | P LEGARE | 2006/11/15 | Chr | P LEGARE | 2006/11/15 | mixed power+solder bucket | | |
| Appr | P LEGARE | 2006/11/15 | Appr | P LEGARE | 2006/11/15 | catalog no | | |
| | | | | | | ang no | C01-8637-1753 | |
| | | | | | | Rev. | C | |
| | | | | | | CUSTOMER | sheet 1 of 7 | |

Copyright FCi.



| | | | | |
|-----------------|----------------------|----------------------------|--|--------------------------------|
| FRONT ACCESSORY | Blank without | F floating mounting | L insert M3 O insert UNC 4.40 | V female screw UNC 4.40 |
|-----------------|----------------------|----------------------------|--|--------------------------------|

| PART NUMBER | FRONT ACCESSORY |
|--------------|-------------------|
| D*MxWxSN | without |
| D*MFxWxSN | Floating mounting |
| D*MLxWxSN | insert M3 |
| D*MOxWxSN | insert UNC 4.40 |
| D*MVxWxSN | female screw |
| D*MxWxS043N | without |
| D*MFxWxS043N | Floating mounting |
| D*MLxWxS043N | insert M3 |
| D*MOxWxS03N | insert UNC 4.40 |
| D*MVxWxS043N | female screw |

shell size LAYOUTS

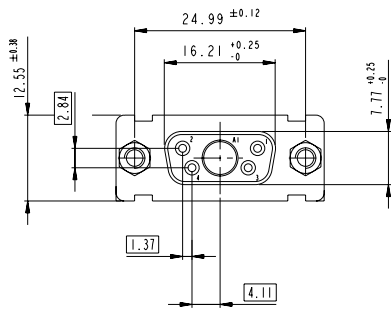
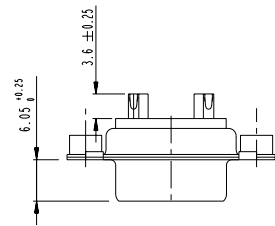
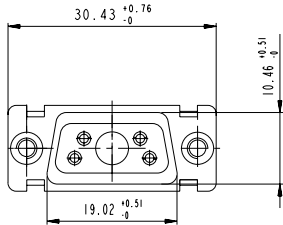
| | |
|---|-------|
| # | xWx |
| E | 5W1 |
| A | 11W1 |
| A | 7W2 |
| B | 21W1 |
| B | 17W2 |
| B | 13W3 |
| B | 9W4 |
| C | 25W3 |
| C | 21WA4 |
| C | 27W2 |
| D | 47W1 |
| D | 24W7 |
| D | 36W4 |

Copyright fci. fci

| | | | | |
|--------------------|----------|---------------------------------------|-----------------------------------|----------------------|
| www.fciconnect.com | | surface - ISO 1302 | tolerance std ISO 406 ISO 1101 | projection mm |
| | | TOLERANCES UNLESS OTHERWISE SPECIFIED | | |
| Dr | M PESSON | 2006/11/15 | ANGULAR | 0.X ±0.3 |
| Eng | P LEGARE | 2006/11/15 | LINEAR | 0.xx ±0.1 |
| Chr | P LEGARE | 2006/11/15 | 0° ±2' | 0.xxx ±0.05 |
| Appr | P LEGARE | 2006/11/15 | Product family | Spec ref |
| SUB FEMALE DMW | | mixed power+solder bucket | | ang no C01-8637-1753 |
| catalog no | | CUSTOMER | | sheet 2 of 7 |

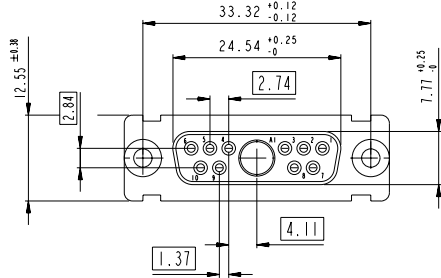
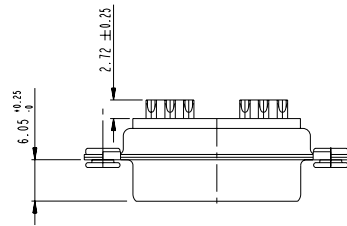
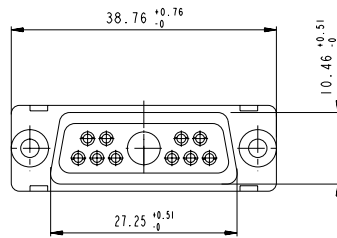
SCALE: 4

5W1

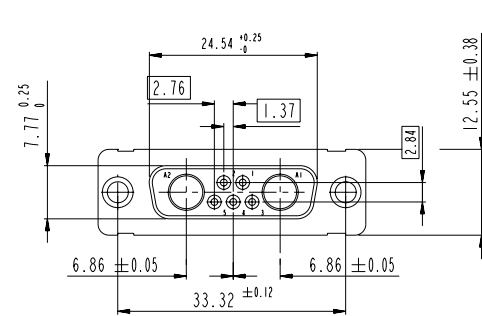
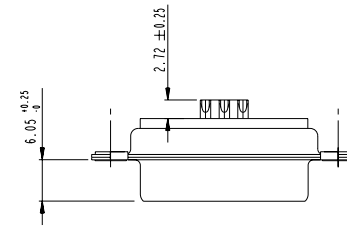
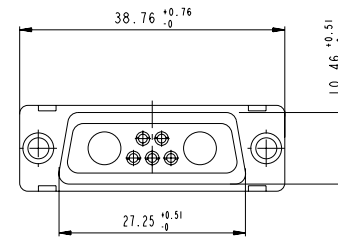


Floating signal contacts

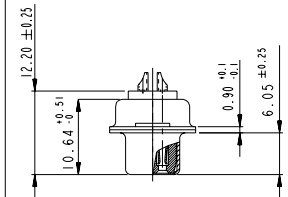
11W1



7W2



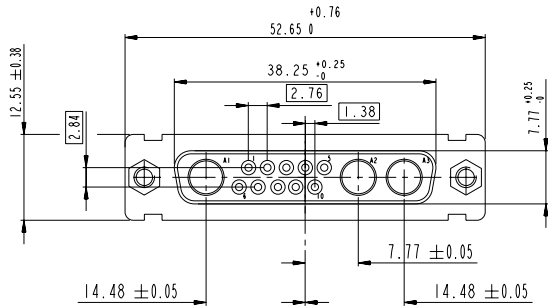
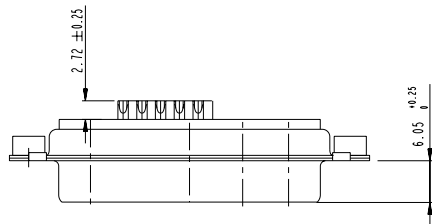
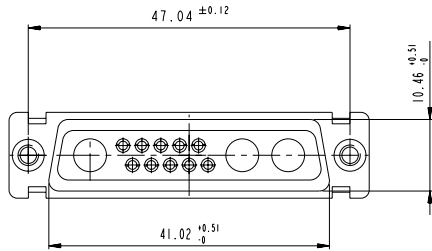
SIDE VIEW FOR LAYOUTS: E A B C



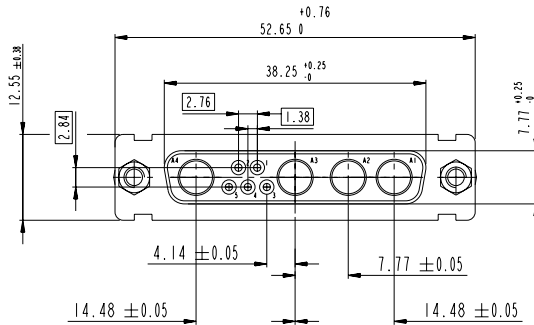
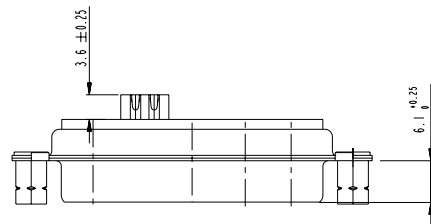
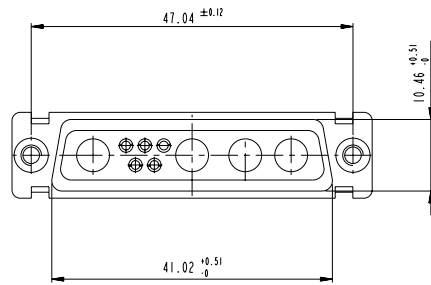
Copyright fci

| | | | | |
|---------------------------|------------|---------------------------------------|-----------------------------------|---------------------------|
| www.fciconnect.com | | surface - ISO 1302 | tolerance std ISO 406 ISO 1101 | projection mm |
| | | TOLERANCES UNLESS OTHERWISE SPECIFIED | | |
| Dr M PESSON | 2006/11/15 | ANGULAR | 0.X ±0.3 | size A2 Scale 2:1 |
| Eng P LEGARE | 2006/11/15 | LINEAR | 0.XX ±0.1 | ECN LS07-0309 |
| Chr P LEGARE | 2006/11/15 | Ø ±0.2 | 0.XXX ±0.05 | Product family - Spec ref |
| Appr P LEGARE | 2006/11/15 | Product family | | Rev. C |
| SUB FEMALE DMW | | C01-8637-1753 | | sheet 3 of 7 |
| mixed power+solder bucket | | CUSTOMER | | |
| catalog no | | | | |

13W3

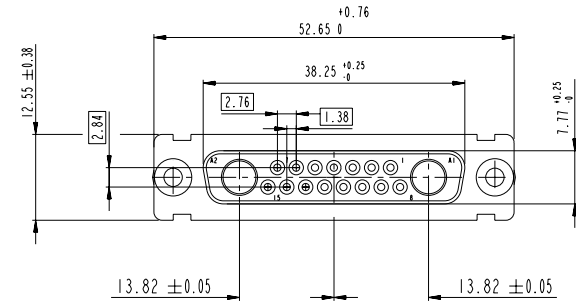
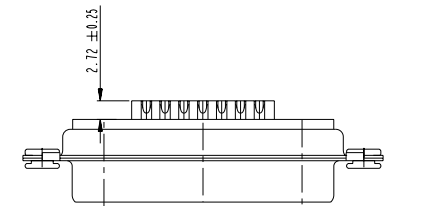
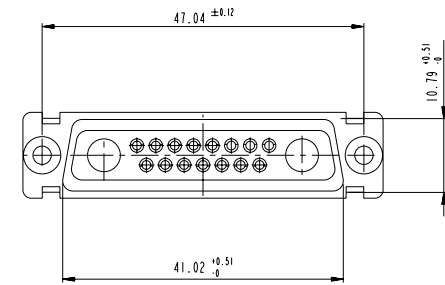


9W4



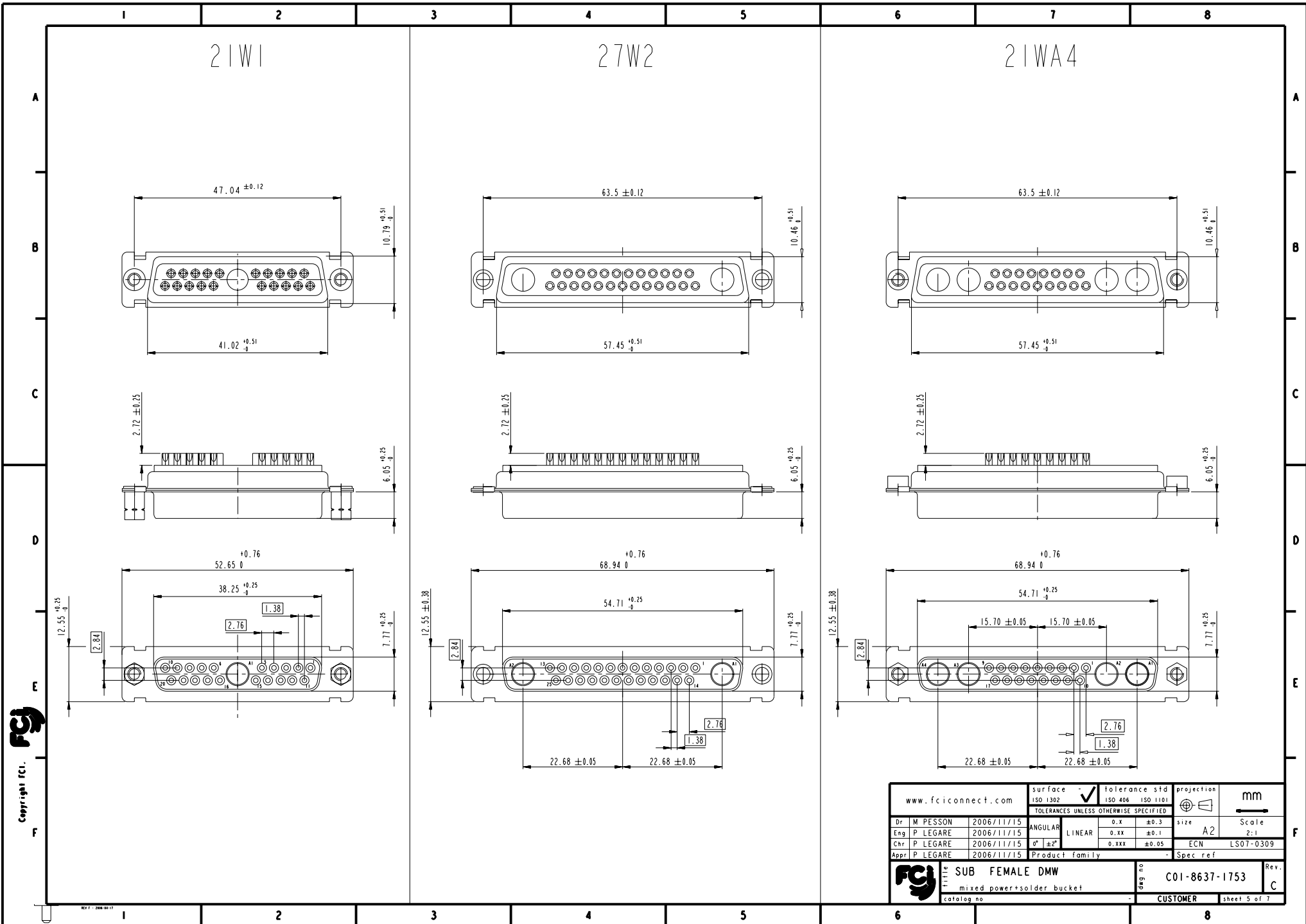
Floating signal contacts

17W2



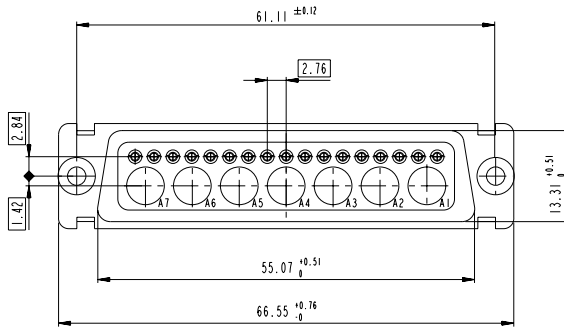
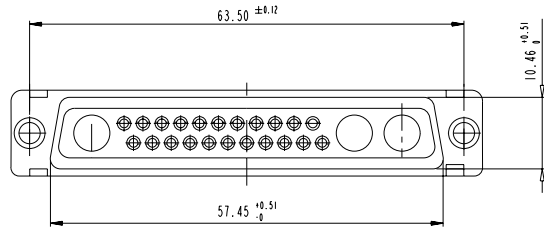
Copyright fci. FCI

| | | | | |
|--------------------|------------|---------------------------------------|-----------------------------------|-------------------|
| www.fciconnect.com | | surface - ISO 1302 | tolerance std ISO 406 ISO 1101 | projection mm |
| | | TOLERANCES UNLESS OTHERWISE SPECIFIED | | |
| Dr M PESSON | 2006/11/15 | ANGULAR | 0.X ±0.3 | size A2 Scale 2:1 |
| Eng P LEGARE | 2006/11/15 | LINEAR | 0.XX ±0.1 | ECN LS07-0309 |
| Chr P LEGARE | 2006/11/15 | 0° ±2° | 0.XXX ±0.05 | Spec ref |
| Appr P LEGARE | 2006/11/15 | Product family | | |
| SUB FEMALE DMW | | mixed power+solder bucket | | Rev. C |
| catalog no | | C01-8637-1753 | | sheet 4 of 7 |

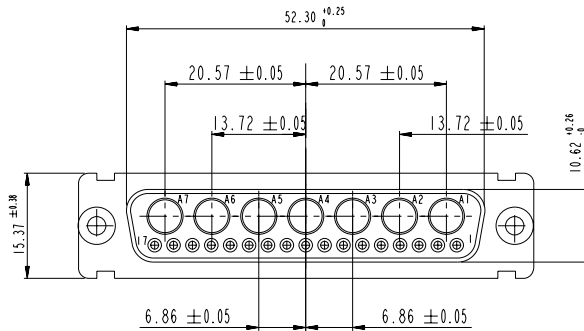
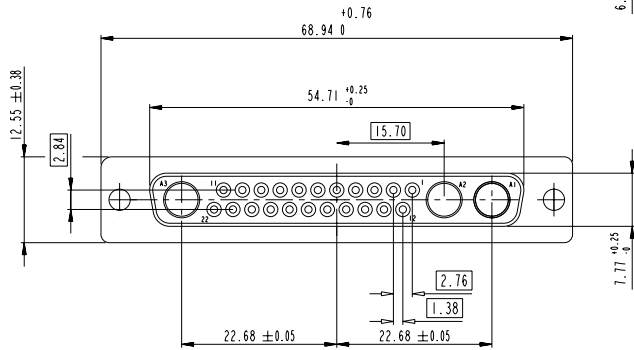
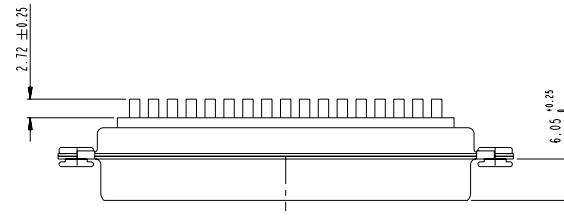
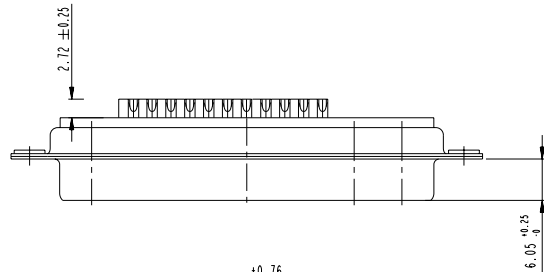
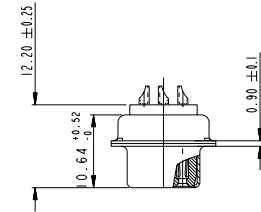


25W3

24W7

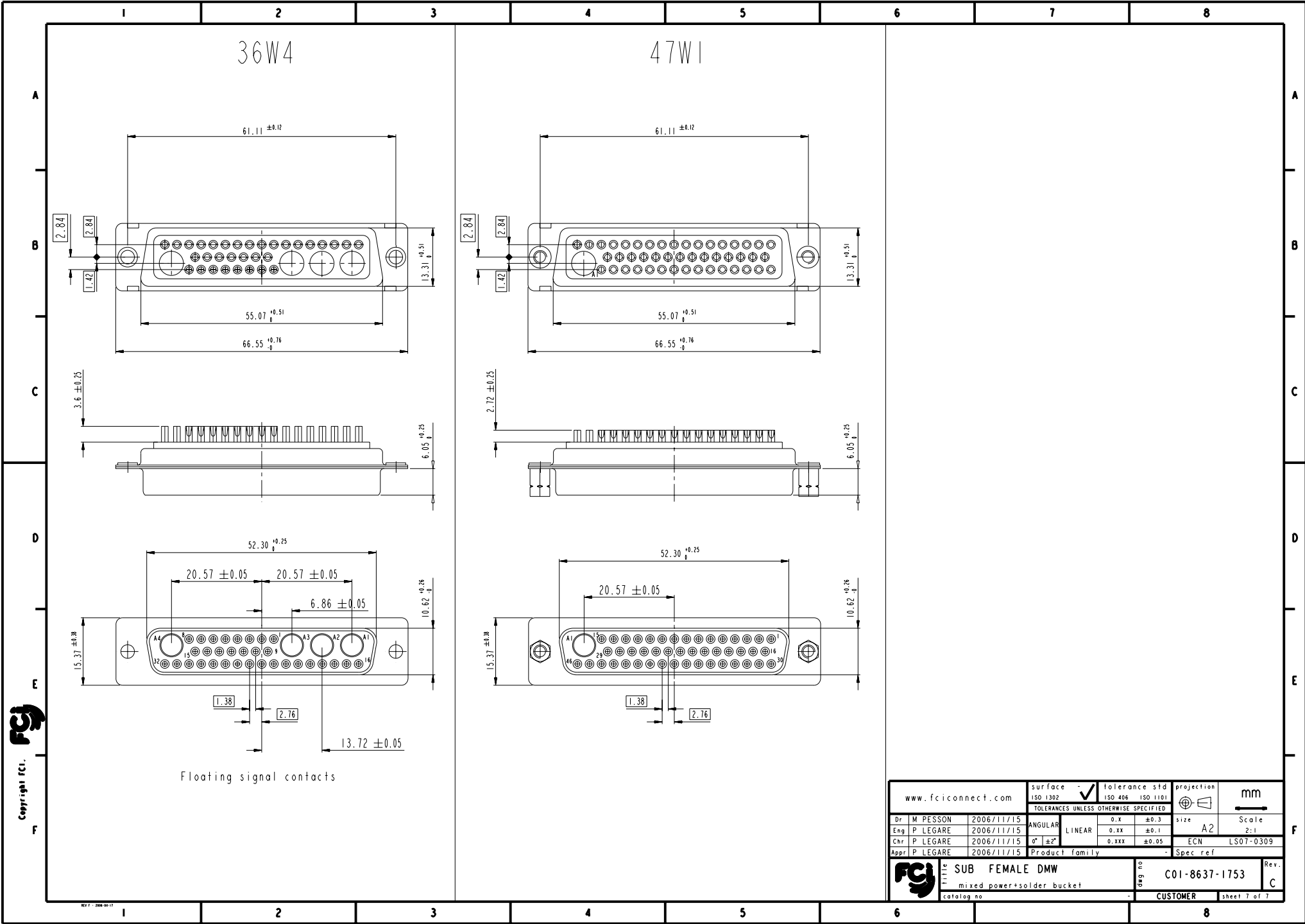


SIDE VIEW FOR LAYOUT: D



Copyright fci. FCJ

| | | | | |
|--|----------|---------------------------------------|-----------------------------------|------------------|
| www.fciconnect.com | | surface ISO 1302 | tolerance std ISO 406 ISO 1101 | projection mm |
| | | TOLERANCES UNLESS OTHERWISE SPECIFIED | | |
| Dr | M PESSON | 2006/11/15 | ANGULAR | 0.X ±0.3 |
| Eng | P LEGARE | 2006/11/15 | LINEAR | 0.XX ±0.1 |
| Chr | P LEGARE | 2006/11/15 | 0° ±2° | 0.XXX ±0.05 |
| Appr | P LEGARE | 2006/11/15 | Product family | Spec ref |
| TITLE SUB FEMALE DMW mixed power+solder bucket catalog no | | Rev. no C01-8637-1753 | | Rev. C |
| CUSTOMER | | | sheet 6 of 7 | |



Floating signal contacts

Copyright fci.

| | | | | |
|--------------------|------------|---------------------------------------|-----------------------------------|-------------------|
| www.fciconnect.com | | surface - ISO 1302 | tolerance std ISO 406 ISO 1101 | projection mm |
| | | TOLERANCES UNLESS OTHERWISE SPECIFIED | | |
| Dr M PESSON | 2006/11/15 | ANGULAR | 0.X ±0.3 | size A2 Scale 2:1 |
| Eng P LEGARE | 2006/11/15 | LINEAR | 0.XX ±0.1 | ECN LS07-0309 |
| Chr P LEGARE | 2006/11/15 | ° ±2' | 0.XXX ±0.05 | |
| Appr P LEGARE | 2006/11/15 | Product family | - | Spec ref |
| SUB FEMALE DMW | | mixed power+solder bucket | | Rev. C |
| catalog no | | CUSTOMER | | sheet 7 of 7 |