



Chipsmall Limited consists of a professional team with an average of over 10 year of expertise in the distribution of electronic components. Based in Hongkong, we have already established firm and mutual-benefit business relationships with customers from,Europe,America and south Asia,supplying obsolete and hard-to-find components to meet their specific needs.

With the principle of “Quality Parts,Customers Priority,Honest Operation,and Considerate Service”,our business mainly focus on the distribution of electronic components. Line cards we deal with include Microchip,ALPS,ROHM,Xilinx,Pulse,ON,Everlight and Freescale. Main products comprise IC,Modules,Potentiometer,IC Socket,Relay,Connector.Our parts cover such applications as commercial,industrial, and automotives areas.

We are looking forward to setting up business relationship with you and hope to provide you with the best service and solution. Let us make a better world for our industry!



Contact us

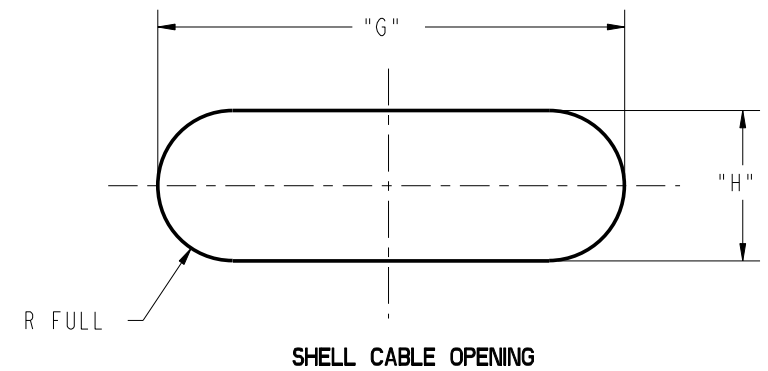
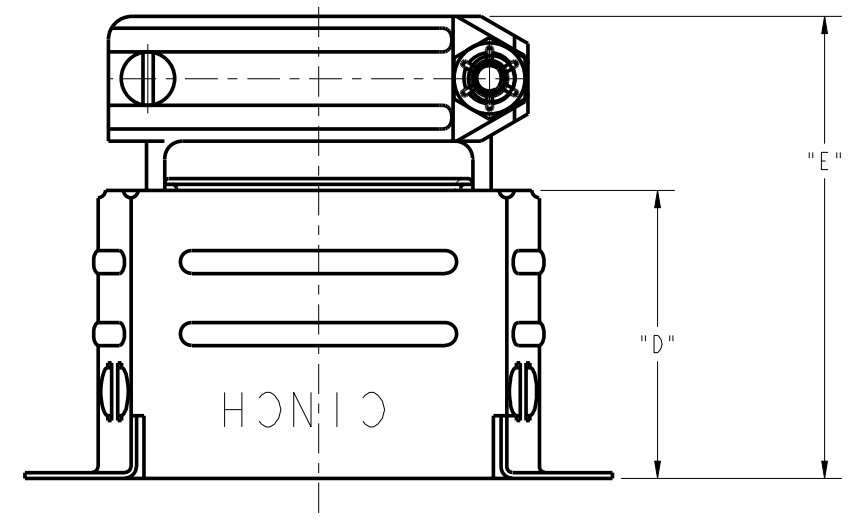
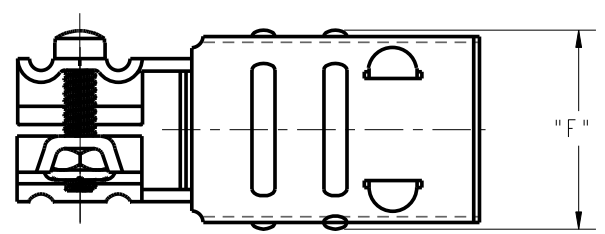
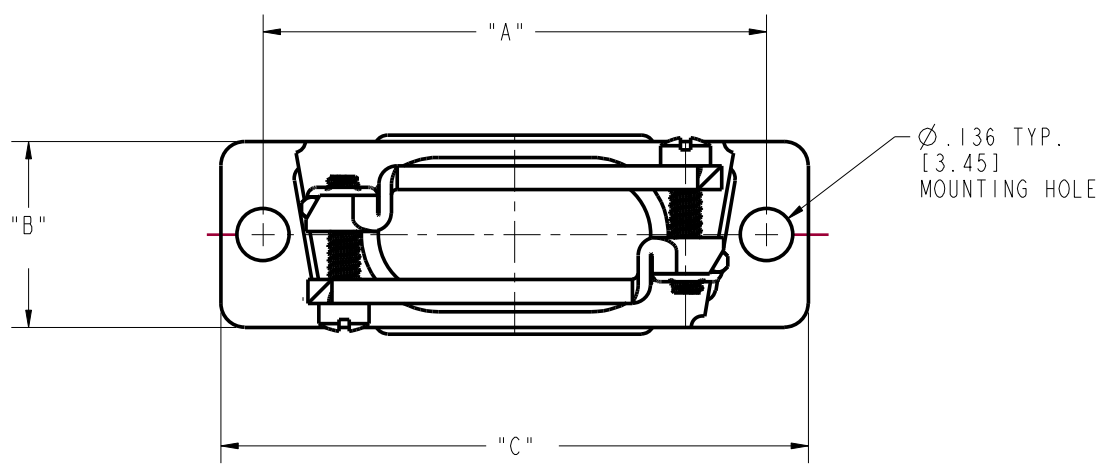
Tel: +86-755-8981 8866 Fax: +86-755-8427 6832

Email & Skype: info@chipsmall.com Web: www.chipsmall.com

Address: A1208, Overseas Decoration Building, #122 Zhenhua RD., Futian, Shenzhen, China



DRAWING REVISIONS			
REV	DOCUMENT	APP	DATE
A	DO 05-1094		



- NOTES:
- MATERIALS:
 - SHELL: STEEL, PLATING ZINC WITH CLEAR CHROMATE.
 - CLAMP: STEEL, PLATING ZINC WITH CLEAR CHROMATE.
 - SCREW: STEEL, PLATING ZINC WITH CLEAR CHROMATE.
 - NUT: BRASS OR STEEL, PLATING ZINC WITH CLEAR CHROMATE.
 - DIMENSIONS IN [] ARE IN MILLIMETERS.

CATALOG NUMBER	PART NUMBER	DIM "A"	DIM "B"	DIM "C"	DIM "D"	DIM "E"	DIM "F"	DIM "G"	DIM "H"
DE-24657-30	702 49 09 005	.984 [24.99]	.484 [12.29]	1.203 [30.56]	.750 [19.05]	1.219 [30.96]	.578 [14.68]	Ø .375 HOLE [9.53]	
DA-24658-31	702 49 15 005	1.312 [33.32]		1.531 [38.89]		1.250 [31.75]		.719 [18.26]	.312 [7.92]
DB-24659-32	702 49 25 005	1.852 [47.04]		2.078 [52.78]	1.531 [38.89]	1.000 [25.40]			
DC-24660-33	702 49 37 005	2.500 [63.50]		2.719 [69.06]	1.000 [25.40]	1.375 [34.93]			
DD-24661-34	702 49 50 005	2.406 [61.11]		.594 [15.09]	2.625 [66.68]	1.110 [28.19]		1.656 [42.06]	.687 [17.45]

ROHS COMPLIANT

UNITS	ENGLISH	PRO/E	MODELED BY: V.SKUZA
DO NOT SCALE DRAWING	DRAWN BY V.SKUZA	DATE 5/11/05	TITLE JUNCTION SHELL DEEP STRAIGHT SHELL AND CLAMP ASS'Y
THIS DOCUMENT IS THE PROPERTY OF CINCH. NEITHER THIS DOCUMENT NOR ANY OF THE INFORMATION CONTAINED IN IT MAY BE DUPLICATED OR DISCLOSED WITHOUT PRIOR WRITTEN CONSENT OF CINCH.	DESIGN ENGINEER A.BALI	5/11/05	MATERIAL CONTROL SPEC NUMBER
	DESIGN ENGINEERING MGR.		MATERIAL SPEC NUMBER FINISH PROJECT NUMBER C14716
	MFG. ENGINEERING A.SAUSKAS	5/31/05	CAD FILE NUMBER DX-246XX-3X
	QUALITY ASSURANCE A.VAZQUEZ	5/31/05	DRAWING NUMBER D*-246XX-3X
		71785	SCALE 2:1
		B	SHEET 1 OF 1