



Chipsmall Limited consists of a professional team with an average of over 10 year of expertise in the distribution of electronic components. Based in Hongkong, we have already established firm and mutual-benefit business relationships with customers from,Europe,America and south Asia,supplying obsolete and hard-to-find components to meet their specific needs.

With the principle of "Quality Parts,Customers Priority,Honest Operation,and Considerate Service",our business mainly focus on the distribution of electronic components. Line cards we deal with include Microchip,ALPS,ROHM,Xilinx,Pulse,ON,Everlight and Freescale. Main products comprise IC,Modules,Potentiometer,IC Socket,Relay,Connector.Our parts cover such applications as commercial,industrial, and automotives areas.

We are looking forward to setting up business relationship with you and hope to provide you with the best service and solution. Let us make a better world for our industry!



Contact us

Tel: +86-755-8981 8866 Fax: +86-755-8427 6832

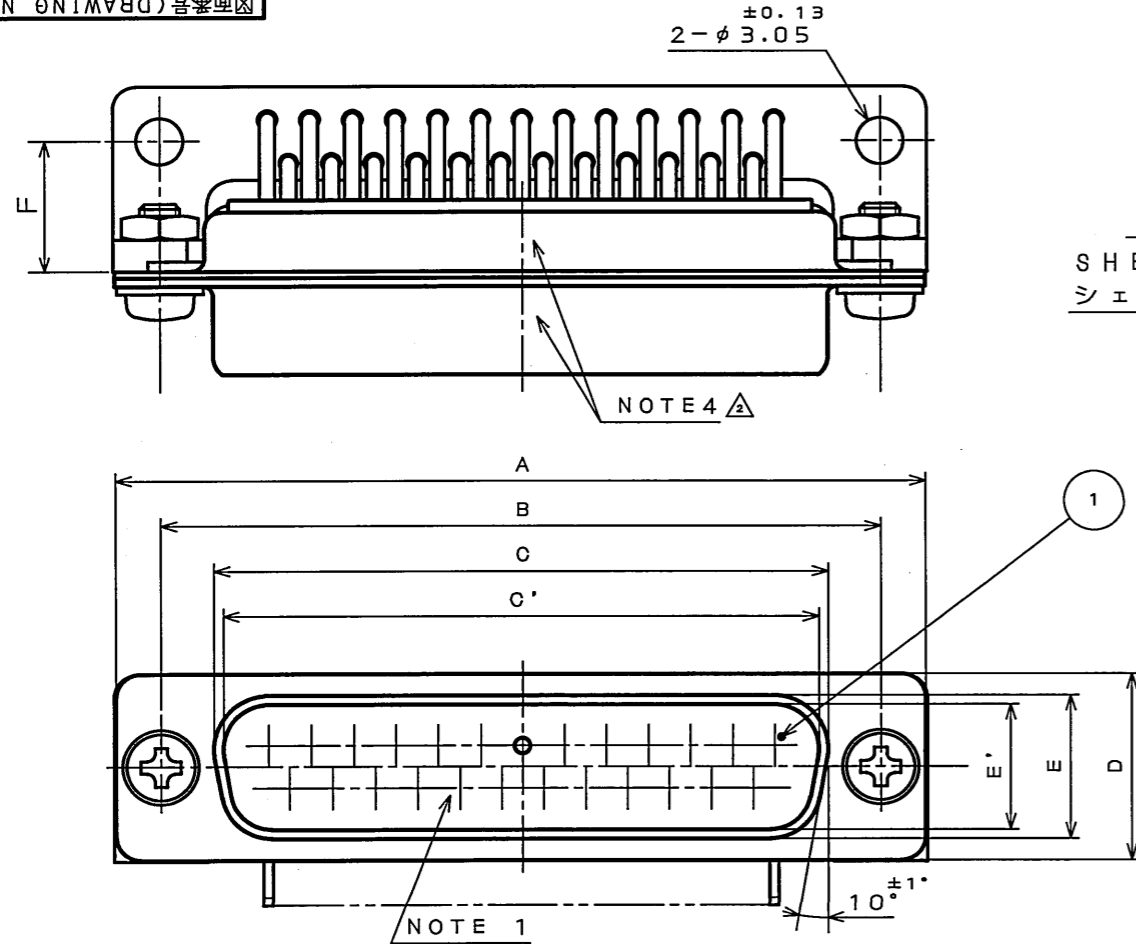
Email & Skype: info@chipsmall.com Web: www.chipsmall.com

Address: A1208, Overseas Decoration Building, #122 Zhenhua RD., Futian, Shenzhen, China



LZ0E01PS

('ON NIMVW)各要図



DESIGNATION

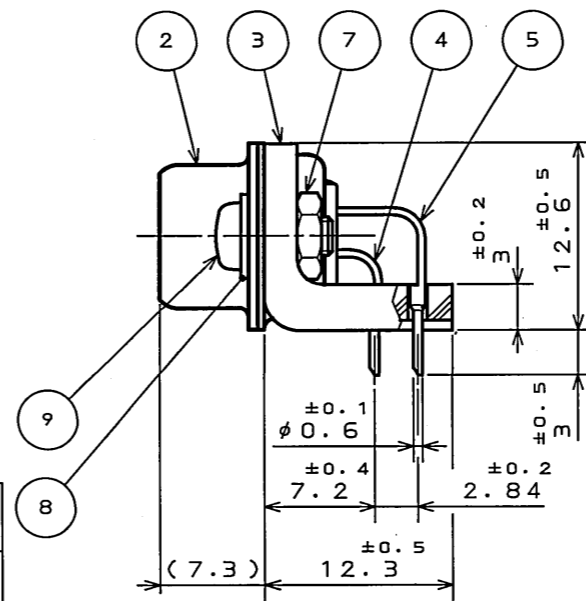
命名法

D※-*※A-NR
 SERIES シリーズ
 SHELL SIZE シェルサイズ
 MODIFICATION CODE 特殊記号
 CONTACT TYPE (S: SOCKET, P: PIN) コンタクト区分
 CONTACT ARRANGEMENT コンタクト配列

版数 REV.	年月日 DATE	DCN NO.	変更内容 DESCRIPTION	製図 DR.	担当 CHK.	査閲 APPD.	承認 APPD.
2	13.Oct.2005	058374	REVISED NOTE4		Y.TAKAGI	A.TA00	Y.KUBOTA
3	16.May.2008	065705	CORRECT AN ERROR		Y.TAKAGI	<i>P. Takagi</i>	<i>J. Otsuka</i>

VIEW OF DA, DB DC DE SIZES

DA、DB、DC、DEの場合



VIEW OF DD SIZE

DDの場合

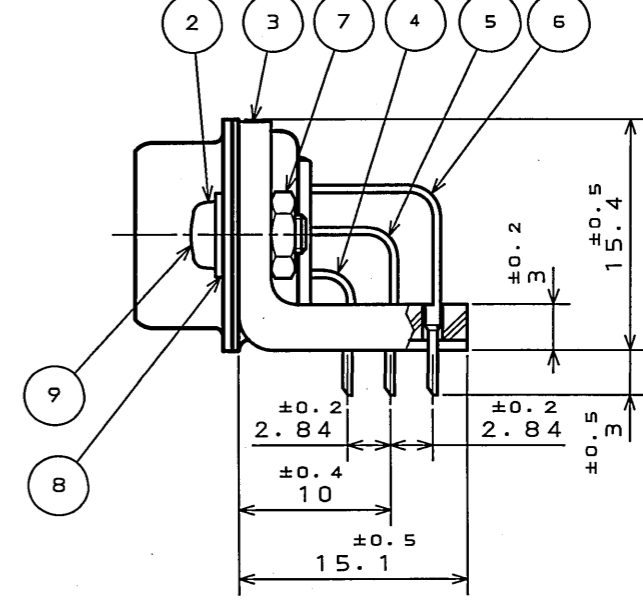


TABLE 1

PART NUMBER	DIMENSION IN MILLIMETERS								NUMBER OF CONTACTS コンタクト本数		
	±0.5 A	±0.13 B	±0.25 C	±0.25 C'	±0.25 D	±0.25 E	±0.25 E'	±0.25 F	#1	#2	#3
DE-9PA-NR	31.1	24.99	—	16.90	12.6	—	8.34	8.64	4	5	—
DE-9SA-NR	31.1	24.99	16.26	—	12.6	7.82	—	8.64	4	5	—
DA-15PA-NR	39.4	33.32	—	25.24	12.6	—	8.34	8.64	7	8	—
DA-15SA-NR	39.4	33.32	24.59	—	12.6	7.82	—	8.64	7	8	—
DB-25PA-NR	53.1	47.04	—	39.01	12.6	—	8.40	8.64	12	13	—
DB-25SA-NR	53.1	47.04	38.30	—	12.6	7.82	—	8.64	12	13	—
DC-37PA-NR	69.6	63.50	—	55.47	12.6	—	8.40	8.64	18	19	—
DC-37SA-NR	69.6	63.50	54.76	—	12.6	7.82	—	8.64	18	19	—
DD-50PA-NR	67.2	61.11	—	52.86	15.4	—	11.16	10.03	17	16	17
DD-50SA-NR	67.2	61.11	55.47	—	15.4	10.65	—	10.03	17	16	17

NOTE1. MARK THE COMPANY NAME AND ABBREVIATED PART NUMBER AT THE LOCATION SHOWN IN THE DRAWING.

2.FOR APPLICABLE P.C.B. DIMENSION,SEE DWG.NO.SJ014290.

3.THIS DRAWING SHOWS NUMBER OF CONTACTS 25. FOR CONTACT ARRANGEMENT,SEE DWG.NO.SJ010210.

4.LOT NUMBER AT THE LOCATION SHOWN IN THE DRAWING. MARKING LOCATION IS SHOWN ON THE FRONT SHELL FACE FOR SOCKET SIDE,ON THE REAR SHELL FACE FOR PIN SIDE.

注1. 図示の位置に社名及び、品名略称を表示する。

2. 本製品の基板取付寸法SJ014290を参照のこと。

3. 本図のコンタクト配列は、25芯の場合を示す。その他の配列についてはSJ010210を参照のこと。

4. 図示の位置にロット番号を表示する。表示位置はソケット側がフロントシェル面、ピン側はリアシェル面に表示されている。

符号 NO.	名称 DESCRIPTION	個数 QTY.	材料 MATERIAL	仕上 FINISH	備考 REMARKS
9	PAN HEAD MACHINE SCREW	2	STEEL		HEXAVALENT CHROMIUM FREE OHROMATE (TRIVALENT OHROMATE TREATMENT) ON ELECTROPLATED ZINC
8	SPRING WASHER	2	STEEL		HEXAVALENT CHROMIUM FREE OHROMATE (TRIVALENT OHROMATE TREATMENT) ON ELECTROPLATED ZINC
7	HEXAGON NUT	2	COPPER ALLOY		HEXAVALENT CHROMIUM FREE OHROMATE (TRIVALENT OHROMATE TREATMENT) ON ELECTROPLATED ZINC
6	CONTACT #3	TABLE1	COPPER ALLOY		GOLD OVER NICKEL PLATING
5	CONTACT #2	TABLE1	COPPER ALLOY		GOLD OVER NICKEL PLATING
4	CONTACT #1	TABLE1	COPPER ALLOY		GOLD OVER NICKEL PLATING
3	BRACKET	1	GLASS FILLED PBT	(COLOR: BLACK)	UL94V-0
2	SHELL	2	STEEL		HEXAVALENT CHROMIUM FREE OHROMATE (TRIVALENT OHROMATE TREATMENT) ON ELECTROPLATED ZINC
1	INSULATOR	2	GLASS FILLED PBT	(COLOR: BLACK)	UL94V-0

仕様書 (SPECIFICATION) JAOS-1045-5	第1版 (ORIGINAL DATE) 31.Mar.2005	尺度 (SCALE) 2:1	シリーズ (SERIES) Dsub	日本航空電子工業株式会社 JAPAN AVIATION ELECTRONICS INDUSTRY, LTD. 図面番号 (DRAWING NO.) SJ103071	版数 (REV.) 3
製図 DR.	担当 CHK. Y.TAKAGI	名称 (TITLE) D※-*※A-NR			
一般公差 (GENERAL TOLERANCE) 寸法 (DIMENSION) 角度 (ANGLES)	査閲 APPD.	質量 (MASS)			
. ± .X ± .XX ± .XXX ±	承認 APPD. Y.KUBOTA				

DOF-0-212F(05.08)